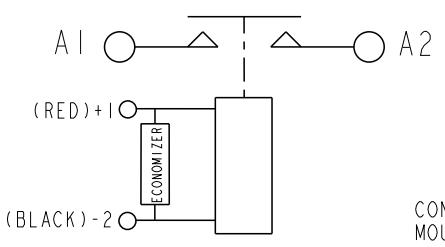
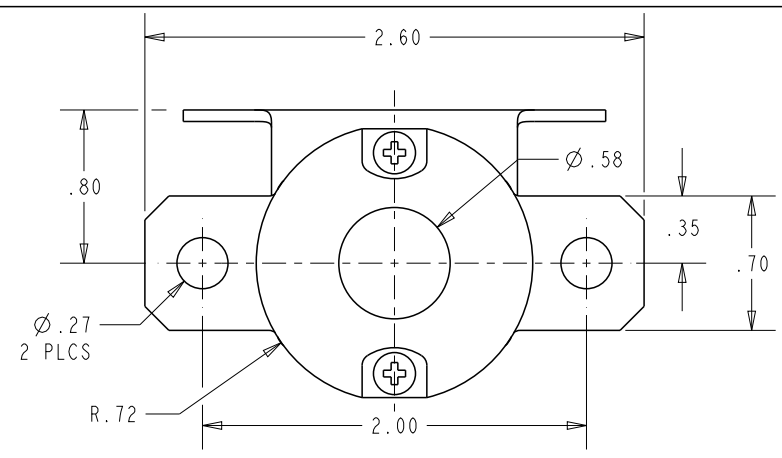


REVISIONS		RELEASED	APPROVED
REV.	DESCRIPTION	DATE	
A	RELEASED TO PRODUCTION	11-03-04	CB
B	11-012711 UPDATED VIEW OF WIRING HARNESS	11-06-06	CB
C	11-020414 WEIGHT WAS .31 LBS MAX	11-09-08	CB



CONSTRUCTION MOUNTING STYLE

GASKET SEALED CHASSIS MOUNT

MAIN CONTACTS CONFIGURATION VOLTAGE CURRENT RESISTIVE MOTORLOAD RUPTURE

SPST N.O. DOUBLE MAKE 28 VDC 200 AMPS 1200 AMPS 2000 AMPS

COIL DATA

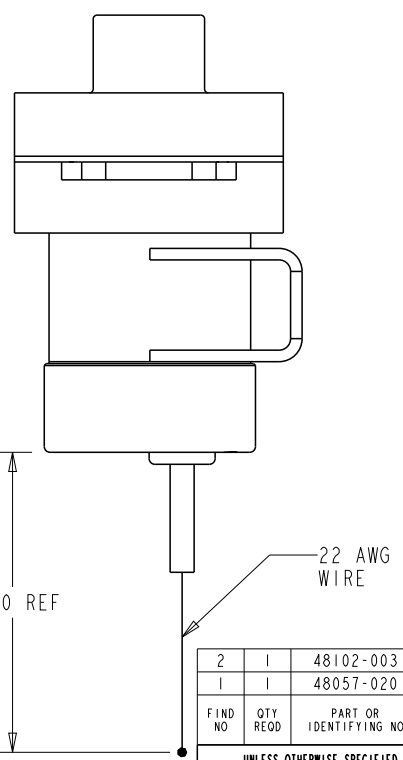
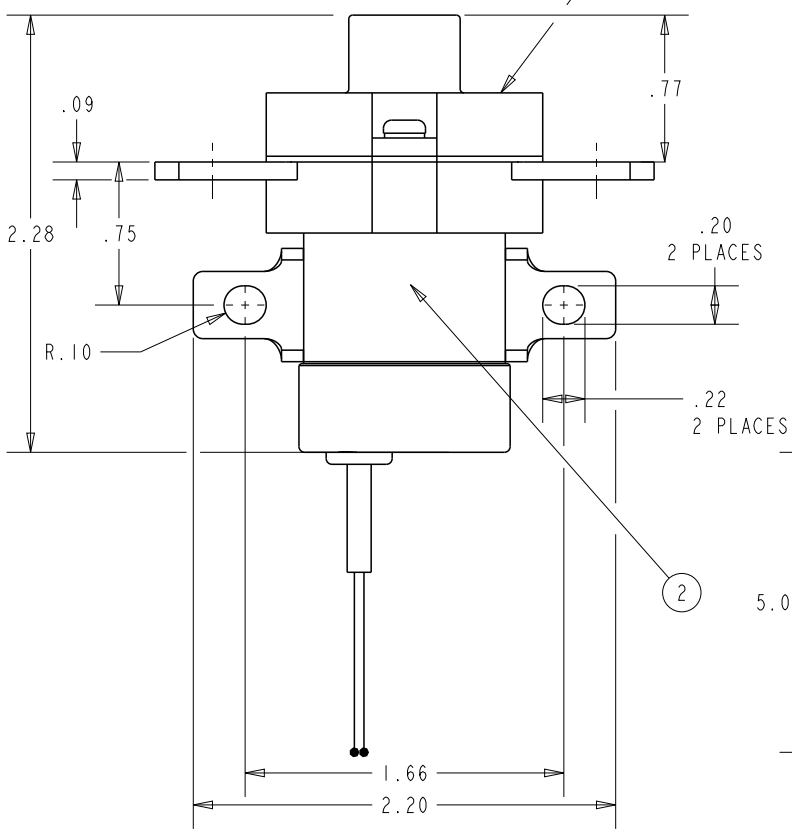
DUTY CYCLE CONTINUOUS(ECONOMIZED)
 NOM. OPERATE VOLTAGE 28 VDC
 PICKUP VOLTAGE 18 VDC MAX
 DROP VOLTAGE 1-9 VDC
 PICKUP TIME 15 mS
 DROPOUT TIME 15 mS
 COIL CURRENT 5 AMPS MAX AT 28 VDC & 25°C
 INRUSH HOLDING SUPPRESSION 300 mA MAX AT 28 VDC & 25°C ±45 VDC

ENVIRONMENTAL DATA TEMPERATURE ALTITUDE

-55°C TO +85°C 50,000 FEET

LIFE ELECTRICAL LIFE MECHANICAL WEIGHT

50,000 CYCLES MIN. 100,000 CYCLES MIN. .33 LBS MAX



2	1	48102-003	NAME PLATE			8-1616974-4	
1	1	48057-020	PRIMARY ASSEMBLY - K200A1C			2-1616971-0	
FIND NO	QTY RECD	PART OR IDENTIFYING NO	NOMENCLATURE OR DESCRIPTION	DRAWING OR SPECIFICATION	FSCM NO	TE PART NO	MATERIAL OR NOTE

UNLESS OTHERWISE SPECIFIED DIMENSIONS ARE IN INCHES TOLERANCES ON 2 PL DEC. 13 PL DEC. ANGLES ±.06 ±.010 ± 1°

DR BY	KL	08-02-04
CHK BY	CB	11-03-10
ENGR	RSS	11-03-10
MFG	BH	11-03-10

STE
 Harman Division 175 N. DIAMOND STREET MANSFIELD, OHIO 44902

CONTACTOR-SPST NO DB
 200 AMP, 28 VDC

SIZE	CODE IDENT
A	74063
SCALE 1:1	SHEET 1 OF 1

DWG NO. K200A1C
 REF TE PN 5-1616970-9