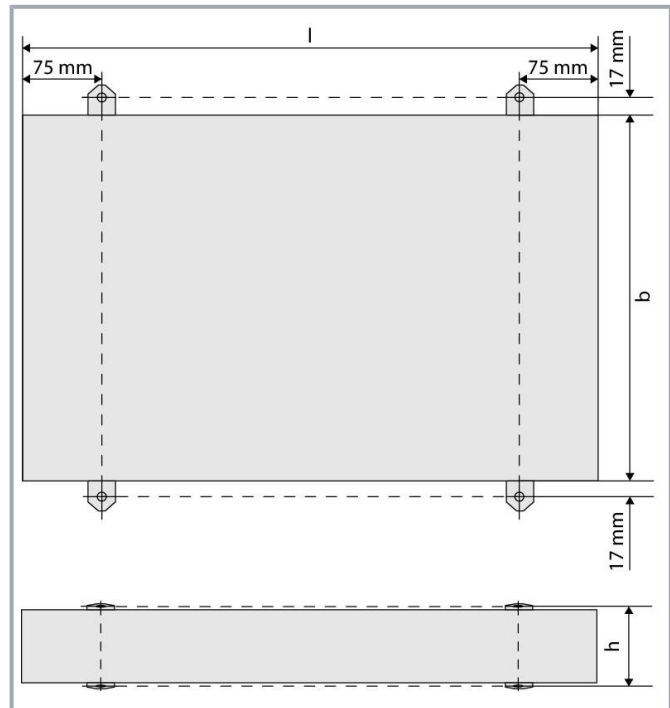
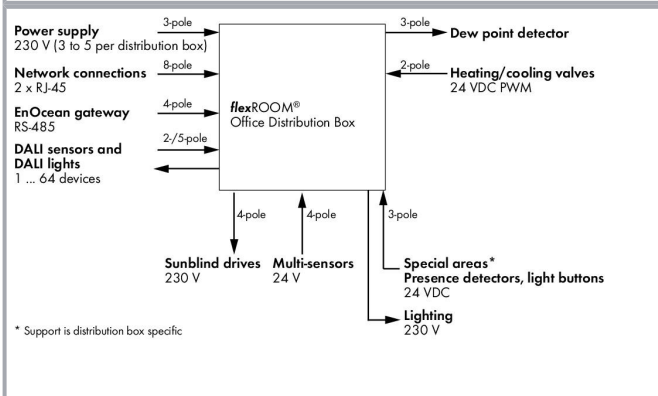


**i** Picture differs from the item.



Subject to changes. Please also observe the further product documentation!

WAGO Kontakttechnik GmbH & Co. KG  
 Hansastr. 27  
 32423 Minden  
 Phone: +49571 887-0 | Fax: +49571 887-169  
 Email: [info.de@wago.com](mailto:info.de@wago.com) | Web: [www.wago.com](http://www.wago.com)

Do you have any questions about our products?  
 We are always happy to take your call at +49 (571) 887-44222.



## Item description

The **flexROOM**<sup>®</sup> Office Distribution Boxes support the automation of both commercial and functional buildings (offices) with floor plans based on a room axis concept. The boxes automate both lighting and sun protection, while performing single-room control (heating/cooling) for up to 24 room axes. In addition to the room axes, special areas (e.g., stairways, corridors, sanitary facilities) may be automated via specialty **flexROOM**<sup>®</sup> Distribution Boxes.

Control is performed via WAGO 750-884 Application Controller, which is included in the **flexROOM**<sup>®</sup> Distribution Box and preloaded with a **flexROOM**<sup>®</sup> Office Application. Initial commissioning (IP address assignment via BootP server) can be performed via WAGOupload PC software.

A standard Web browser performs both initial room axis configuration and later reconfiguration directly on the distribution box's controller.

Several **flexROOM**<sup>®</sup> Distribution Boxes can be combined into a network via ETHERNET. A standard Web browser also establishes communication between the distribution boxes. A **flexROOM**<sup>®</sup> Distribution Box for weather stations can transmit weather data (e.g., outside temperature or wind alarms) to other **flexROOM**<sup>®</sup> Distribution Boxes for further processing.

For the connection of higher-level management stations, each **flexROOM**<sup>®</sup> Distribution Box provides data in MODBUS tables, that can be read and partly be written by the stations. Configuration data of the **flexROOM**<sup>®</sup> Distribution Boxes can cyclically be saved either directly on the included controller or on a separate computer.

The **flexROOM**<sup>®</sup> Distribution Box is equipped with WAGO WINSTA<sup>®</sup> Connection Technology. The **flexROOM**<sup>®</sup> Distribution Boxes differ from each other in the number of room axes, the support of specialty application areas, various functions depending on the inputs and outputs used.

## Data

### Technical data

Visualization	Web Visu
Baud rate	10/100 Mbit/s
Transmission medium	Twisted Pair S-UTP; 100 Ω; Cat. 5; 100 m maximum cable length
Transmission performance	Class D per EN 50173
Switching current	<b>Sunblind drives:</b> 1.5 A at 230 VAC; <b>Lighting (DALI):</b> 16 A (max.) in total; <b>Heating/cooling valves:</b> 250 mA; <b>Lighting (relays):</b> 16 A (max.) in total with DALI lighting fixtures
Switching voltage range	<b>Sunblind drives:</b> ±10 %; <b>Lighting (DALI):</b> ±10 %; <b>Lighting (relays):</b> ±10 %
Switching power	<b>Sunblind drives:</b> 300 W (AC3); <b>Lighting (DALI):</b> 3600 VA in total; <b>Heating/cooling valves:</b> 6 W (temporary), 3 W (average); <b>Lighting (relays):</b> 3600 VA in total with DALI lighting fixtures
Power supply	230 VAC, 50 ... 60 Hz
Short-circuit-protected	No

Subject to changes. Please also observe the further product documentation!



## Connection data

Connection technology: communication/fieldbus	EtherNet/IP™: 2 x RJ-45; Modbus TCP/UDP: 2 x RJ-45
Connection technology: supply	1 x 3-pole snap-in plugs (WAGO Item 770-713)

## Physical data

Width	350 mm / 13.78 inch
Height from upper-edge of DIN-rail	120 mm / 4.724 inch
Depth	550 mm / 21.654 inch

## Mechanical data

Mounting type	Wall, screw mount
---------------	-------------------

## Material data

Fire load	39.719 MJ
Weight	9177.7 g

## Environmental requirements

Surrounding air temperature (operation)	-5 ... 45 °C
Surrounding air temperature (storage)	-20 ... 70 °C

## Commercial data

PU (SPU)	1 Stück
Packaging type	box

## Downloads

### Documentation

#### Manual

flexROOM®-Office-Verteiler T3 A8 Typ 3, 8 Achsen, ohne Sonderbereiche	V 1.0.2	pdf 1.8 MB	Download
flexROOM®-Office-Applikation Zur Konfiguration von Systemverteilern, die einen Applikationscontroller 750-884 enthalten	V 1.0.2	pdf 10.0 MB	Download

#### Quick-Start Guide

Subject to changes. Please also observe the further product documentation!



Schema für flexROOM®-Office-Verteiler 2854-0300/1008-0002		pdf 1.0 MB	Download
flexROOM Office-Verteiler Zubehörliste		pdf 165.7 kB	Download
Schnellstartanleitung flexROOM		pdf 479.3 kB	Download

**Bid Text**

Ausschreibungstext flexROOM-Office-Verteiler 2854-0300/1008-0002		doc 28.2 kB	Download
Systemtext_flexROOM.doc		doc 46.1 kB	Download
2854-0300/1008-0002 X81 - Datei	2014. 11. 20.	xml 4.3 kB	Download
Ausschreibungstexte zum Zubehör		zip 63.5 kB	Download
2854-0300/1008-0002 doc - Datei	2014. 11. 20.	doc 30.7 kB	Download
Leittext_flexROOM-Office Verteiler 2-Rohr-System.doc		doc 38.9 kB	Download

**Compatibility Information**

VDI3813-Liste flexROOM-Office-Verteiler 2854-0300/1008-0002		zip 46.9 kB	Download
---	--	----------------	----------

**Additional Information**

Disposal; Electrical and electronic equipment, Packaging	V 1.0.0	pdf 265.8 kB	Download
--	---------	-----------------	----------

**Engineering-Software**

**Configuration and Commissioning Software**

WAGO flexROOM-Auswahltool	1.1	zip	Download
Excel-Hilfstool für die Auswahl von flexROOM®	2012. 10. 12.	9.3 MB	

Subject to changes. Please also observe the further product documentation!



## CAD/CAE-Data

### CAE data

WSCAD Universe 2854-300/1008-002	<a href="#">URL</a>	<a href="#">Download</a>
WSCAD Universe 2854-300/1008-002	<a href="#">URL</a>	<a href="#">Download</a>

## Environmental Product Compliance

### Compliance Search

Environmental Product Compliance 2854-300/1008-002	<a href="#">URL</a>	<a href="#">Download</a>
Office distribution box; Type 3; 8 axes		

## Installation Notes

Subject to changes. Please also observe the further product documentation!