

**PLEASE CHECK WWW.MOLEX.COM FOR LATEST PART INFORMATION**

**Part Number:** [0780350201](#)

**Status:** **Active**

**Overview:** [MiniDIMM Sockets](#)

**Description:** 0.60mm Pitch miniDIMM DDR2 Socket, Surface Mount, 22.5° Reverse Angle, 0.76µm Gold (Au) Plating, Off-White Latches, with Pick-and-Place Cap, 200 Circuits, 1.8V Voltage Key, Lead-Free

**Documents:**

[3D Model](#)

[Drawing \(PDF\)](#)

[Product Specification PS-78035-001 \(PDF\)](#)

[Application Specification AS-87782-001 \(PDF\)](#)

[RoHS Certificate of Compliance \(PDF\)](#)

**Agency Certification**

CSA LR19980  
UL E29179

**General**

Product Family Memory Module Sockets  
Series [78035](#)  
Application Tooling Part Link [62100-1960](#)  
Comments <LI>Latches in Off-White Color  
Component Type Socket  
Electrical Model Yes  
JEDEC Outline MO-258  
Overview [MiniDIMM Sockets](#)  
Product Name MiniDIMM  
UPC 822350714846

**Physical**

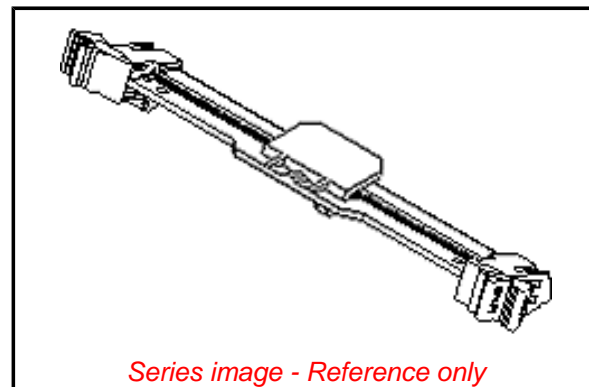
Circuits (Loaded) 200  
Color - Resin Black, Natural (White)  
Durability (mating cycles max) 25  
Entry Angle 22.5° Angle  
Flammability 94V-0  
Keying to Mating Part Yes  
Material - Metal Copper Alloy  
Material - Plating Mating Gold  
Material - Plating Termination Tin  
Material - Resin High Temperature Thermoplastic  
Net Weight 6.661/g  
PCB Locator Yes  
PCB Retention Yes  
Packaging Type Tray  
Pitch - Mating Interface 0.60mm  
Plating min - Mating 0.762µm  
Plating min - Termination 2.540µm  
Temperature Range - Operating -10°C to +85°C  
Termination Interface: Style Surface Mount

**Electrical**

Current - Maximum per Contact 1.0A  
Voltage - Maximum 30V  
Voltage Key 1.8V

**Solder Process Data**

Duration at Max. Process Temperature (seconds) 005  
Lead-free Process Capability REFLOW  
Max. Cycles at Max. Process Temperature 001



Series image - Reference only

**EU ELV**

**Not Relevant**

**EU RoHS**

**Compliant**

**REACH SVHC**

Contains SVHC(2015 June 15): No

**Halogen-Free**

**Status**

**Not Low-Halogen**

**Need more information on product environmental compliance?**

Email [productcompliance@molex.com](mailto:productcompliance@molex.com)  
Please visit the [Contact Us](#) section for any non-product compliance questions.

China ROHS  
ELV

Green Image  
Not Relevant

**Search Parts in this Series**

[78035 Series](#)

**Mates With**

JEDEC MO-258 Modules

**Application Tooling | FAQ**

*Tooling specifications and manuals are found by selecting the products below. Crimp Height Specifications are then contained in the Application Tooling Specification document.*

**Global**

Description	Product #
MiniDIMM Memory Card Insertion Tool	<a href="#">0621001960</a>

Process Temperature max. C 260

**Material Info**

**Reference - Drawing Numbers**

Application Specification	AS-87782-001
Electrical Model Document	EE-78035-001
Product Specification	PS-78035-001
S-Parameter Model	SP-78035-001
Sales Drawing	SD-78035-001

This document was generated on 10/30/2015

**PLEASE CHECK [WWW.MOLEX.COM](http://WWW.MOLEX.COM) FOR LATEST PART INFORMATION**