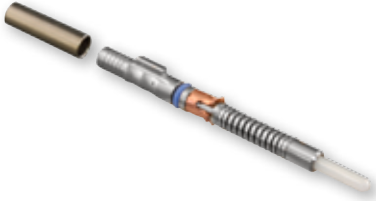
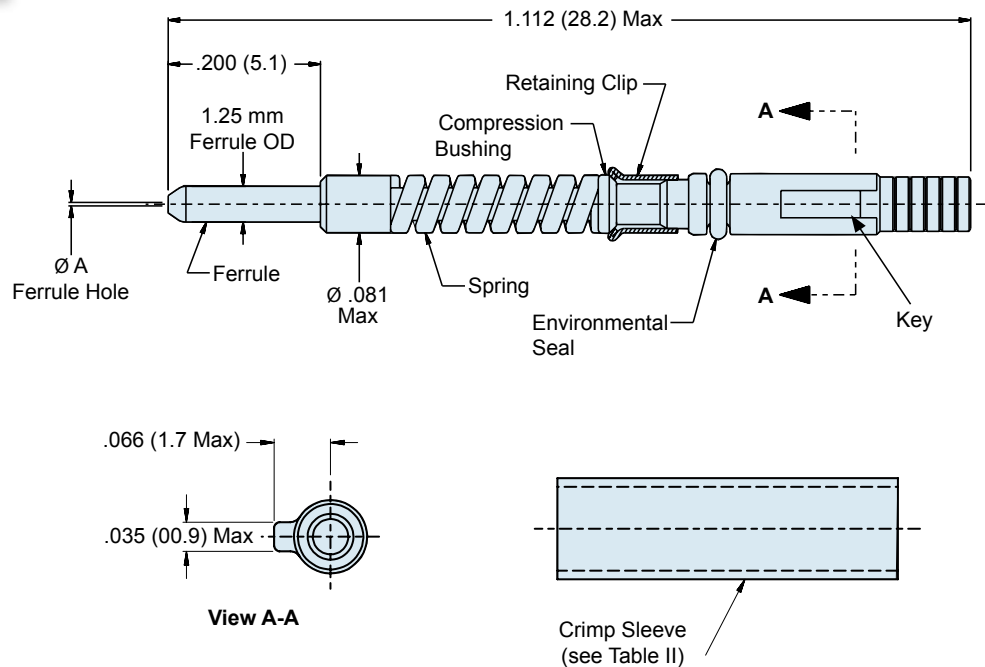


**Size 18 Glenair High Density (GHD) Fiber Optic Genderless Terminus,
Keyed for APC Polish**


The Glenair High Density Fiber Optic Connector System is designed for applications that require reduced size and weight as well as outstanding optical and environmental performance. The System offers insertion loss values less than .5dB (typical loss for Glenair termini is .3 dB). Dense cavity spacing is achieved with an innovative front release terminus design and accommodation for M85045/16 cable. The 181-047 version is equipped with a single keying feature for APC polish.


Material and Finish

Ferrule: Zirconia Ceramic
Terminus Assembly: Stainless Steel/ Passivate
Retaining Clip: Spring Alloy
Spring: High Tensile Stainless Steel/ Passivate
O-Ring: Fluorosilicone
Crimp Sleeve: Brass Alloy/Nickel

Tools and Accessories

Crimp Sleeve is supplied with Terminus Assembly, and may be ordered separately (see Table II). For terminus less crimp sleeve, omit **C** from end of part number (e.g. **181-047-1260**) See Glenair assembly procedure GAP-032 for complete termination instructions.

181-047
GHD • Glenair High Density
Fiber Optic Genderless Terminus
Size 18 Keyed Terminus for APC Polish



Fiber Optic

Part Number	ØA (Microns)	Typ. Fiber Type
181-047-1250C	125.0	Single Mode
181-047-1255C	125.5	Single Mode
181-047-1260C	126.0	Single Mode OR Multi Mode
181-047-1270C	127.0	Multi Mode
181-047-1420C	142.0	Multi Mode
181-047-1450C	145.0	Multi Mode
181-047-1560C	156.0	Multi Mode
181-047-1570C	157.0	Multi Mode
181-047-1730C	173.0	Multi Mode
181-047-1750C	175.0	Multi Mode
181-047-2360C	236.0	Multi Mode
181-047-2860C	286.0	Multi Mode
181-047-4480C	448.0	Multi Mode

C

CRIMP SLEEVE	
Part Number	Description
265-002	Crimp Sleeve Ø2.2mm Max Jacket