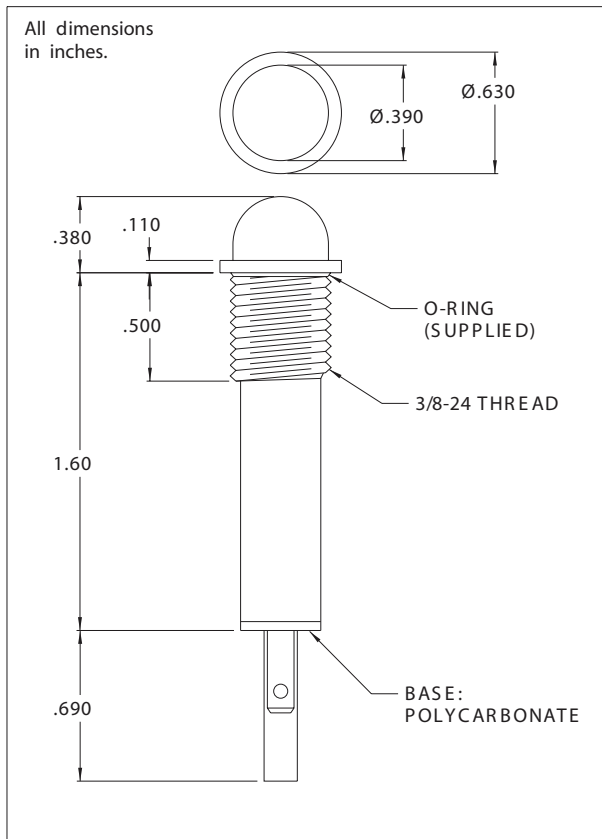


## 6010QM, 6011QM, 6012QM, 6013QM and 6091QM Series Oil-Tight Non-Relampable Neon-LED Indicator Lights

### Description and Features



Solid-state indicator lights complete with built-in current-limiting resistor and rectifier diode.

Meets NEMA Class 13

Mounting: Ø.380 min. hole. Supplied with internal tooth lock washer and hex nut. Mounting hole pattern on page SP2.

Lens: Polycarbonate

Terminals: Quick-connect, tinned brass .187 x .020

Bezel: Polished stainless steel. For black finish add "X" after the series letter(s).

Gaskets: Buna-N

Housing: Black Nylon

Lens Color	Neon	
	Model No. (105-125VAC)	Model No. (208-250VAC)
Red	6010QM1	6011QM1
Amber	6010QM3	6011QM3
Green	6012QM5*	6013QM5*
Lamp used	C2A+Resistor	C2A+Resistor

\* Incorporates G2B lamp and resistor.  
Underwriters Laboratories (UL) File  
No. E20325 Canadian Standards Association  
(CSA) File No. LR13346

Lens Color	LED Solid State Indicator		
	Model No. for 12V	Model No. for 24V	Incorporates LED
Red	6091QM1-12V	6091QM1-24V	4304H1
Green	6091QM5-12V	6091QM5-24V	4304H5
Yellow	6091QM7-12V	6091QM7-24V	4304H7
Internal Resistor (ohms)	390	1000	-

Note: Also incorporates IN4004 (400 P.I.V.) rectifier diode.  
Red lead positive.