

**PLEASE CHECK WWW.MOLEX.COM FOR LATEST PART INFORMATION**

**Part Number:** **0490340310**  
**Status:** **Active**  
**Description:** 3.80mm (.150") Pitch Wire-to-Wire Female Housing, 3 Circuits, for 090-II Terminal, with TPA

**Documents:**

[Drawing \(PDF\)](#) [RoHS Certificate of Compliance \(PDF\)](#)  
[Product Specification PS-49033-001 \(PDF\)](#)

**General**

Product Family	Crimp Housings
Series	49034
Product Name	N/A

**Physical**

Circuits (maximum)	3
Gender	Female
Glow-Wire Compliant	No
Lock to Mating Part	Yes
Number of Rows	1
Packaging Type	Bag
Panel Mount	No
Pitch - Mating Interface (in)	0.150 In
Pitch - Mating Interface (mm)	3.80 mm
Polarized to Mating Part	Yes
Stackable	No
Temperature Range - Operating	-40°C to +80°C

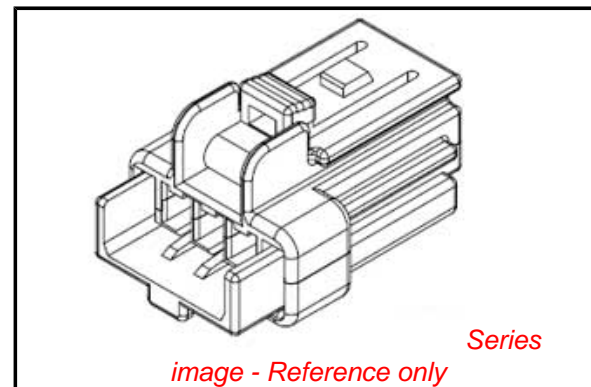
**Electrical**

Current - Maximum per Contact	10A
-------------------------------	-----

**Material Info**

**Reference - Drawing Numbers**

Product Specification	PS-49033-001
Sales Drawing	SD-49034-001



**EU RoHS**

**ELV and RoHS Compliant**  
**REACH SVHC**  
 Not Reviewed  
**Halogen-Free Status**

**China RoHS**



**Need more information on product environmental compliance?**

Email [productcompliance@molex.com](mailto:productcompliance@molex.com)  
 For a multiple part number RoHS Certificate of Compliance, [click here](#)

Please visit the [Contact Us](#) section for any non-product compliance questions.

**Search Parts in this Series**

49034Series

**Mates With**

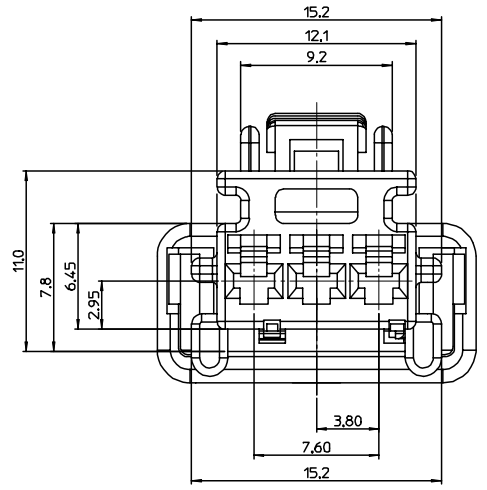
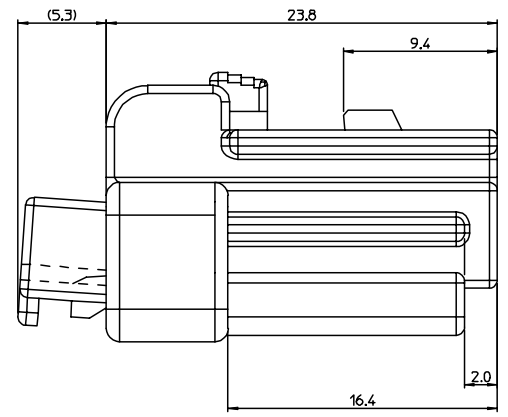
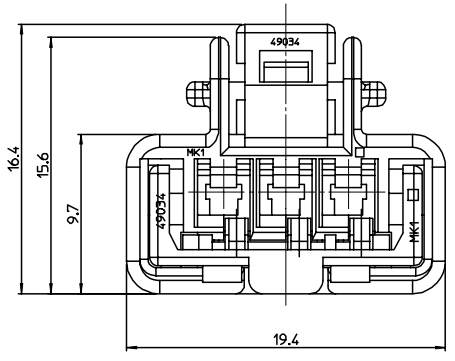
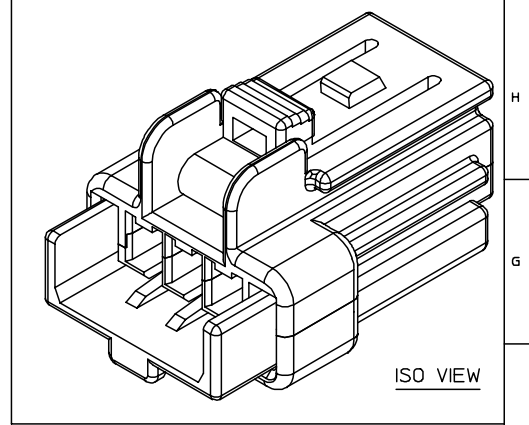
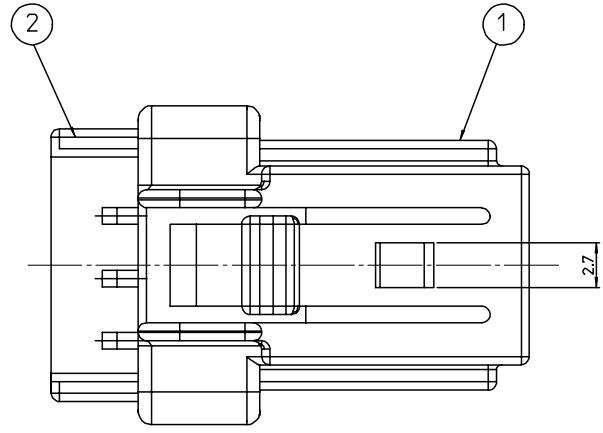
49033-0310

**Use With**

35421

DWG. NO. SD-49034-001  
 PROJECT NO. SD-49034-001  
 SIMILAR ITEM  
 DO NOT SCALE DRAWING  
 DIMENSION IN METRIC

12 11 10 9 8 7 6 5 4 3 2 1



<NOTE>

1. MATERIAL : SEE TABLE
2. MATING CONNECTOR : 49033-0310
3. APPLICABLE TERMINAL : 35421-6\*02

NO.	PART NO.	PART NAME	MATERIAL	COLOR
1	(A) 49034-0390	.090 F/HSG 3P	POLYESTER	NATURAL
	(B) 49034-0395	.090 F/HSG 3P	POLYESTER	GRAY
2	(C) 49034-0381	.090 F/TPA 3P	POLYESTER	BLACK

MATERIAL NO.	ENG. NO.	REMARKS	DIMENSIONS:		SHT	REV.	
490340310	49034-0310	(A) + (C)	<input type="checkbox"/> INCH	<input type="checkbox"/> MM			
490340315	49034-0315	(B) + (C)	<input type="checkbox"/> INCH	<input type="checkbox"/> MM			
NEW RELEASED ECN NO. KOR2004-0092 DRAWN:JMKM 04/01/27 CHK:K.C.YOON 04/01/27 APPROVEE	QUALITY SYMBOLS MAJOR CRITICAL	GENERAL TOLERANCES (UNLESS SPECIFIED)	SCALE 5:1	DESIGN UNITS <input checked="" type="checkbox"/> MM <input type="checkbox"/> INCH	THIRD ANGLE PROJECTION	TITLE	
REV	DESCRIPTION	4 PLACES ±0.1 ±	DRAWN BY & DATE SJKM 03/12/10	.090-II W/W FEMALE HSG ASS'Y 3P			
		3 PLACES ±0.2 ±	CHECKED BY & DATE B.C.YOON 03/12/10	APPROVED BY & DATE C.W.LEE 03/12/10			
		2 PLACES ±0.20 ±	MOLEX INCORPORATED				
		1 PLACE ±0.30 ±					
		ANGULAR: ± 1 °	CAD FILENAME SD\9034\M1	MATERIAL NO. SEE TABLE	DRAWING NO. SD-49034-001	SHEET NO. 1 OF 1	
		DRAFT WHERE APPLICABLE MUST REMAIN WITHIN DIMENSIONS	THIS DRAWING CONTAINS INFORMATION THAT IS PROPRIETARY TO MOLEX INCORPORATED AND SHOULD NOT BE USED WITHOUT WRITTEN PERMISSION.				SIZE C
					KOREA	MX-A2	

12 11 10 9 8 7 6 5 4 3 2 1