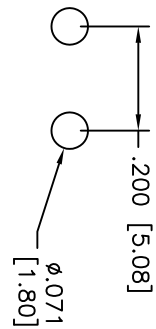
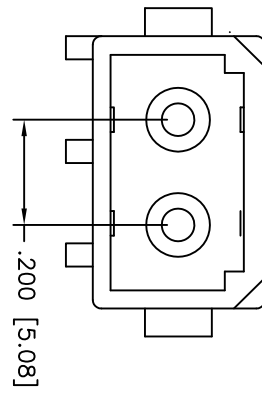
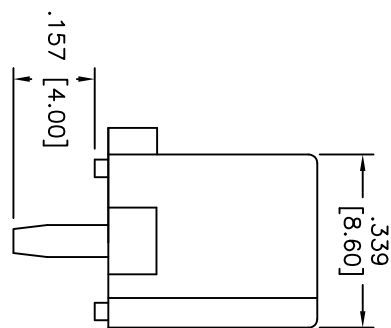
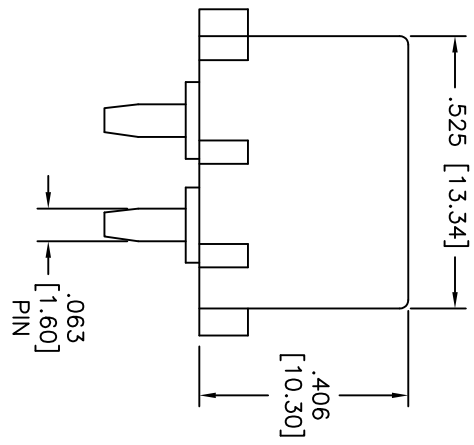


Rev	AWO #	Description	Date	Appr
-		RELEASED	4/21/10	

APPROVED: _____
 DATE: _____ TITLE: _____



RECOMMENDED PCB LAYOUT



SPECIFICATIONS:

Material:

Insulator: Nylon 66, rated UL 94V-2

Insulator color: Natural

Contacts: Brass

Plating:

Tin over nickel underplate

Electrical:

Operation voltage: 250V AC,DC

Current rating: 5A AC,DC

Contact resistance: 10 mohms max

Insulation resistance: 1000 Mohms min

Dielectric withstanding voltage: 800V AC/minute

Temperature rating:

Operating temperature: -25°C to +85°C

Environmental:

Lead Free, RoHS compliant

Recommended soldering temperature: 235°C for 5 seconds



UNLESS OTHERWISE SPECIFIED ALL DIMENSIONS ARE INCHES [MM]	
TOLERANCES: EXCEPT AS NOTED	
INCHES	HOLDS
X ± .10	ØX ± .10
.XX ± .020	ØXX ± .015
.XXX ± .015	ØXXX ± .010
APPROVALS	DATE
DRAWN DY	4/21/10
CHECKED	
APPROVED	

ADAM TECH
 909 Railway Avenue, Union, NJ 07083
 Phone: 908-687-5000 Fax: 908-687-5710

TITLE: .200 [5.08] MALE STRAIGHT, 2 PIN, PCB MOUNT

SIZE	PART NO.	REV.
X	DDS-02	-
REF: S00099T	SCALE: NTS	SHEET 1 OF 1

6 5 4 3 2 1