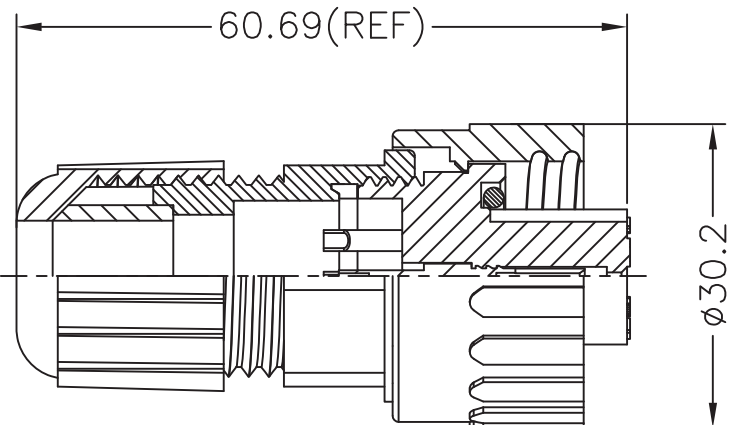
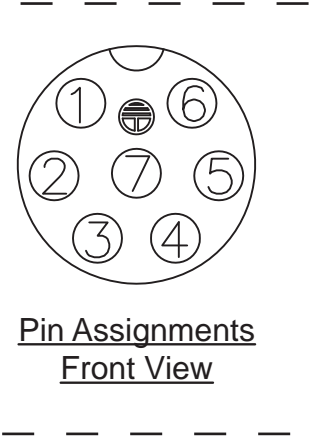
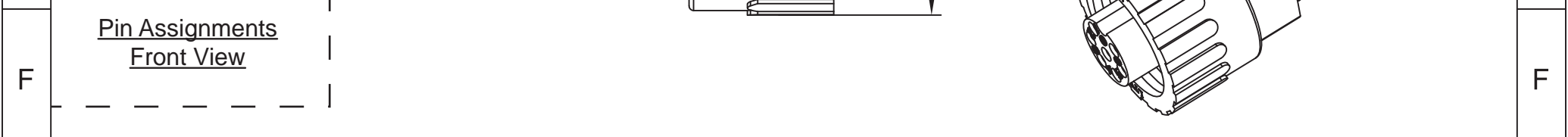
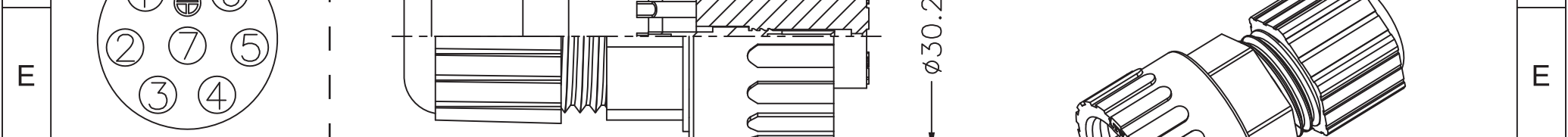
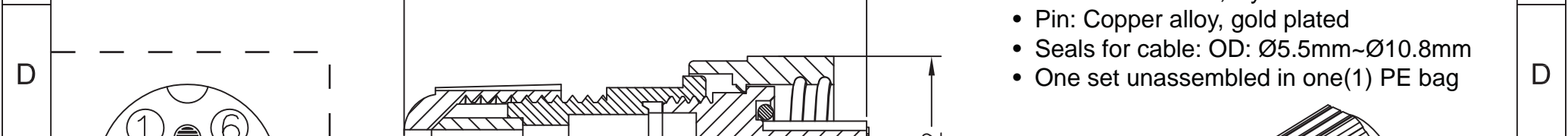
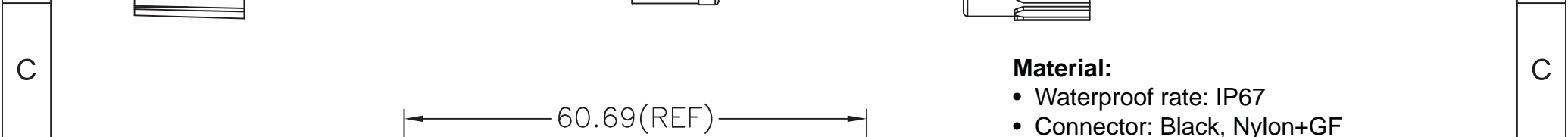
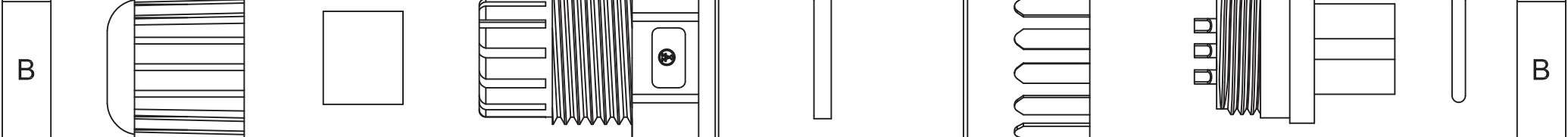
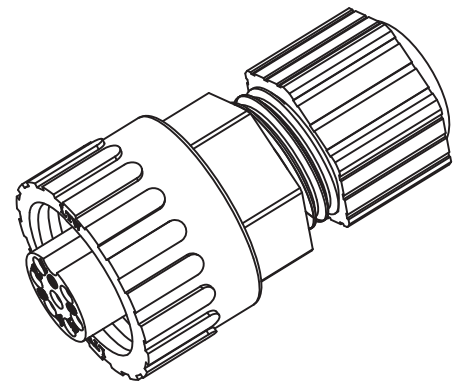


1 2 3 4 5 6 7



**Material:**

- Waterproof rate: IP67
- Connector: Black, Nylon+GF
- Pin: Copper alloy, gold plated
- Seals for cable: OD:  $\phi 5.5\text{mm} \sim \phi 10.8\text{mm}$
- One set unassembled in one(1) PE bag



Unit: mm



Scale	Free						Date	Name
TOLERANCE						Drawn	07.03.14	Wilson
X.X	$\pm 0.25$					Approved	07.03.14	Groll
X.XX	$\pm 0.1$							
X.XXX	$\pm 0.05$							
DIM	TOL							
X.°	$\pm 1^\circ$							
X.X°	$\pm X^\circ$							
Angle	TOL	Id.	Modification	Date	Name	1840 W. Drake Drive, Suite 101 • Tempe, AZ 85283 Toll Free: 1-877-277-6266 • Email: info@assmann.us		

Title	
Waterproof Power Connector 7 pin Female, Assembly type	
ASSMANN WSW-No.	
A-P07BFFA-S180-WP	
Drawing-No.	
ASS 6267 CO	rev00
Replace	Sheet 1/1

1 2 3 4 5 6 7