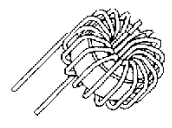
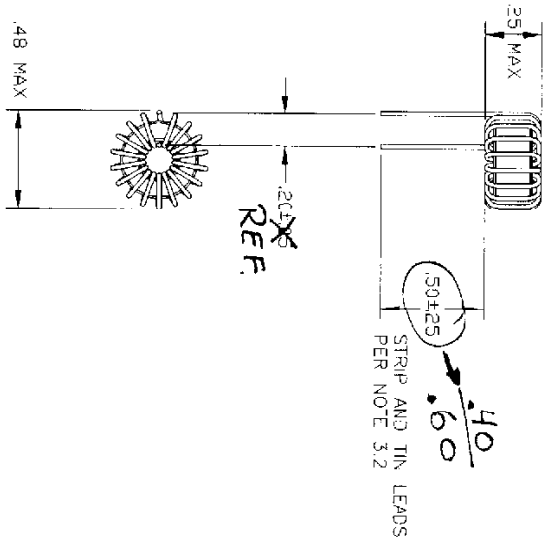


PROPRIETARY DATA:  
 This document and information contained  
 hereon are the property of WESTCOCK  
 and may not be reproduced, used or disclosed  
 without prior written permission of WESTCOCK  
 a division of VORCO Corporation.



DWG NO. 36-00030

REV C

REV	DESCRIPTION	DATE	APPROVED
1	PRODUCTION RELEASE	2/27/95	RBD
2	NOTE 2.1 WAS 1.5M, IS 1.3M	7/28/95	RBD
3	CHG NOTE 2.1 WAS 1.5M, IS 0.9-2 AT 1KHZ	6/5/96	RBD

NOTES: UNLESS OTHERWISE SPECIFIED,

- 1 MATERIALS: UL RECOGNIZED 94V-2 FLAMMABILITY RATING CLASS B (130°C) REQUIRED
- 1.1 CORE: TOROID - .575 X .187 X .188 (O = 5000)
- 1.2 CORE: ZU-41005-TC
- 1.3 PAIR-RITE 597500250L (CGATED)
- 1.4 STEWARD: 3519375-30P
- 1.5 WIRE: UL RECOGNIZED 130°C RATING MAGNET WIRE
- 2 SPECIFICATIONS:
  - 2.1 L = 0.9-2MH AT 30% @ 1 KHZ. TEST FREQUENCY
  - 2.2 ICR = 35 MHVS MAX
- 3 CONSTRUCTION:
  - 3.1 WIND
  - 3.2 TN LEADS CLOSE TO CORE AS SHOWN
  - 3.3 LABEL BULK PACKAGE WITH DRAWING NUMBER AND REVISION, VENDOR IDENTIFICATION, AND DATE OF MANUFACTURE

DATE	BY	APPROVALS	DESCRIPTION
10/13/94	S. KEITH		DESIGN
10/13/94			REVISION
10/13/94			REVISION
10/13/94			REVISION



INDUCTOR, 1 MH TOROID

DATE	BY	APPROVALS	DESCRIPTION
10/13/94	S. KEITH		DESIGN
10/13/94			REVISION
10/13/94			REVISION
10/13/94			REVISION

DO NOT SCALE DRAWING

SCALE 2/1

36-00030 SHEET 1 OF 1