

Type: CLS4D09

Product Description

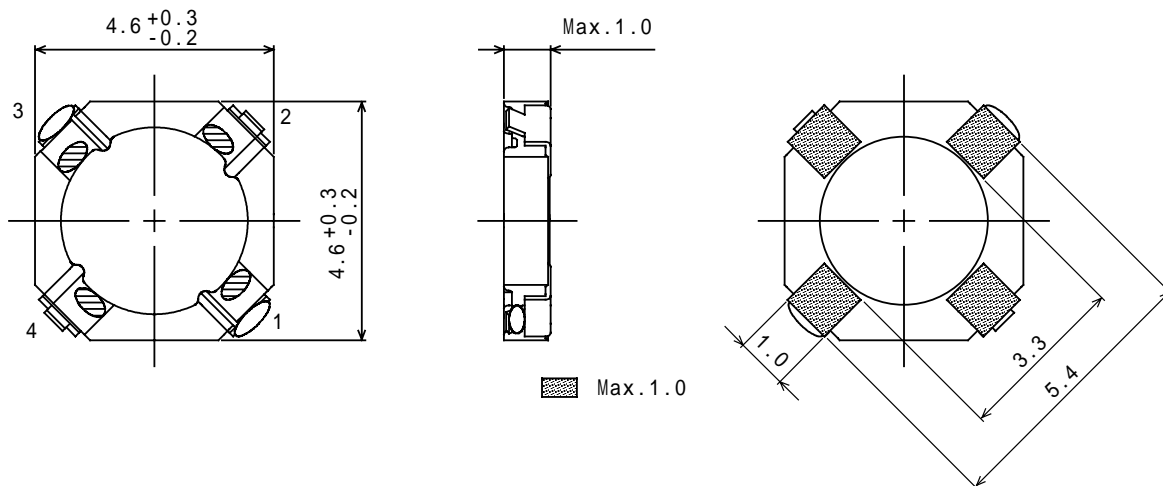
- 4.9 × 4.9mm Max.(L × W), 1.0mm Max. Height.
- 4 Terminal pins' type gives a flexible design as inductors or transformers (SEPIC,ZETA circuit).
- Custom design is available.



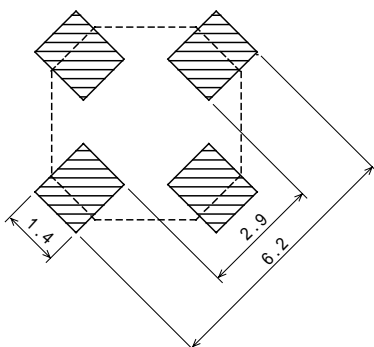
Feature

- Magnetically shielded construction.
- Ideally used in portable devices such as Mobilephone,DSC/DVC,MP3,PDA, etc as DC-DC Converter inductors, specially suitable for White LED drive.
- RoHS Compliant

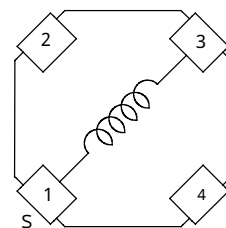
Dimensions (mm)



Land Pattern (mm)



Schematics(Bottom)



Type: CLS4D09
Specification

Part Name	Stamp	Inductance [Within] 100kHz	D.C.R.(m Ω) Max.(Typ.) (at 20 $^{\circ}$ C)	Saturation current (mA) (at 20 $^{\circ}$ C) 1	Temperature rise current (mA) 2
CLS4D09NP-4R7N	A	4.7 μ H \pm 30%	185(150)	800	750
CLS4D09NP-6R8N	B	6.8 μ H \pm 30%	260(210)	630	630
CLS4D09NP-100N	C	10 μ H \pm 30%	370(300)	500	500
CLS4D09NP-150N	D	15 μ H \pm 30%	580(470)	420	370
CLS4D09NP-220N	E	22 μ H \pm 30%	910(730)	350	300

Description of part name

CLS4D09NP-4R7N

- B Box
- C Carrier Tape

1. Saturation current: The DC current at which the inductance decreases to 65% of its nominal value.
2. Temperature rise current: The DC current at which the temperature rise is $t = 40^{\circ}$ C. ($T_a = 20^{\circ}$ C).