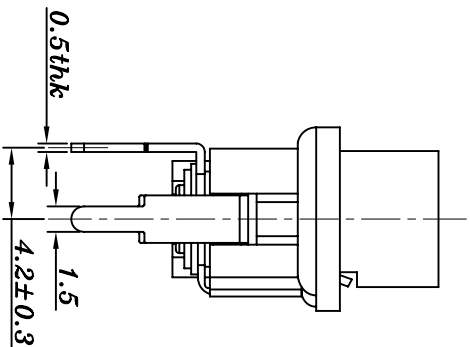
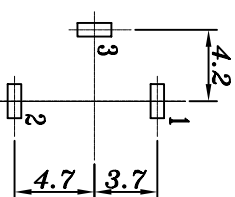


P.C.B LAYOUT



PIN	$\phi 2.0$	$\phi 2.35$	$\phi 2.5$
APPD.			



NO.	PART	NAME	MATERIAL	QTY	FINISHING
6	HOUSING		PBT	1	BLACK
5	AXIS SUPPORT		BRASS	1	Ni-Plated
4	PIN		BRASS	1	Ni-Plated
3	SPRING		PHOSPHOR BRONZE	1	Sn-Plated
2	CURVE PIECE		BRASS	1	Sn-Plated
1	FLAT PIECE		BRASS	1	Sn-Plated

TOLERANCE UNLESS SPECIFIED		ANGULAR $\pm 1^\circ$		NO	DATE	REVISIONS	BY	APPD
UP TO 5mm: $\pm 0.1$				1				
ABOVE 5mm: $\pm 0.2$								
TITLE: DC JACK		UNIT : MM		SCALE: 1:1		ROHS COMPLIANT	DWN	CHK'D
MODEL: DC-026		SCALE: 1:1				COMPLIANT	APPD	
HAOYU(HONGKONG) LIMITED		皓宇(香港)有限公司		PRO.AGL:				REV : A