

## OCXO SERIES 3000

### ■ FEATURES

Small OCXO in EURO package  
Frequencies up to 160 MHz

### ■ ELECTRICAL PERFORMANCE

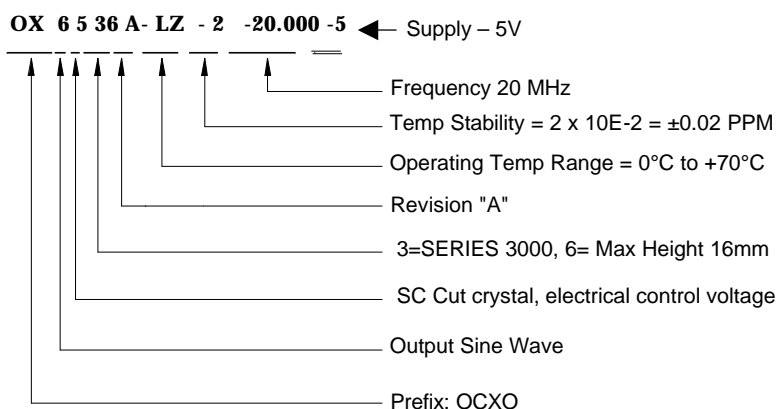
PARAMETER	OCXO SERIES 3000			
	AT CUT CRYSTAL	SC CUT CRYSTAL		
Supply voltage, nom.	12V, 5V $\pm$ 5% Standard (3.3V Optional)			
Power dissipation steady state	1.5 Watt Max.			
Heat up power	3 Watt Max			
Heat up time.	3 min Max			
Frequency range	1 To 160 MHz Standard			
Frequency Adjustment	$\pm$ 10PPM Min (0 to 5V)	$\pm$ 0.7PPM Min (0 to 5V)		
Freq. stability vs. temperature LX: 0°C to 60°C FZ: -30°C to 70°C D3: -40°C to 85°	$\pm$ 0.05 PPM	$\pm$ 0.01 PPM		
	$\pm$ 0.1 PPM	$\pm$ 0.02 PPM		
	$\pm$ 0.25 PPM	$\pm$ 0.03 PPM		
	(Standard, contact factory for different temp ranges and stabilities)			
Freq. stability vs. supply changes	$\pm$ 0.015 PPM Max for $\pm$ 5% Change	$\pm$ 0.010 PPM Max for $\pm$ 5% Change		
Freq. stability vs. load changes	$\pm$ 0.01 PPM Max for $\pm$ 5% Change	$\pm$ 0.005 PPM Max for $\pm$ 5% Change		
Long term stability (Aging)	$\pm$ 4 PPM Max for 10 Years $\pm$ 0.005 PPM/Day Max.	$\pm$ 1 PPM Max for 10 Years $\pm$ 0.002 PPM/Day Max.		
Output	HCMOS/TTL/Sine 0 to +7dBm (Low voltage CMOS Available)			
Harmonics, Sub Harmonics	-30dBc(Sine Output)			
Spurious	-75dBc(Sine Output)			
Duty cycle	40/60% to 60/40%(HCMOS)			
Rise / fall time	10nS Max. (HCMOS,10%~90%Vout, 90%~10%Vout)			
Short term Stability (10MHz)	1 E-10 /Sec	5 E-11 /Sec		
Phase Noise (Sine Output 10MHZ – under static conditions)	Offset	Phase Noise	Offset	Phase Noise
	10Hz	-90 dBc/Hz	10Hz	-110 dBc/Hz
	100Hz	-125 dBc/Hz	100Hz	-130 dBc/Hz
	1000Hz	-135 dBc/Hz	1000Hz	-140 dBc/Hz
	10000Hz	-150 dBc/Hz	10000Hz	-150 dBc/Hz

Note: All Typical parameters for a 10MHz output and 5V Supply, for different frequencies consult factory

## ■ HOW TO ORDER (PART NUMBER)

Prefix	Output Type	Cut Type	Series	Revision	Temperature Range	Stability	Frequency	Supply Voltage
OX	2:HCMOS 4:LVC MOS 6:SINE	0:AT (No Vcontrol ) 1: SC (No Vcontrol ) 4: AT (Elect Vcontrol) 5: SC (Elect Vcontrol)	3X:3000 34: Height= 0.5"/12.7mm 36: Height= 0.63"/16mm 37: Height= 1"/25.4mm 39: Height= 0.75"/19mm	A	First letter Lowest Temperature, Second letter Highest Temperature: From A=-55°C to Z=+70°C, Then: 1=+75°C, 2=+80°C, 3=+85°C... in 5°C steps Example: LZ: +0°C to +70°C LX: +0°C to +60°C FZ: -30°C to +70°C D3: -40°C to +85°C	Value x 10E-2 in PPM  Example  28= 0.28PPM  10= 0.1PPM	In MHZ	3.3: 3.3V 5: 5V 12: 12V 15: 15V

Example:



## ■ MECHANICAL SPECIFICATION

