

LD20011A/B Series – 2.00 inch Single Digit 16 Segment LED Display



ATTENTION
OBSERVE PRECAUTIONS
FOR HANDLING
ELECTROSTATIC
DISCHARGE
SENSITIVE
DEVICES



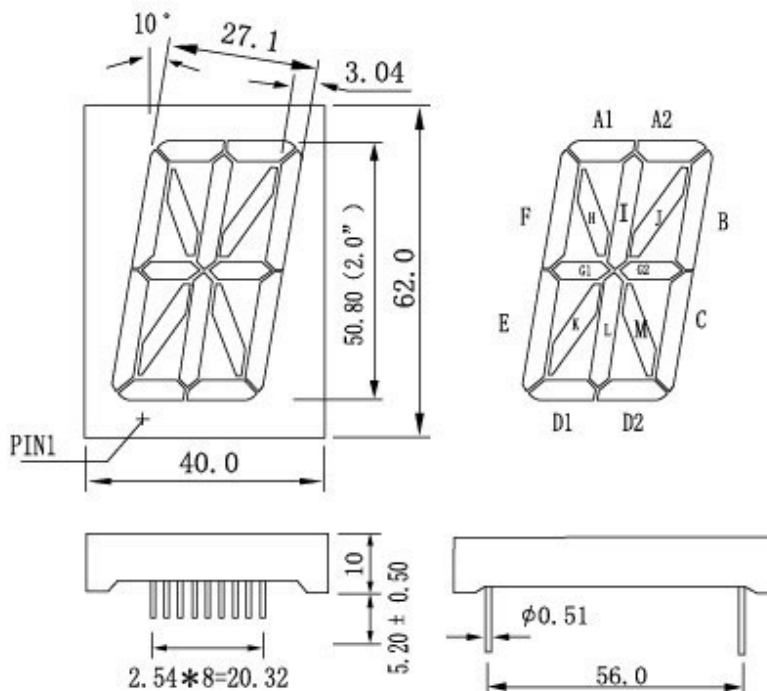
Features

- 50.80 mm (2.00 inch) digit high
- Excellent digit appearance
- Wide viewing angle
- Range of emitted colors
- I.C. compatible
- Low power consumption
- White segment, black face
- RoHS compliant

Available options

- Alternative emitting luminosity:
Standard or high brightness version
- Alternative emitted color
- Alternative face and segment color
- Alternative font
- Both CA and CC versions are available
- Cropped terminal pins

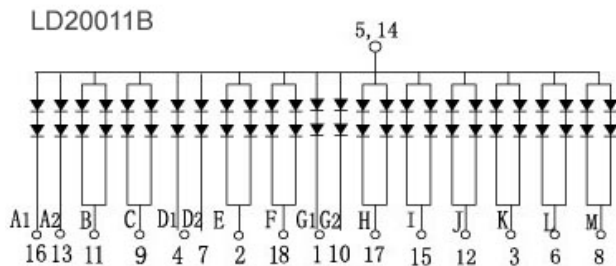
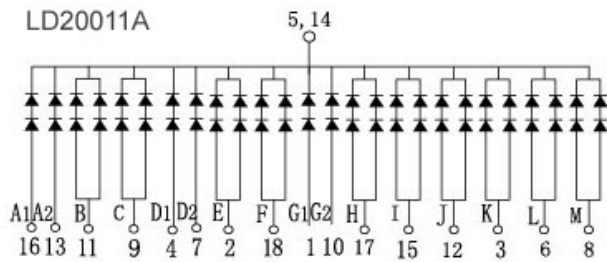
Package Dimensions



Notes:

1. All dimensions are in millimeters (inches), Tolerance is $\pm 0.25\text{mm}$ (0.01inch) unless otherwise noted.
2. Specifications are subject to change without notice.
3. The gap between the reflector and PCB shall not exceed 0.25mm.

Internal Circuit Diagram



Selection Guide

Single Digit 16 Segment LED Display, Digit Height:50.80mm(2.00 inch), External Dimensions: 40.00x62.00x10.00mm (L x W x H)

Part No.		Chip			$I_V@I_F=20mA$		$I_V@I_F=20mA$	
Common Cathode	Common Anode	Material	Color	WLD	One Seg		One Seg A D G	
					Min.	Typ.	Min.	Typ.
LD20011AR	LD20011BR	GaAlAs	Super Red	640	24	30	12	15
LD20011AD	LD20011BD	GaAlAs	Hi-Red	640	54	75	27	37.5
LD20011AO	LD20011BO	GaAsP	Orange	625	21	27	10.5	13.5
LD20011AY	LD20011BY	GaAsP	Yellow	588	24	30	12	15
LD20011AG	LD20011BG	GaP	Green	568	21	27	10.5	13.5
LD20011AUR	LD20011BUR	AlGaInP	Ultra Red	640	90	135	45	67.5
LD20011AUO	LD20011BUO	AlGaInP	Ultra Orange	625	135	180	67.5	90
LD20011AUA	LD20011BUA	AlGaInP	Ultra Amber	605	90	135	45	67.5
LD20011AUY	LD20011BUY	AlGaInP	Ultra Yellow	595	90	135	45	67.5
LD20011AUG	LD20011BUG	AlGaInP	Ultra Green	573	90	135	45	67.5
LD20011APG	LD20011BPG	InGaN	Pure Green	525	360	900	180	450
LD20011AUB	LD20011BUB	InGaN	Ultra Blue	470	90	135	45	67.5
LD20011AUW	LD20011BUW	SMD	Ultra White	\	300	360	150	180
Unit:	\	\	\	nm	mcd	mcd	mcd	mcd

Electrical Characteristics & Absolute Maximum Ratings

Parameter		Electrical optical Characteristics ^[1]			Absolute Maximum Ratings ^[1]		
Emitted color		Forward Voltage @ IF=20mA		Reverse Current VR=5V	Power Dissipation	DC Forward Current	Peak Forward Current ^[2]
		Typ.	Max.				
Super Red	Per Seg.	1.8	2.2	30	60	25	100
	Per DP	1.8	2.2	30	60	25	100
Hi-Red	Per Seg.	1.8	2.2	30	60	25	100
	Per DP	1.8	2.2	30	60	25	100
Orange	Per Seg.	2.1	2.5	30	80	30	100
	Per DP	2.1	2.5	30	80	30	100
Yellow	Per Seg.	2.1	2.5	30	80	30	100
	Per DP	2.1	2.5	30	80	30	100
Green	Per Seg.	2.2	2.5	30	80	30	100
	Per DP	2.2	2.5	30	80	30	100
Ultra Red	Per Seg.	1.9	2.6	30	60	30	100
	Per DP	1.9	2.6	30	60	30	100
Ultra Orange	Per Seg.	2	2.6	30	65	30	100
	Per DP	2	2.6	30	65	30	100
Ultra Amber	Per Seg.	2	2.6	30	65	30	100
	Per DP	2	2.6	30	65	30	100
Ultra Yellow	Per Seg.	2	2.6	30	65	30	100
	Per DP	2	2.6	30	65	30	100
Ultra Green	Per Seg.	2.1	2.6	30	75	30	100
	Per DP	2.1	2.6	30	75	30	100
Pure Green	Per Seg.	3.5	4	30	110	30	100
	Per DP	3.5	4	30	110	30	100
Ultra Blue	Per Seg.	3.5	4	30	120	30	100
	Per DP	3.5	4	30	120	30	100
Ultra White	Per Seg.	3.5	4	30	120	30	100
	Per DP	3.5	4	30	120	30	100
Unit:	\	V	V	uA	mW	mA	mA

Notes:

1. At Ta = 25 °C.

2. Peak forward current at 1/10 Duty Cycle, 0.1ms Pulse.