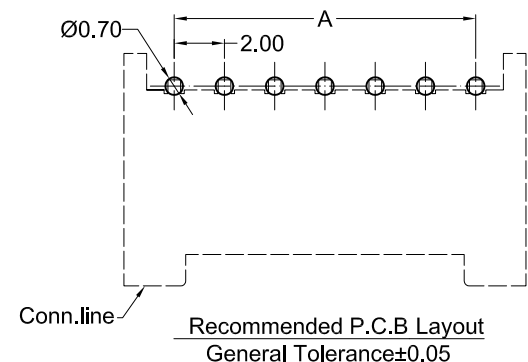
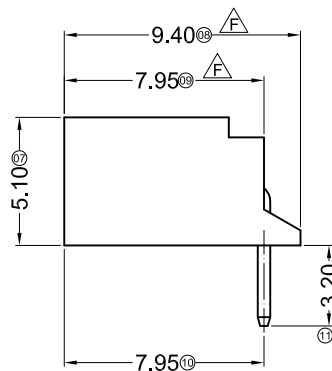
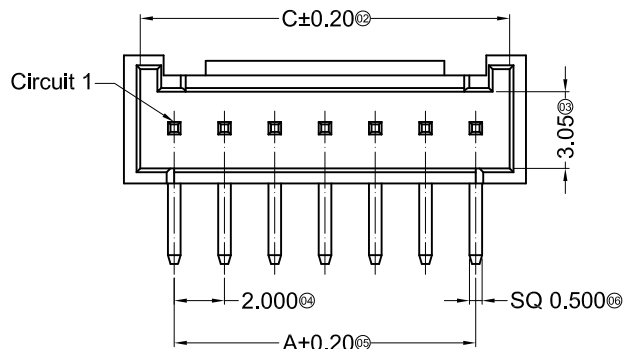


■ Specifications :

- Voltage rating: 250V AC / DC
- Current rating: 3A AC / DC
- Withstanding voltage: 1000V AC/minute
- Temperature range: -25°C~+85°C
- Insulation resistance: ≥1000MΩ
- Contact resistance: ≤30mΩ
- After environmental testing: ≤40mΩ



Poles	Dimensions (mm)			Poles	Dimensions (mm)		
	A	B	C		A	B	C
02	2.00	6.00	4.70	10	18.00	22.00	20.70
03	4.00	8.00	6.70	11	20.00	24.00	22.70
04	6.00	10.00	8.70	12	22.00	26.00	24.70
05	8.00	12.00	10.70	13	24.00	28.00	26.70
06	10.00	14.00	12.70	14	26.00	30.00	28.70
07	12.00	16.00	14.70	15	28.00	32.00	30.70
08	14.00	18.00	16.70	16	30.00	34.00	32.70
09	16.00	20.00	18.70				

				TOLERANCE UNLESS OTHERWISE		DRAWN	CK tan	XFCN兴飞连接器有限公司 CONNECTORS XFCN CONNECTORS CO., LTD.		SHEET	1/1
				X.	±0.30	X°	±5°			CHKD	DATE
				.X	±0.20	.X°	±2°	APPD	PRODUCT NAME	2.00mm Crimp Style Connectors	
				.XX	±0.08	.XX°	±1°	VIEW	PART. NO.	M2016R-K-XX-N0	
				.XXX	±0.03	.XXX°	±0.5°			UNITS	mm
										SCALE	1:1
										DWG NO.	009
A0	MODIFICATION		DATE								