

PZ 50**Weidmüller Interface GmbH & Co. KG**

Klingenbergstraße 26

D-32758 Detmold

Germany

www.weidmueller.com

**Crimping tools for wire end ferrules, with and without plastic collars**

- Ratchet guarantees precise crimping
- Release option in the event of incorrect operation

General ordering data

Version	Pressing tool, Crimping tool for wire-end ferrules, 25mm ² , 50mm ² , Indent crimp
Order No.	9006450000
Type	PZ 50
GTIN (EAN)	4008 190095796
Qty.	1 pc(s).

Creation date November 9, 2021 4:46:45 PM CET

Catalogue status 05.11.2021 / We reserve the right to make technical changes.

PZ 50

Weidmüller Interface GmbH & Co. KG

Klingenbergstraße 26

D-32758 Detmold

Germany

www.weidmueller.com

Technical data

Dimensions and weights

Width	250 mm	Width (inches)	9.842 inch
Weight	730 g	Net weight	595.3 g

Environmental Product Compliance

REACH SVHC	Lead 7439-92-1
------------	----------------

Technical data

Description of article	(1)Crimping tool	Version	Mechanical, without interchangeable inserts
------------------------	------------------	---------	---

Description of contact

Conductor cross-section, max. AWG	AWG 0	Conductor cross-section, min. AWG	AWG 4
Crimping range, max.	50 mm ²	Crimping range, min.	25 mm ²
Type of contact	Wire-end ferrules with/without plastic collars		

tool data crimping

Crimping profile 1, min.	25 mm ²	Crimping profile 2, min.	35 mm ²
Crimping profile 3, min.	50 mm ²	Crimping type/profile	Indent crimp
Wire end ferrules cross-section, max.	50 mm ²	Wire end ferrules cross-section, min.	25 mm ²

Classifications

ETIM 6.0	EC000168	ETIM 7.0	EC000168
ETIM 8.0	EC000168	ECLASS 9.0	21-04-38-11
ECLASS 9.1	21-04-38-11	ECLASS 10.0	21-04-38-11
ECLASS 11.0	21-04-38-11		

Approvals

Approvals



Downloads

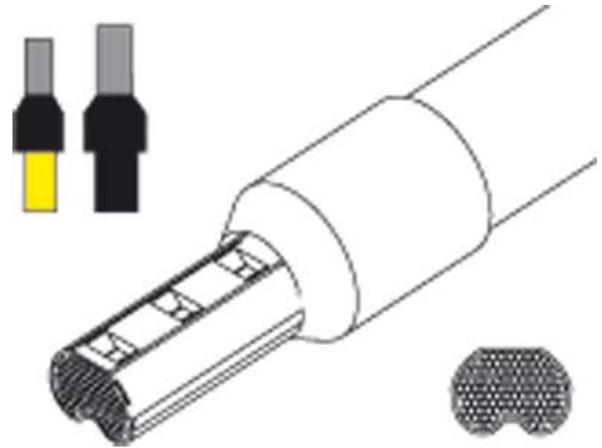
Engineering Data	CAD data – STEP
Engineering Data	WSCAD
User Documentation	Manual
Catalogues	Catalogues in PDF-format
Brochures	

PZ 50

Weidmüller Interface GmbH & Co. KG
Klingenbergstraße 26
D-32758 Detmold
Germany

www.weidmueller.com

Drawings



Example of use



PZ 50

Weidmüller Interface GmbH & Co. KG
 Klingenbergstraße 26
 D-32758 Detmold
 Germany

www.weidmueller.com

Accessories

Accessories / replacement parts



Crimping tools for wire end ferrules, with and without plastic collars

- Ratchet guarantees precise crimping
- Release option in the event of incorrect operation

General ordering data

Type	ERTE ES PZ 50
Order No.	9006280000
GTIN (EAN)	4008190114619
Qty.	1 pc(s).

Conductor nom. cross-section 50mm²



- supplied loose in poly-bag
- Weidmüller colour code
- DIN colour code

General ordering data

Type	Version	Packaging
H50,0/41D BL	Wire-end ferrule, Standard, 31 mm, 25 mm, blue	loose
Order No.	9019350000	
GTIN (EAN)	4008190049263	
Qty.	50 pc(s).	
H50,0/36D BL	Wire-end ferrule, Standard, 26 mm, 20 mm, blue	loose
Order No.	9019340000	
GTIN (EAN)	4008190067632	
Qty.	50 pc(s).	
H50,0/36 OLIV	Wire-end ferrule, Standard, 26 mm, 20 mm, Olive green	loose
Order No.	0444200000	
GTIN (EAN)	4008190110284	
Qty.	50 pc(s).	

PZ 50

Weidmüller Interface GmbH & Co. KG

Klingenbergstraße 26

D-32758 Detmold

Germany

www.weidmueller.com

Accessories

Conductor nom. cross-section 25mm²

- supplied loose in poly-bag
- Weidmüller colour code
- DIN colour code
- other colour code

General ordering data

Type	H25,0/30D 16 GE	Version	Packaging
Order No.	9019280000	Wire-end ferrule, Standard, 18 mm, 16 mm, yellow	loose
GTIN (EAN)	4008190038380		
Qty.	50 pc(s).		
Type	H25,0/30T SW	Version	Packaging
Order No.	9021190000	Wire-end ferrule, Standard, 18 mm, 16 mm, black	loose
GTIN (EAN)	4008190115166		
Qty.	50 pc(s).		
Type	H25,0/36T SW	Version	Packaging
Order No.	9021200000	Wire-end ferrule, Standard, 24 mm, 22 mm, black	loose
GTIN (EAN)	4008190055400		
Qty.	50 pc(s).		
Type	H25,0/36D GE	Version	Packaging
Order No.	9019300000	Wire-end ferrule, Standard, 24 mm, 22 mm, yellow	loose
GTIN (EAN)	4008190054984		
Qty.	50 pc(s).		
Type	H25,0/36 BR	Version	Packaging
Order No.	0317100000	Wire-end ferrule, Standard, 24 mm, 22 mm, brown	loose
GTIN (EAN)	4008190049751		
Qty.	50 pc(s).		
Type	H25,0/30 BR	Version	Packaging
Order No.	0317000000	Wire-end ferrule, Standard, 18 mm, 16 mm, brown	loose
GTIN (EAN)	4008190158231		
Qty.	50 pc(s).		

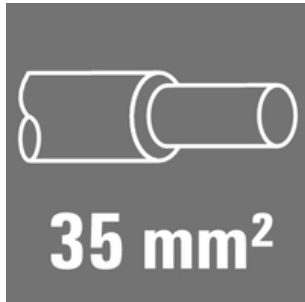
PZ 50

Weidmüller Interface GmbH & Co. KG
 Klingenbergstraße 26
 D-32758 Detmold
 Germany

www.weidmueller.com

Accessories

Conductor nom. cross-section 35mm²



- supplied loose in poly-bag
- Weidmüller colour code
- DIN colour code

General ordering data

Type	H35,0/30D 16 R	Version	Packaging
Order No.	9019310000	Wire-end ferrule, Standard, 19 mm, 16 mm, red	loose
GTIN (EAN)	4008190102234		
Qty.	50 pc(s).		
Type	H35,0/39 BE	Version	Packaging
Order No.	0317300000	Wire-end ferrule, Standard, 28 mm, 25 mm, beige	loose
GTIN (EAN)	4008190151294		
Qty.	50 pc(s).		
Type	H35,0/30 BE	Version	Packaging
Order No.	0317200000	Wire-end ferrule, Standard, 19 mm, 16 mm, beige	loose
GTIN (EAN)	4008190023904		
Qty.	50 pc(s).		
Type	H35,0/32D R	Version	Packaging
Order No.	9019320000	Wire-end ferrule, Standard, 19 mm, 18 mm, red	loose
GTIN (EAN)	4008190111847		
Qty.	50 pc(s).		
Type	H35,0/39D R	Version	Packaging
Order No.	9019330000	Wire-end ferrule, Standard, 28 mm, 25 mm, red	loose
GTIN (EAN)	4008190048365		
Qty.	50 pc(s).		

PZ 50

Weidmüller Interface GmbH & Co. KG
 Klingenbergstraße 26
 D-32758 Detmold
 Germany

www.weidmueller.com

Accessories

Replacement parts



After stripping the insulation, a suitable contact or wire end ferrule can be crimped onto the end of the cable. Crimping forms a secure connection between conductor and contact and has largely replaced soldering. Crimping denotes the creation of a homogeneous, permanent connection between conductor and connecting element. The connection can be made only with high-quality precision tools. The result is a secure and reliable connection both in mechanical and electrical terms. Weidmüller offers a wide range of mechanical crimping tools. Integral ratchets with release mechanisms guarantee optimum crimping. Crimped connections made with Weidmüller tools comply with international standards and regulations.

General ordering data

Type	ERTE GRIFFE PZ	Version
Order No.	9202810000	Pressing tool, Replacement part
GTIN (EAN)	4032248512577	
Qty.	1 pc(s).	

Nominal conductor cross-section 10.0 mm² - 185.0 mm²

For conductors from 10.0 to 185.0 mm² (AWG 7 - 350 MCM)
 tin-plated copper
 dimensional tolerances to DIN 46228 part 1
 • supplied loose in poly-bag

General ordering data

Type	Version	Packaging
H35,0/18	Wire-end ferrule, Standard, 18 mm, 18 mm, No	loose
Order No.	0368900000	
GTIN (EAN)	4008190145675	
Qty.	100 pc(s).	
H35,0/30S	Wire-end ferrule, Standard, 30 mm, 30 mm, No	loose
Order No.	9451000000	
GTIN (EAN)	4008190071516	
Qty.	100 pc(s).	
H35,0/25	Wire-end ferrule, Standard, 25 mm, 25 mm, No	loose
Order No.	9004190000	
GTIN (EAN)	4008190096083	
Qty.	100 pc(s).	
H50,0/18	Wire-end ferrule, Standard, 18 mm, 18 mm, No	loose
Order No.	9004210000	
GTIN (EAN)	4008190123383	
Qty.	100 pc(s).	

Creation date November 9, 2021 4:46:45 PM CET

Catalogue status 05.11.2021 / We reserve the right to make technical changes.

PZ 50

Weidmüller Interface GmbH & Co. KG

Klingenbergstraße 26

D-32758 Detmold

Germany

www.weidmueller.com

Accessories

Type	H25,0/18	Version	Packaging
Order No.	0375300000	Wire-end ferrule, Standard, 18 mm, 18 mm, No	loose
GTIN (EAN)	4008190145378		
Qty.	100 pc(s).		
Type	H25,0/32	Version	Packaging
Order No.	9004180000	Wire-end ferrule, Standard, 32 mm, 32 mm, No	loose
GTIN (EAN)	4008190113162		
Qty.	100 pc(s).		
Type	H25,0/25	Version	Packaging
Order No.	9004170000	Wire-end ferrule, Standard, 25 mm, 25 mm, No	loose
GTIN (EAN)	4008190021863		
Qty.	250 pc(s).		
Type	H50,0/22S	Version	Packaging
Order No.	9025880000	Wire-end ferrule, Standard, 22 mm, 22 mm, No	loose
GTIN (EAN)	4008190180430		
Qty.	100 pc(s).		
Type	H50,0/32	Version	Packaging
Order No.	9004220000	Wire-end ferrule, Standard, 32 mm, 32 mm, No	loose
GTIN (EAN)	4008190059606		
Qty.	100 pc(s).		
Type	H35,0/32	Version	Packaging
Order No.	9004200000	Wire-end ferrule, Standard, 32 mm, 32 mm, No	loose
GTIN (EAN)	4008190077303		
Qty.	100 pc(s).		