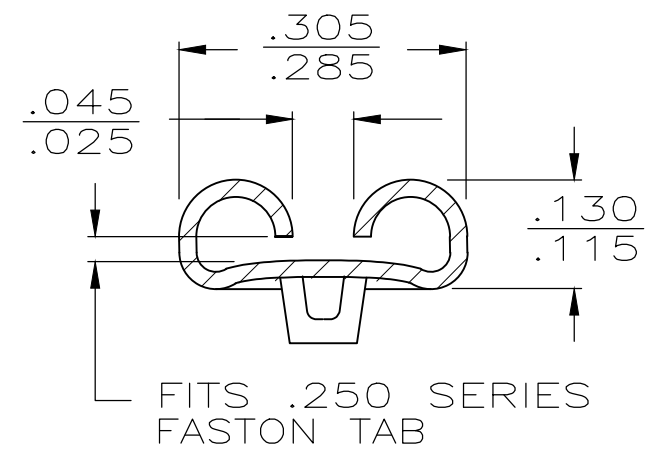
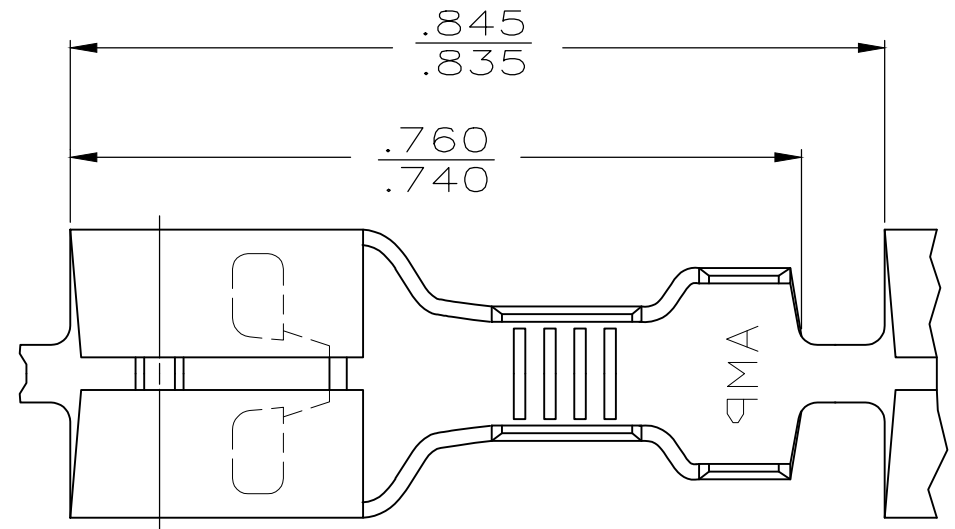


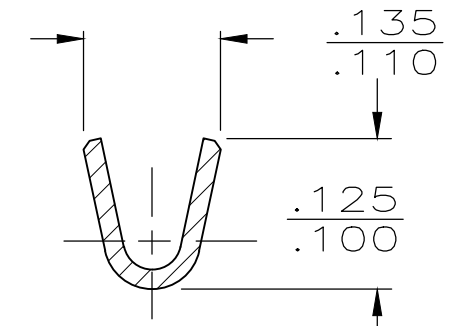
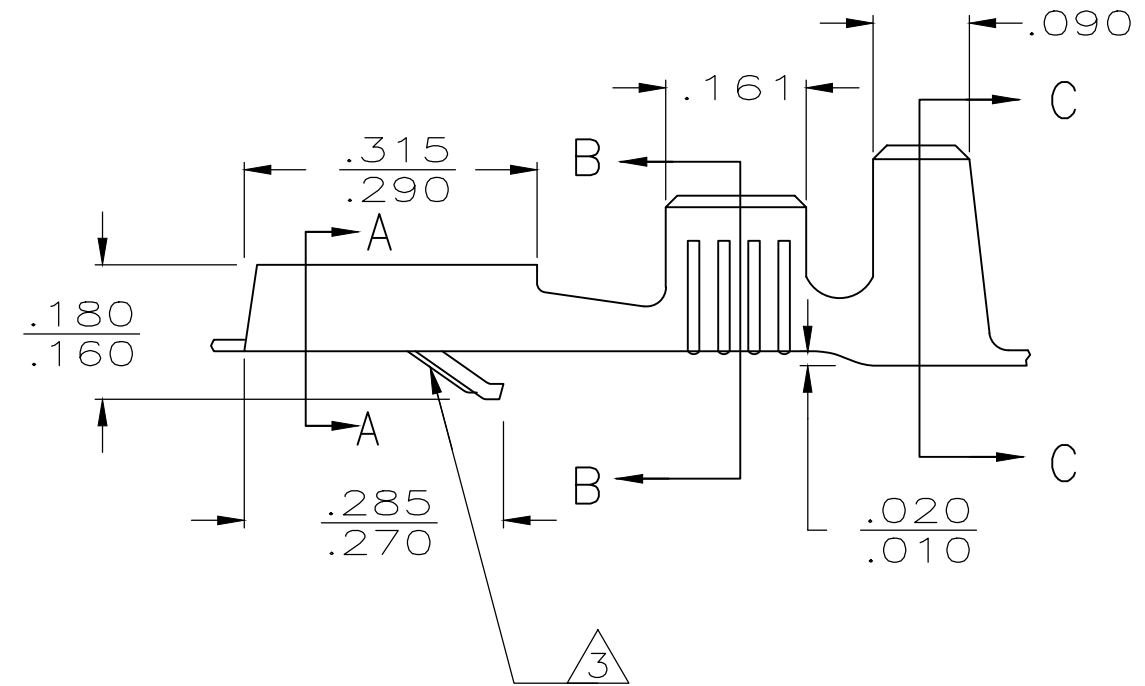
THIS DRAWING IS UNPUBLISHED. RELEASED FOR PUBLICATION  
 © COPYRIGHT - By - ALL RIGHTS RESERVED.

LOC	DIST	REVISIONS					
AF	50	P	LTR	DESCRIPTION	DATE	DWN	APVD
			AK	REVISED PER ECR-18-013409	03SEP2018	BDA	LB

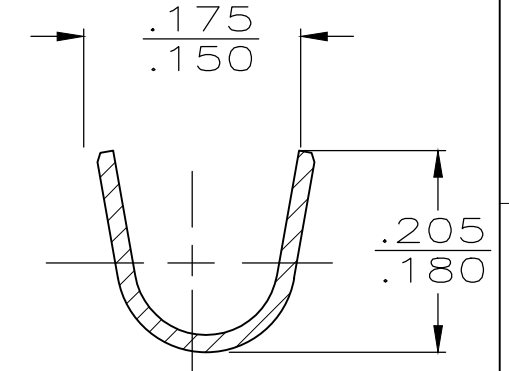


- 1 CONTINUOUS STRIP ON REELS.
- 2 FOREIGN PRODUCTION ONLY
- 3 LANCE IN 1-60295-2 ONLY.
- 4 INTERLEAVING PAPER

SECTION A-A



SECTION B-B



SECTION C-C

OBSOLETE	4 TIN	.085-.125	22-18	.032 ±.001	60295-4
	3 TIN	.085-.125	22-18	.032 ±.001	1-60295-2
	OBSOLETE NICKEL	.085-.125	22-18	.032 ±.001	60295-3
	TIN	.085-.125	22-18	.032 ±.001	60295-2
	-	.085-.125	22-18	.032 ±.001	60295-1
	FINISH	INSULATION RANGE	WIRE SIZE	TAB THK	PART NO

THIS DRAWING IS A CONTROLLED DOCUMENT.		DWN	JR RUTH	4/28/86	TE Connectivity .250 SERIES FASTIN - FASTON RECEPTACLE					
DIMENSIONS: INCHES		CHK	G YETTER	4/28/86				NAME		
TOLERANCES UNLESS OTHERWISE SPECIFIED:		APVD	R KUZO	4/28/86				PRODUCT SPEC		
0 PLC ± - 1 PLC ± - 2 PLC ± - 3 PLC ± .015 4 PLC ± - ANGLES ± -		APPLICATION SPEC						RESTRICTED TO		
MATERIAL: BRASS		FINISH: SEE ABOVE		WEIGHT: -	SIZE: A3	CAGE CODE: 00779	DRAWING NO: C-60295			
CUSTOMER DRAWING				SCALE: 1:1	SHEET: 1 OF 1	REV: AK				