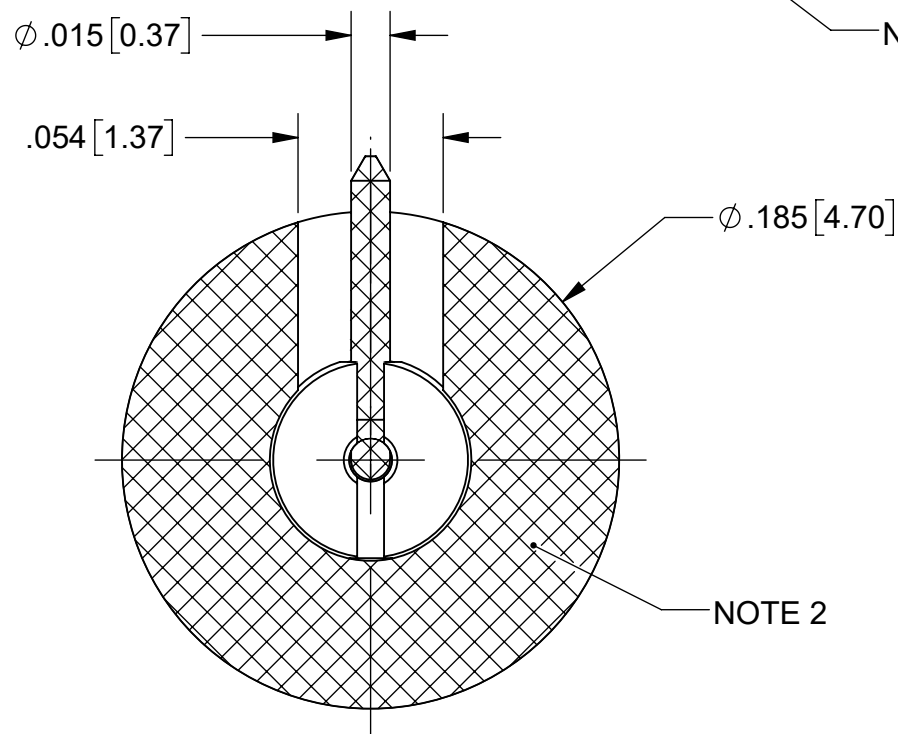
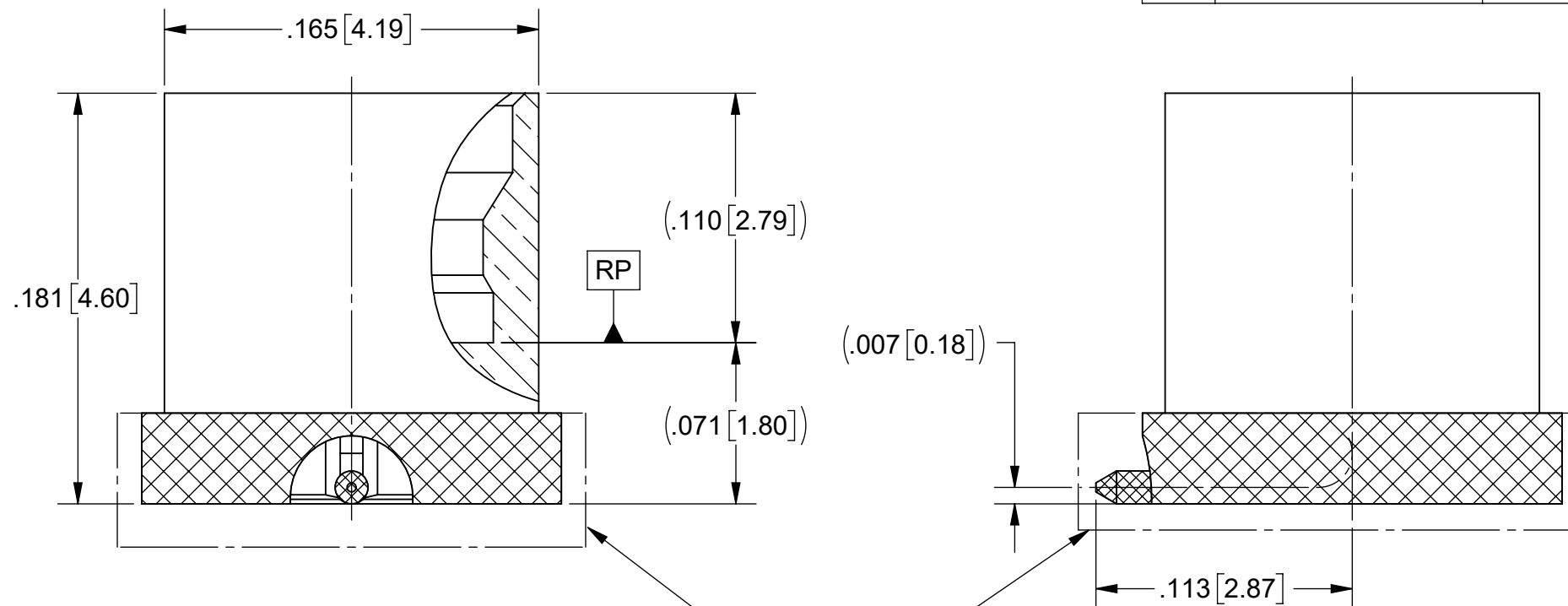
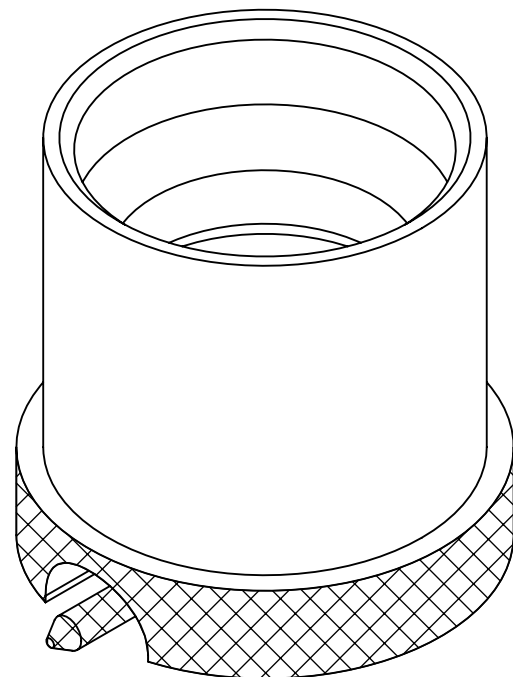


PRODUCT DATA DRAWING

REVISION HISTORY			
REV	DESCRIPTION	DATE	APPROVED
-	NRN 44728	04/20	STW
A	DCN 49919	06/20	STW



MATERIAL:

BODY & CONTACT: BERYLLIUM COPPER PER ASTM B196, ALLOY No. UNS C17300, TD04

INSULATOR: POLYAMIDE-IMIDE

FINISH:

BODY & CONTACT: GOLD PER ASTM B488, TYPE II, CODE C, CLASS .76, OVER NICKEL PER AMS-QQ-N-290, CLASS 1, .00010" MIN.

PERFORMANCE:

IMPEDANCE: 50 OHMS
FREQ. RANGE: DC TO 25.0 GHz.


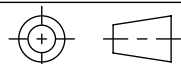
NOTES:

1. DIMENSIONS APPLY PRIOR TO PRE-TINNING
2. Sn63 SOLDER REQUIRED IN HATCHED AREA.
3. SOLDER PERMISSIBLE ON OUTER AND ADJACENT SURFACES OF BODY IN THIS AREA.
4. PART TO BE SHIPPED WITH TAPE AND REEL.

NOTE 3

NOTE 2

PART NUMBER	INTERFACE
1211-40087	SMOOTH BORE
1211-40088	LIMITED DETENT
1211-40089	FULL DETENT

MATERIAL: SEE NOTES	DIMENSIONS ARE IN INCHES TOLERANCES: FRACTIONAL: $\pm 1/64$ ANGULAR: X° $\pm 1'0''$ X°X' $\pm 15''$	UNLESS OTHERWISE SPECIFIED 1) ALL DIMENSIONS ARE IN INCHES (MILLIMETERS) 2) ALL DIMENSIONS ARE AFTER PLATING. 3) BREAK CORNERS & EDGES .005 R. MAX. 4) CHAM. 1ST & LAST THREADS. 5) SURFACE ROUGHNESS 63-MIL-STD-10. 6) DIA: 'S ON COMMON CENTERS TO BE CONCENTRIC WITHIN .005 T.I.R. 7) REMOVE ALL BURRS	 TITLE: SMP MALE SURFACE MOUNT WITH R/A CONTACT
FINISH: SEE NOTES	DECIMAL: X $\pm .030$.XX $\pm .010$.XXX $\pm .005$		
SURFACE AREA: N/A	INTERPRET DIMENSIONS AND TOLERANCES PER ASME Y14.5M - 1994	THIRD ANGLE PROJECTION	DRAWN: DTL 04/02/20 CHECKED: STW 04/02/20 APPROVED: STW 04/02/20
PROPRIETARY THE INFORMATION CONTAINED IN THIS DRAWING IS THE SOLE PROPERTY OF SV MICROWAVE, INC. ANY REPRODUCTION IN PART OR AS A WHOLE WITHOUT THE WRITTEN PERMISSION OF SV MICROWAVE, INC IS PROHIBITED.			SIZE DWG. NO. B 1211-40087-40089 SCALE: 14:1 SHEET 1 OF 1