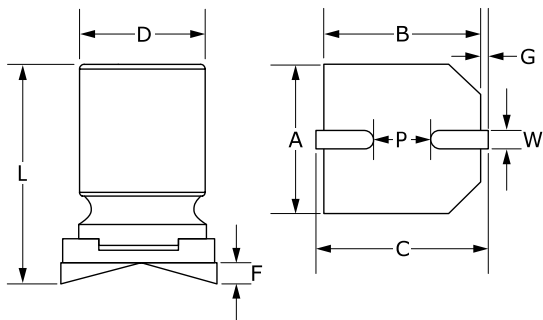


A768, Polymer Aluminum, 330 uF, 20%, 35 VDC, -55/+125°C



General Information	
Series:	A768
Dielectric:	Polymer Aluminum
Style:	SMD Can
Description:	Surface Mount, Polymer Aluminum
RoHS:	Yes
Lead:	V-Chip
Qualifications:	AEC-Q200
AEC-Q200:	Yes
Halogen Free:	Yes

Dimensions	
D	10mm +/-0.5mm
L	12.4mm +/-0.5mm
W	0.7 - 1.1mm
F	0.2mm MAX
A	10.3mm +/-0.2mm
B	10.8mm +/-0.2mm
C	11mm +/-0.2mm
G	0.35mm +/-0.2mm
P	3.2mm NOM

Specifications	
Capacitance:	330 uF
Capacitance Tolerance:	20%
Voltage DC:	35 VDC, 40.2 VDC (Surge)
Temperature Range:	-55/+125°C
Rated Temperature:	125°C
Life:	2000 Hrs
Resistance:	22 mOhms (100kHz 20C)
Ripple Current:	2200 mAmps (100kHz 125C)
High Temperature Solder:	No

Packaging Specifications	
Packaging:	T&R, 380mm
Packaging Quantity:	400

Statements of suitability for certain applications are based on our knowledge of typical operating conditions for such applications, but are not intended to constitute - and we specifically disclaim - any warranty concerning suitability for a specific customer application or use. This Information is intended for use only by customers who have the requisite experience and capability to determine the correct products for their application. Any technical advice inferred from this Information or otherwise provided by us with reference to the use of our products is given gratis, and we assume no obligation or liability for the advice given or results obtained.