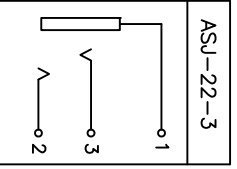
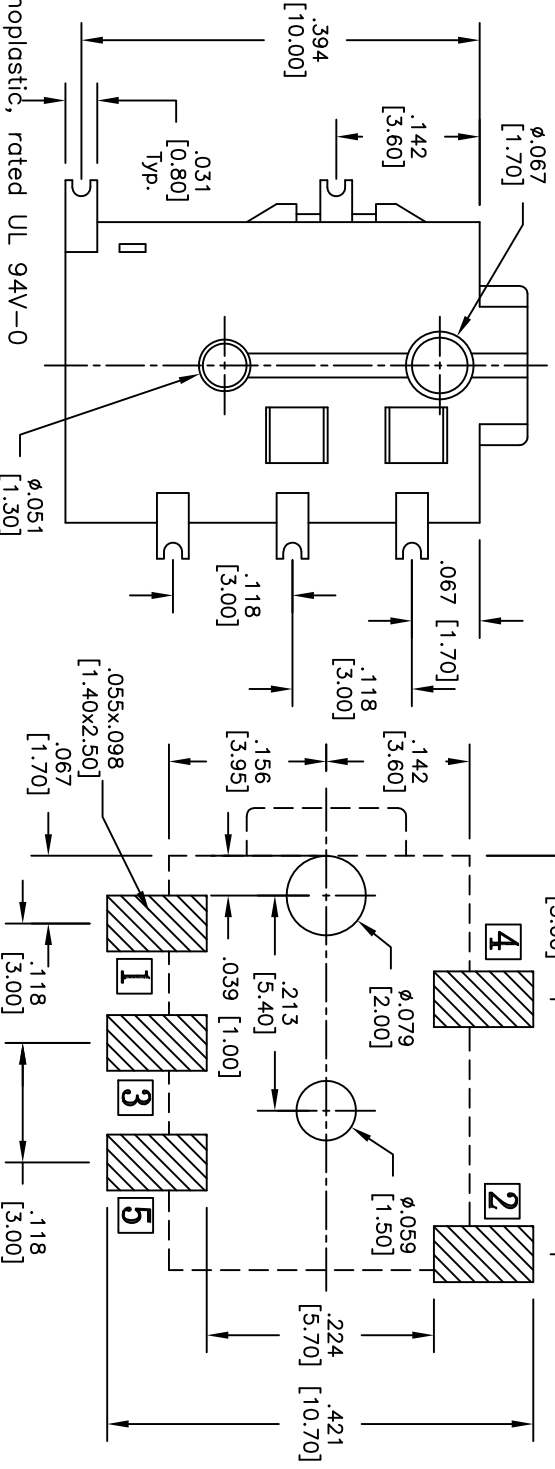
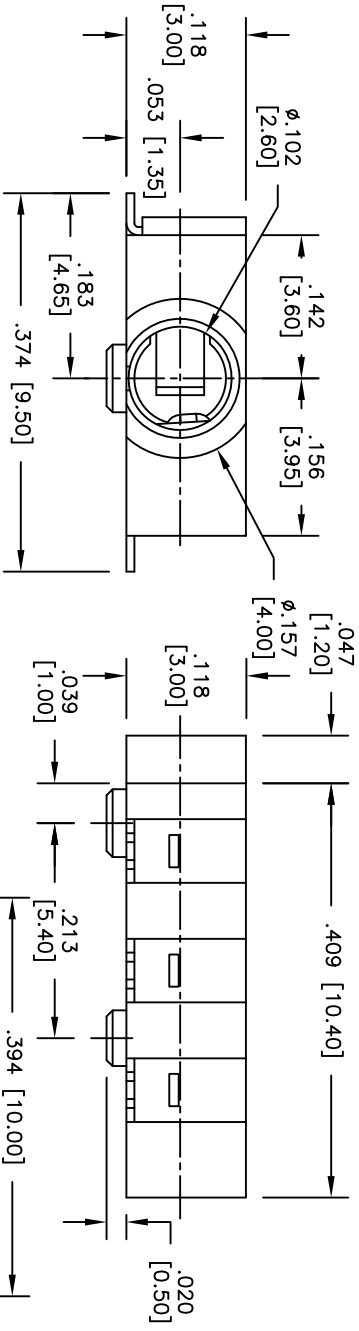


Rev	AWO #	Description	Date	Appr
-		RELEASED	6/16/11	

APPROVED: _____
 DATE: _____ TITLE: _____



SPECIFICATIONS:

Material: Insulator: Hi-temp thermoplastic, rated UL 94V-0
 Insulator color: Black
 Contacts: Copper Alloy
 Plating: Silver over Nickel underplate overall

Electrical:
 Operating voltage: 30 VDC max.
 Current rating: 0.5 Amp max.
 Contact resistance: 30 mohms max. initial
 Insulation resistance: 100 Mohms min.
 Dielectric withstanding voltage: 500 VAC for 1 minute

Environmental:
 Lead free, RoHS compliant.
 Recommended soldering temp: 260°C for 5 sec.

ADAM TECH
 909 Railway Avenue, Union, NJ 07083
 Phone: 908-687-5000 Fax: 908-687-5710

TITLE: 2.5 PHONE JACK

UNLESS OTHERWISE SPECIFIED ALL DIMENSIONS ARE IN INCHES [MM]	
TOLERANCES: EXCEPT AS NOTED	
INCHES	MM
.X	$\pm .10$
.XX	$\pm .020$
.XXX	$\pm .015$
.XXX	$\pm .010$
APPROVALS	DATE
DRAWN	DY
CHECKED	
APPROVED	

SIZE	PART NO.	REV.
X	ASJ-22-3	-
REF:	S00022C	
SCALE:	NTS	
SHEET	1 OF 1	