

Technical Data Sheet

Top LEDs

67-11-BLT-K0Q1R2A9A-2T8-AM

Lead (Pb) Free Product - RoHS Compliant



Feature

- P-LCC-2 package.
- Colored diffused resin.
- Wide viewing angle 120°.
- Inner reflector and white package.
- Brightness: 71 to 180 mcd at 2mA.
- Precondition: Bases on JEDEC J-STD 020D Level 2.
- Qualification according to AEC-Q101 rev C.
- Automotive reflow profile (IR reflow or wave soldering)

Applications

- Automotive backlighting or indicator: Interior and exterior lighting, Dashboard, switch, reading lamp, audio and video equipments...etc.
- Backlight: LCD, switches, symbol, mobile phone and illuminated advertising.
- Display for indoor and outdoor application.
- Ideal for coupling into light guides.
- Substitution of traditional light.
- Optical indicator.
- General applications.

Device Selection Guide

| Chip | Emitted Color | Resin Color |
|----------|---------------|-------------|
| Material | | |
| InGaN | White | Yellowish |

Technical Data Sheet

Top LEDs

67-11-BLT-K0Q1R2A9A-2T8-AM

Absolute Maximum Ratings (Ta=25°C)

| Parameter | Symbol | Rating | Unit |
|--|---------------------|---|------|
| Reverse Voltage | V _R | 5 | V |
| Forward Current | I _F | 30 | mA |
| Peak Forward Current (Duty 1/10 @ 1KHz) | I _{FP} | 100 | mA |
| Power Dissipation | P _d | 120 | mW |
| Junction Temperature | T _j | 125 | °C |
| Operating Temperature | T _{opr} | -40 ~ +100 | °C |
| Storage Temperature | T _{stg} | -40 ~ +110 | °C |
| Thermal resistance | R _{th J-A} | 600 | K/W |
| | R _{th J-S} | 400 | K/W |
| ESD (Classification acc. AEC Q101) | ESD _{HBM} | 2000 | V |
| | ESD _{MM} | 200 | V |
| Soldering Temperature | T _{sol} | Reflow Soldering : 260 °C for 30 sec. Hand Soldering : 350 °C for 3 sec. | |

Technical Data Sheet

Top LEDs

67-11-BLT-K0Q1R2A9A-2T8-AM

Electro-Optical Characteristics (Ta=25°C)

| Parameter | Symbol | Min. | Typ. | Max. | Unit | Condition |
|---|-----------------------------|-------|-------|-------|------|---------------------|
| Luminous Intensity | I _v | 71 | ----- | 180 | mcd | I _F =2mA |
| Viewing Angle | 2θ _{1/2} | ----- | 120 | ----- | deg | I _F =2mA |
| Forward Voltage | V _F | 2.5 | ----- | 3.5 | V | I _F =2mA |
| Temperature coefficient of λ _p | TC _{λ_p} | ----- | ----- | 10 | μA | V _R =5V |
| Temperature coefficient of λ _d | TC _{λ_d} | ----- | 0.03 | ----- | nm/K | I _F =2mA |
| Temperature coefficient of VF | TC _V | ----- | 0.02 | ----- | nm/K | I _F =2mA |

Note:

1. Tolerance of Luminous Intensity: ±11%
2. Tolerance of Chromaticity Coordinates is ±0.01
3. Tolerance of Forward Voltage: ±0.1V

Technical Data Sheet

Top LEDs

67-11-BLT-K0Q1R2A9A-2T8-AM

Bin Range of Luminous Intensity

| Bin Code | Min. | Max. | Unit | Condition |
|----------|------|------|------|---------------------|
| Q1 | 71 | 90 | mcd | I _F =2mA |
| Q2 | 90 | 112 | | |
| R1 | 112 | 140 | | |
| R2 | 140 | 180 | | |

Notes : Tolerance of Luminous Intensity : ±11%

EVERLIGHT

Technical Data Sheet

Top LEDs

67-11-BLT-K0Q1R2A9A-2T8-AM

Bin Range of Chromaticity Coordinates

| Bin Code | CIE_x | CIE_y | Condition |
|----------|-------|-------|----------------------|
| B5-1 | 0.291 | 0.285 | I _F = 2mA |
| | 0.287 | 0.295 | |
| | 0.297 | 0.305 | |
| | 0.300 | 0.295 | |
| B5-2 | 0.300 | 0.295 | |
| | 0.297 | 0.305 | |
| | 0.307 | 0.315 | |
| | 0.309 | 0.304 | |
| B5-3 | 0.296 | 0.276 | |
| | 0.291 | 0.285 | |
| | 0.300 | 0.295 | |
| | 0.303 | 0.285 | |
| B5-4 | 0.303 | 0.285 | |
| | 0.300 | 0.295 | |
| | 0.309 | 0.304 | |
| | 0.311 | 0.294 | |

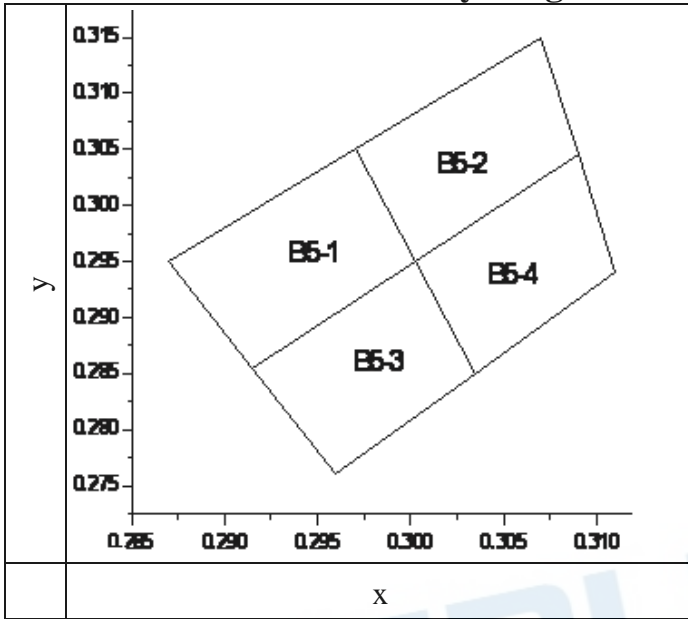
Notes : Tolerance Chromaticity Coordinates : ±0.01

Technical Data Sheet

Top LEDs

67-11-BLT-K0Q1R2A9A-2T8-AM

The C.I.E. 1931 Chromaticity Diagram



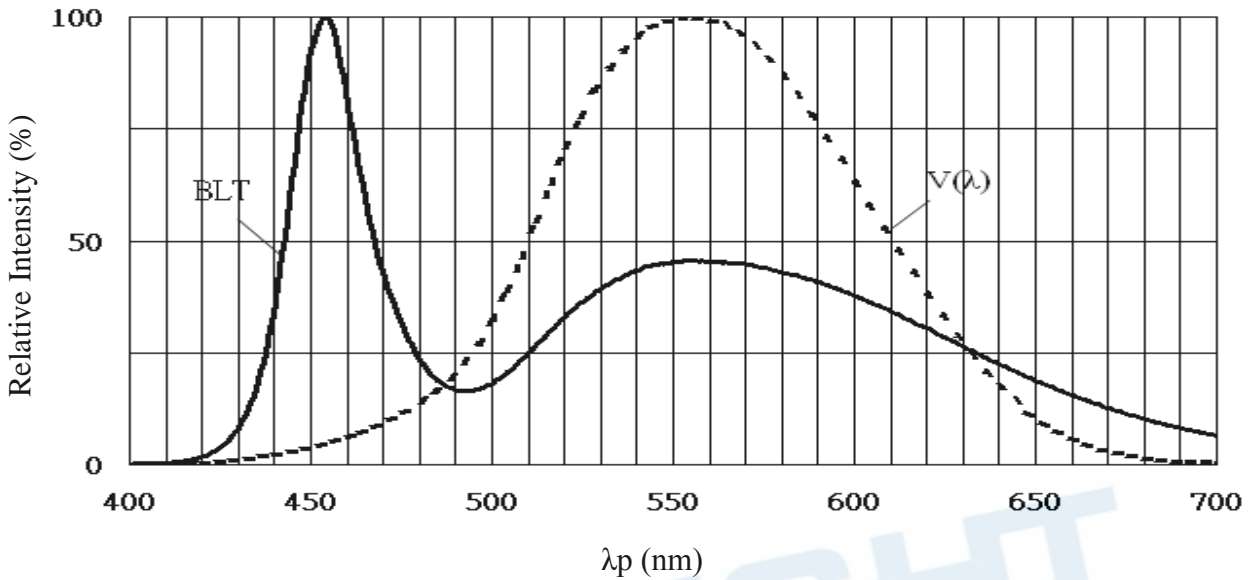
Technical Data Sheet

Top LEDs

67-11-BLT-K0Q1R2A9A-2T8-AM

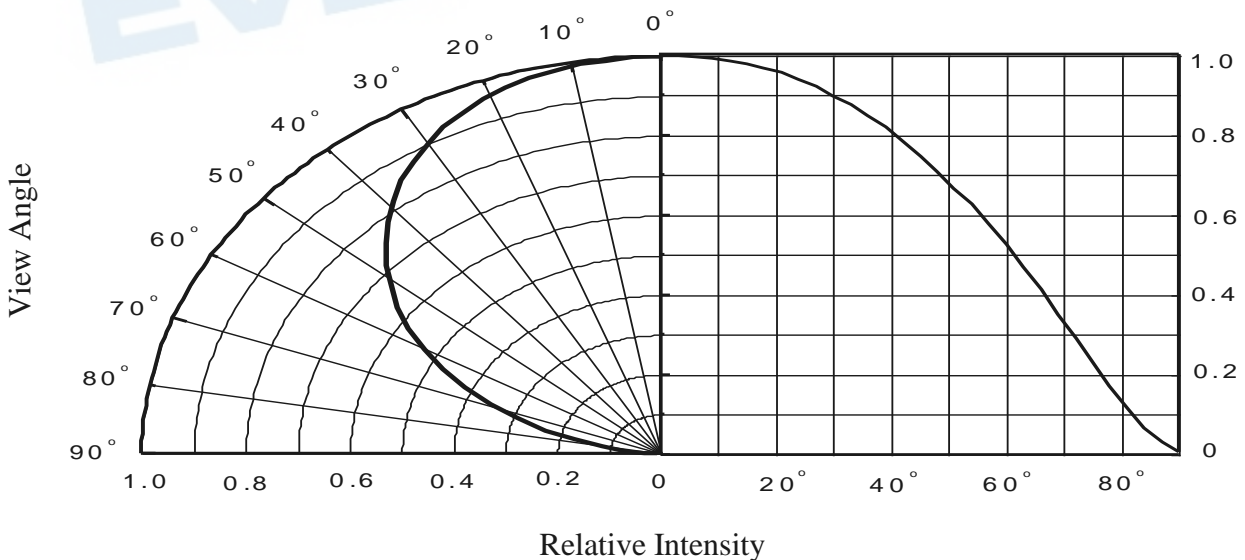
Typical Electro-Optical Characteristics Curves

Typical Curve of Spectral Distribution



Note: $V(\lambda)$ =Standard eye response curve

Diagram Characteristics of Radiation

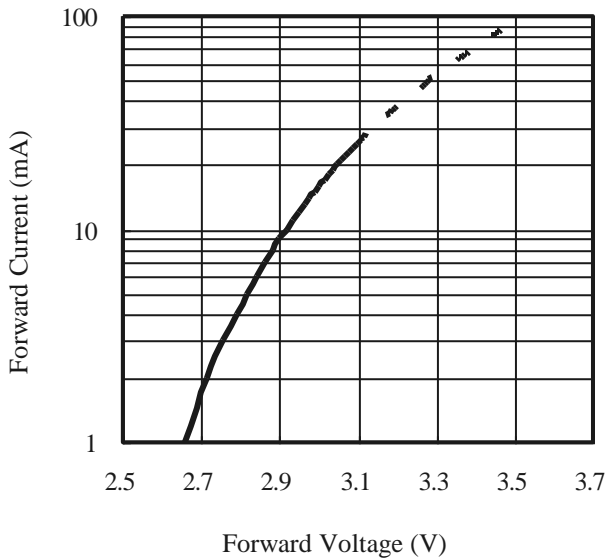


Technical Data Sheet

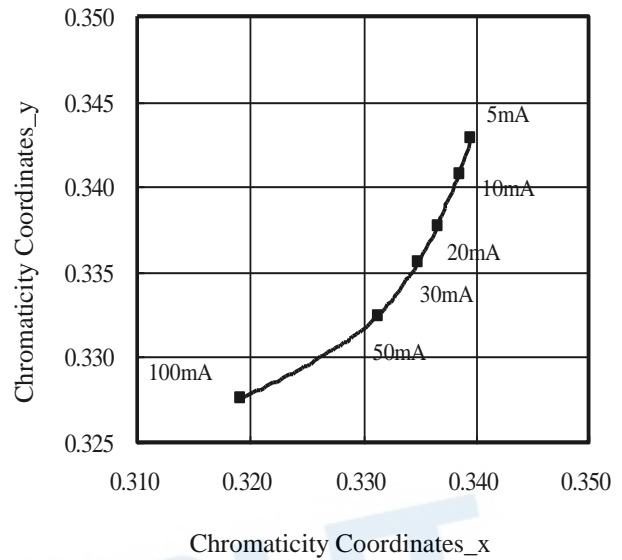
Top LEDs

67-11-BLT-K0Q1R2A9A-2T8-AM

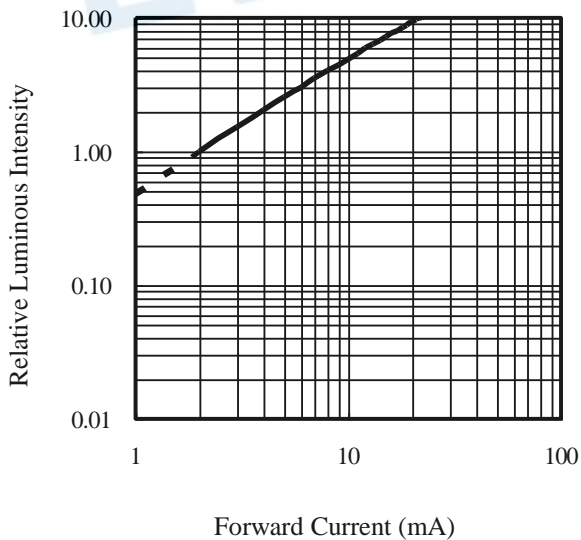
Forward Current vs. Forward Voltage
($T_a=25^\circ\text{C}$)



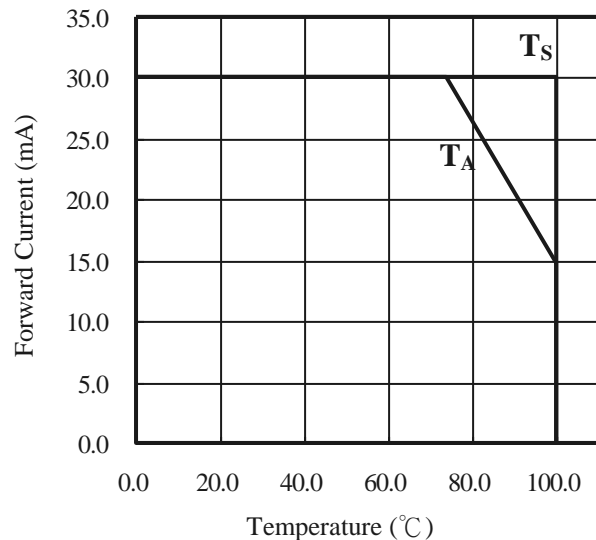
Chromaticity Coordinates vs. Forward Current ($T_a=25^\circ\text{C}$)



Relative Luminous Intensity vs. Forward Current ($T_a=25^\circ\text{C}$)



Forward current vs. Ambient and Solder Temperature

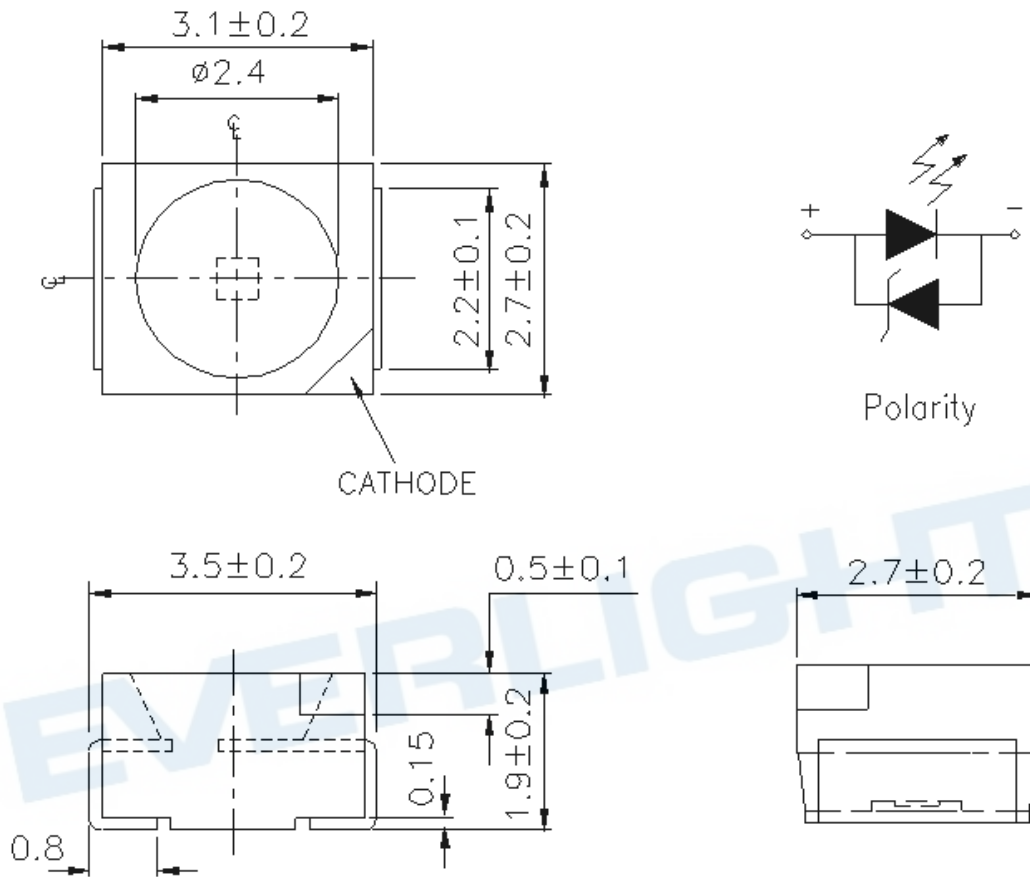


Technical Data Sheet

Top LEDs

67-11-BLT-K0Q1R2A9A-2T8-AM

Package Dimension



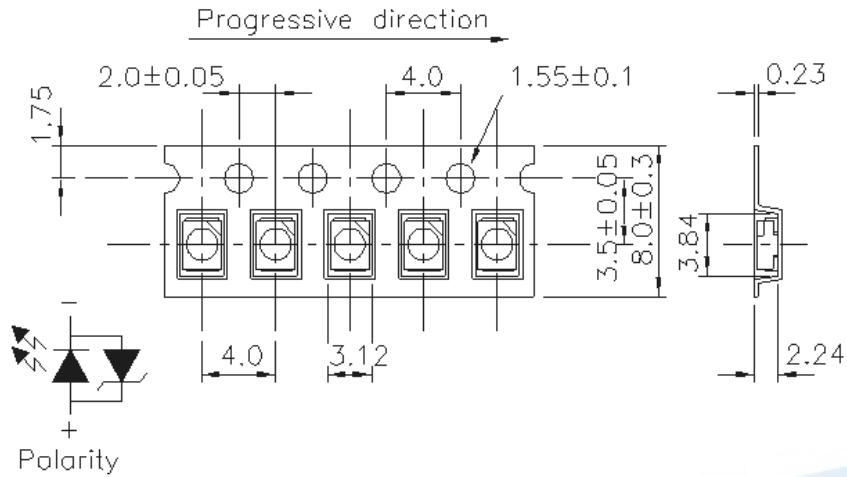
Note: Tolerances unless mentioned ± 0.1 mm. Unit = mm

Technical Data Sheet

Top LEDs

67-11-BLT-K0Q1R2A9A-2T8-AM

Carrier Tape Dimensions: Loaded Quantity 2000 pcs Per Reel



Note: Tolerances unless mentioned ± 0.1 mm. Unit = mm

Label Explanation

- CPN: Customer's Product Number
- P/N: Product Number
- QTY: Packing Quantity
- CAT: Luminous Intensity Rank
- HUE: Dom. Wavelength Rank
- REF: Forward Voltage Rank
- LOT No: Lot Number

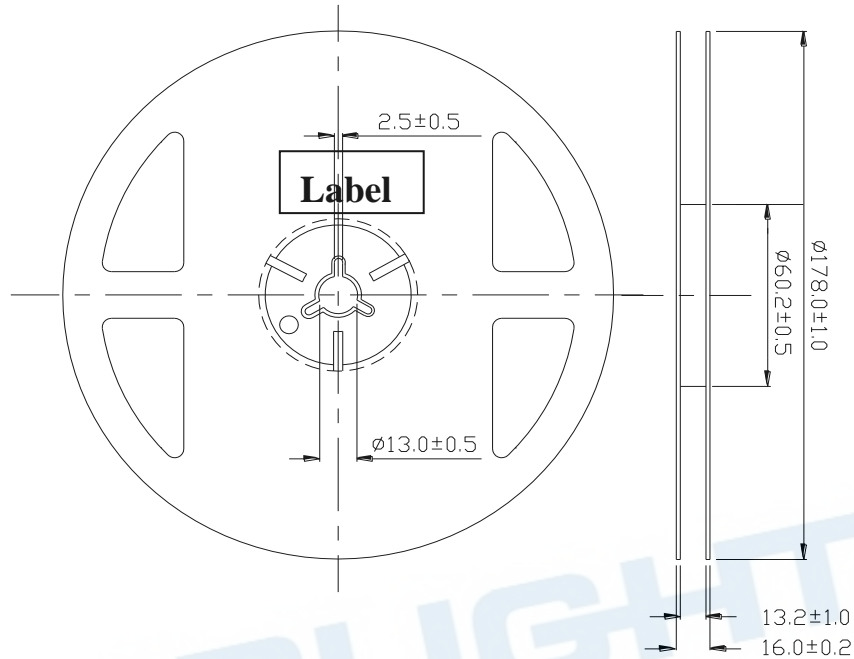


Technical Data Sheet

Top LEDs

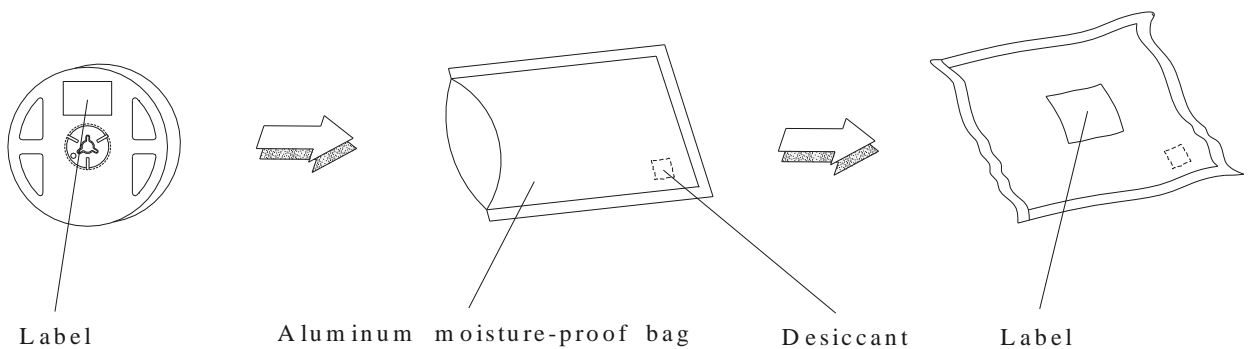
67-11-BLT-K0Q1R2A9A-2T8-AM

Reel Dimensions



Note: Unit = mm

Moisture Resistant Packing Process



Technical Data Sheet

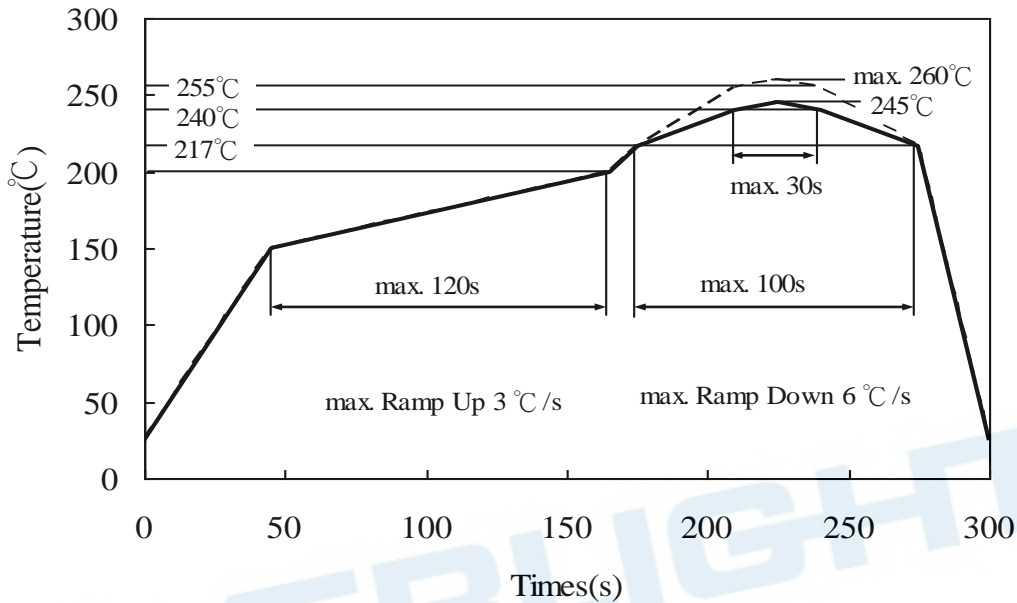
Top LEDs

67-11-BLT-K0Q1R2A9A-2T8-AM

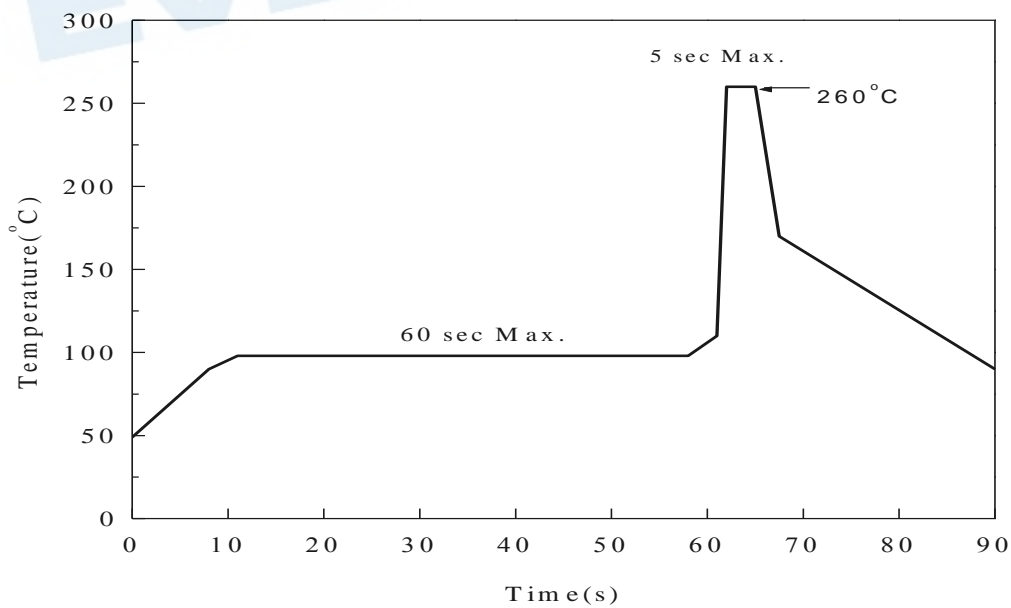
Precautions for Use

1. Soldering Condition (Reference: IPC/JEDEC J-STD-020D)

a. IR reflow



b. Wave soldering reflow

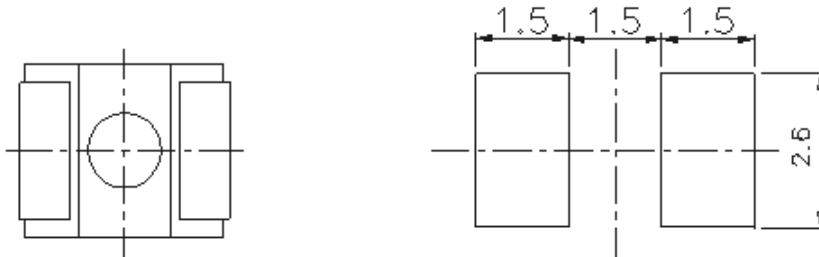


Technical Data Sheet

Top LEDs

67-11-BLT-K0Q1R2A9A-2T8-AM

(B) Recommend soldering pad



Note: Tolerances unless mentioned $\pm 0.1\text{mm}$. Unit = mm

2. Current limiting

A resistor should be used to limit current spikes that can be caused by voltage fluctuations. Otherwise damage could occur.

3. Storage

- 3.1 Moisture proof bag should only be opened immediately prior to usage.
- 3.2 Environment should be less than 30°C and 60% RH when moisture proof bag is opened.
- 3.3 After opening the package MSL Conditions stated on page 1 of this spec should not be exceeded.
- 3.4 If the moisture sensitivity card indicates higher than acceptable moisture, the component should be baked at min. $60\text{deg} \pm 5\text{deg}$ for 24 hours.

4. Iron Soldering

Hand soldering is not recommended for regular production. These guidelines are for rework only. Soldering iron tip should contact each terminal no more than 3 sec at 350°C , using soldering iron with nominal power less than 25W. Allow min. 2 sec. between soldering intervals.

5. Usage

Do not exceed the values given in this specification.

Application Restrictions

High reliability applications such as military/aerospace, automotive safety/security systems, and medical equipment may require different product. If you have any concerns, please contact Everlight before using this product in your application. This specification guarantees the quality and performance of the product as an individual component. Do not use this product beyond the specification described in this document.



Technical Data Sheet

Top LEDs

67-11-BLT-K0Q1R2A9A-2T8-AM

Revision History:

| Rev. | Modified date | File modified contents |
|------|---------------|------------------------|
| 1 | 2010/12/1 | New Spec |
| | | |
| | | |
| | | |
| | | |
| | | |
| | | |

