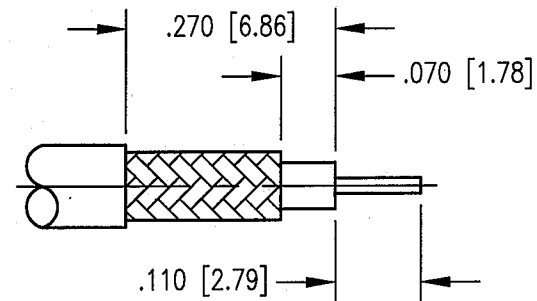
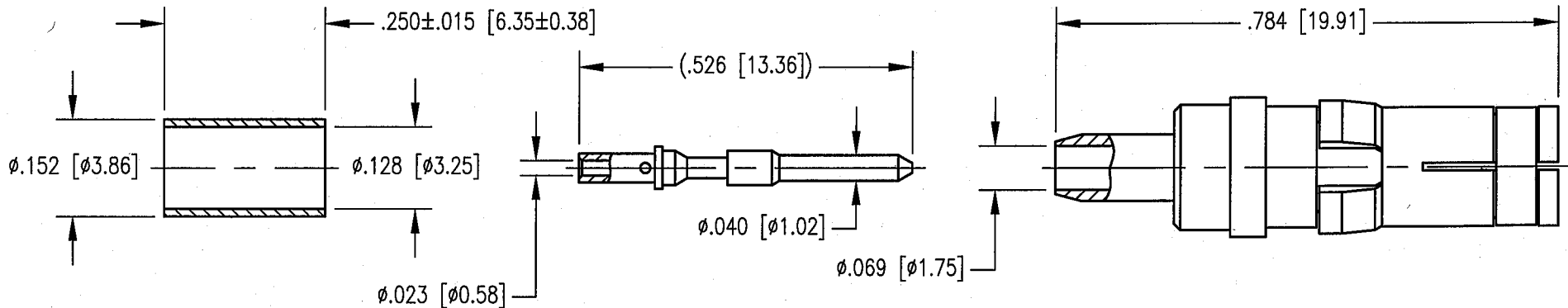


REV	DESCRIPTION	BY DATE	APPD
C	ECR 7560	12/12/02	<i>[Signature]</i>



CABLE TRIMMING DIMENSIONS

NOTES:

- MATERIALS:
 RETAINING RING: BERYLLIUM COPPER PER ASTM B194
 CLIP RING: PHOSPHOR BRONZE PER ASTM B103
 FERRULE: COPPER ALLOY
 ALL OTHER METAL PARTS: BRASS PER ASTM B16
 INSULATOR: TEFLON PER ASTM D1710
- FINISH:
 CENTER CONTACT AND BODY: .000015 MIN. GOLD PER MIL-G-45204 OVER
 .000050 MIN. NICKEL PER QQ-N-290
 RETAINING RING AND CLIP RING: .000100 MIN. NICKEL PER QQ-N-290 OVER
 COPPER FLASH
 FERRULE: .000100 MIN. TIN PER MIL-T-10727 OVER
 COPPER FLASH
- FOR USE WITH RG-316 CABLE OR EQUIVALENT.
- FOR CABLING PROCEDURES USE CAP 9-07 WITH TRIMMING DIMENSIONS SHOWN.
- CRIMP FERRULE USING .128 HEX DIE.

PER ASME Y14.5M-1994 UNLESS OTHERWISE SPECIFIED: DIMENSIONS ARE IN INCHES (MM) TOLERANCES: DECIMALS .XX ± .01 [0.254] .XXX ± .005 [0.127] ANGLES ± 2° SCALE: 4:1		NORTHROP GRUMMAN Winchester Electronics 400 Park Road Watertown, CT 06795	
CUSTOMER DRAWING		TITLE RDM STRAIGHT RECEPTACLE	
DRAWN JED	DATE 12/12/02	CHECKED [Signature]	DATE 12/13/02
APPROVED [Signature]	DATE 12/13/02	APPROVED [Signature]	DATE 12/13/02
A 241-910-0635C		SHT. 1 OF 1	REV. C