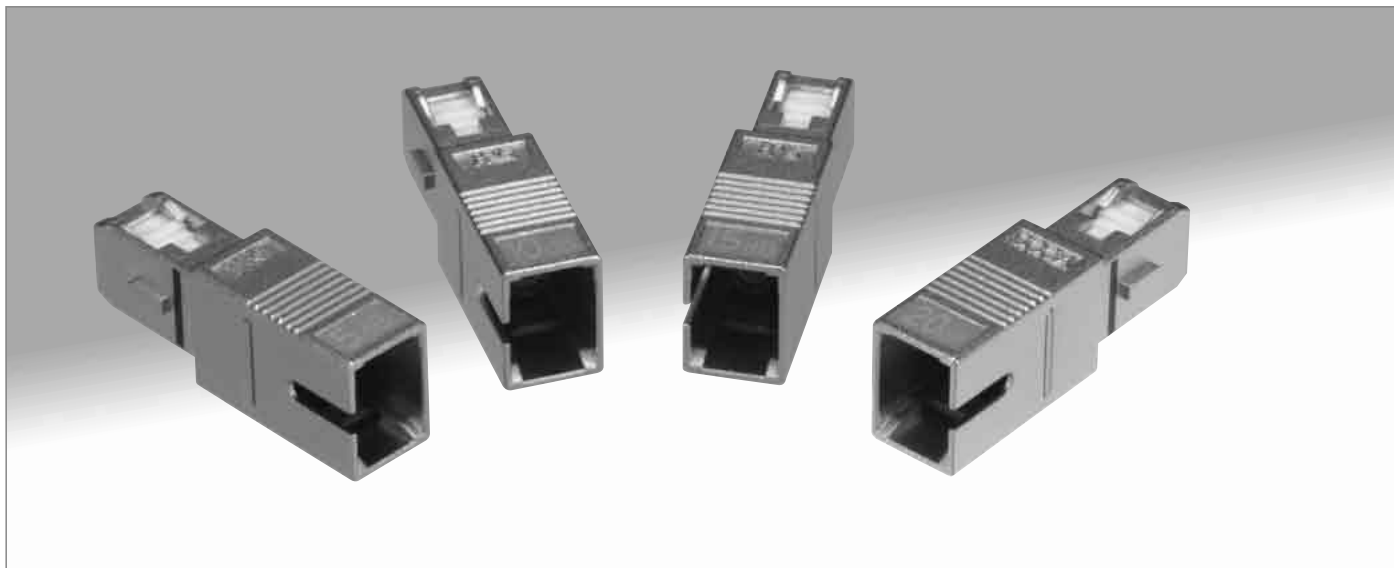


SC Type Fixed Attenuators(for multimode)

HSC-AT5 Series



■Features

1. SC Type : IEC 61754-4(JIS C 5973)
- 2.For Multi Mode
- 3.Operating wavelength : 1310nm

■Applications

Power level adjustment of optical fiber communication networks.

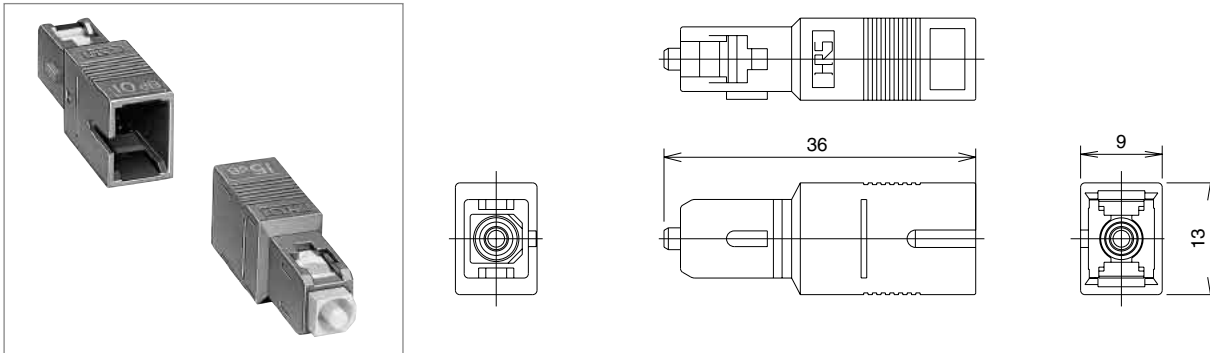
■Product Specifications

Ratings	Operating temperature range	-25°C to +70°C	Storage temperature range	-25°C to +85°C
	Max. Input Power	10mW	Fiber type	GI

Item		Test Method	Specifications
Optical Characteristics	Return Loss	Wavelength : 1310nm	≥22dB
	Attenuation		Attenuation tolerance ±1.5 dB
Mechanical Characteristics	Engagement and Separation forces	Engagement and separation forces at 50mm/s.	Engagement force ≤ 19.6N Separation force ≤ 19.6N
	Gauge retention force	Zirconia pin gauge at φ2.499 ±0.0005mm.	2.0N to 5.9N
	Durability	500 times	1) Attenuation and return loss shall be satisfied before and after the test. 2) No breakage, crack or looseness on components.
	Vibration	Frequency:10 to 55 Hz, single amplitude of 0.75mm, 3 hours in each of the 3 axis.	
Environmental Characteristics	Impact	Acceleration of 981 m/s ² , 6 ms duration, sine half-wave waveform, 3 cycles in each of the 3 axis.	No significant corrosion.
	Heat/humidity cycles	Humidity : 90 % to 96 % Temperature : -10 °C to 65 °C, Time : 240 hours (10 Cycles)	
	Heat cycles	Temperature : -25°C to +70°C, 100 cycles,	
	Dray heat	500 hours at 85°C.	
	Cold	500 hours at -25°C.	
Salt mist	48 hours in a 5% concentration of salt mist		

Materials

Part	Material
Body	Zinc alloy
Ferrule	Zirconia
Split sleeve	Phosphor Bronze



PC Polishing type: Return Loss $\geq 22\text{dB}$

Part Number	CL No.	Attenuation	Attenuation Tolerance	Return Loss	Wavelength	Split Sleeve	Fiber type
HSC-AT5S-B05A (40)	820-3022-0-40	5dB	$\pm 1.5\text{dB}$	$\geq 22\text{dB}$	1310nm	Phosphor Bronze	GI-50/125
HSC-AT5S-B10A (40)	820-3023-2-40	10dB					
HSC-AT5S-B15A (40)	820-3024-5-40	15dB					
HSC-AT5S-B20A (40)	820-3025-8-40	20dB					

SC

FC

MU

Harsh Environment

Attenuators

Terminators

POF / PCF