

Directional Couplers

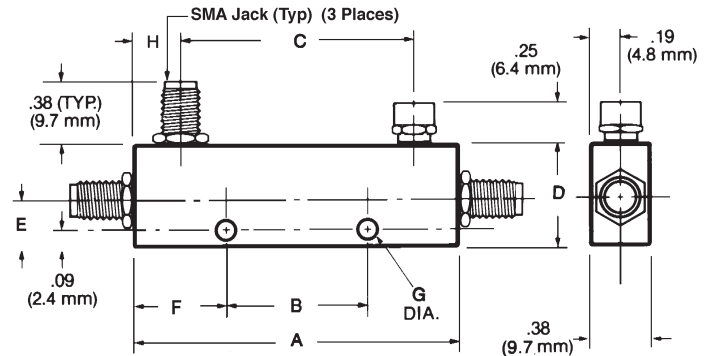
Multi-Octave

2025 Series

V2.00

Features

- Flat Frequency Response
- Frequency Range: 0.5-18 GHz
- Multi-Octave Bandwidths
- Temperature Range: -54 to +125°C
- Meets MIL-E-5400 Environments



NOTE: All dimensions are $\pm .020$, except mounting hole diameters ($\pm .005$) and mounting hole location ($\pm .010$).

Specifications

| PART NO. | CASE STYLE | FREQUENCY RANGE (GHz) | COUPLING (INCLUDES FREQUENCY SENSITIVITY) (dB) | FREQUENCY SENSITIVITY (dB) | INSERTION LOSS max. (dB) | DIRECTIVITY min. (dB) | VSWR (max.) | | POWER (INPUT PORT) | | | |
|--------------|------------|-----------------------|--|----------------------------|--------------------------|-----------------------|-------------|-----------|--------------------|----------------|----------|----------------------|
| | | | | | | | PRI. LINE | SEC. LINE | AVG. IN. (W) | AVG. REFL. (W) | PK. (kW) | |
| 2025-6001-06 | 1 | .50-2.0 | 6 \pm 1 | \pm 0.4 | 0.4 | 18 | 1.15 | 1.15 | 50 | 4 | 4 | IMPROVED IMPROVED |
| 2025-6002-10 | 1 | | 10 \pm 1 | \pm 0.4 | 0.35 | 18 | 1.15 | 1.15 | 50 | 10 | 4 | |
| 2025-6003-16 | 1 | | 16 \pm 1* | \pm 0.4 | 0.3 | 22 | 1.15 | 1.15 | 50 | 40 | 4 | |
| 2025-6004-20 | 1 | | 20 \pm 1 | \pm 0.4 | 0.3 | 22 | 1.15 | 1.15 | 50 | 50 | 4 | |
| 2025-6005-06 | 2 | 1.0-4.0 | 6 \pm 1 | \pm 0.4 | 0.35 | 18 | 1.20 | 1.20 | 50 | 4 | 4 | IMPROVED IMPROVED |
| 2025-6006-10 | 2 | | 10 \pm 1 | \pm 0.4 | 0.3 | 18 | 1.20 | 1.20 | 50 | 10 | 4 | |
| 2025-6007-16 | 2 | | 16 \pm 1* | \pm 0.4 | 0.3 | 22 | 1.20 | 1.20 | 50 | 40 | 4 | |
| 2025-6008-20 | 2 | | 20 \pm 1 | \pm 0.4 | 0.3 | 22 | 1.20 | 1.20 | 50 | 50 | 4 | |
| 2025-6009-06 | 3 | 2.0-8.4 | 6 \pm 1 | \pm 0.3 | 0.4 | 18 | 1.25 | 1.25 | 50 | 4 | 4 | |
| 2025-6010-10 | 3 | | 10 \pm 1 | \pm 0.3 | 0.35 | 18 | 1.25 | 1.25 | 50 | 10 | 4 | |
| 2025-6011-16 | 3 | | 16 \pm 1* | \pm 0.3 | 0.35 | 18 | 1.25 | 1.25 | 50 | 40 | 4 | |
| 2025-6012-20 | 3 | | 20 \pm 1 | \pm 0.3 | 0.35 | 20 | 1.25 | 1.25 | 50 | 50 | 4 | |
| 2025-6013-06 | 4 | 4.0-12.4 | 6 \pm 1 | \pm 0.4 | 0.5 | 15 | 1.30 | 1.30 | 50 | 4 | 4 | |
| 2025-6014-10 | 4 | | 10 \pm 1 | \pm 0.4 | 0.5 | 15 | 1.30 | 1.30 | 50 | 10 | 4 | |
| 2025-6015-16 | 4 | | 16 \pm 1* | \pm 0.4 | 0.5 | 15 | 1.30 | 1.30 | 50 | 40 | 4 | |
| 2025-6016-20 | 4 | | 20 \pm 1 | \pm 0.4 | 0.5 | 15 | 1.30 | 1.30 | 50 | 50 | 4 | |
| 2025-6017-06 | 5 | 6.0-18.0 | 6 \pm 1 | \pm 0.4 | 0.7 | 15 | 1.40 | 1.40 | 50 | 4 | 2 | |
| 2025-6018-10 | 5 | | 10 \pm 1 | \pm 0.4 | 0.6 | 16 | 1.40 | 1.40 | 50 | 10 | 2 | |
| 2025-6019-16 | 5 | | 16 \pm 1* | \pm 0.4 | 0.6 | 16 | 1.40 | 1.40 | 50 | 40 | 2 | |
| 2025-6020-20 | 5 | | 20 \pm 1 | \pm 0.4 | 0.6 | 15 | 1.40 | 1.40 | 50 | 50 | 2 | |

*Reference to output port for use as leveling coupler.

Mechanical Specifications

| CASE STYLE | SIZE, INCHES (mm) | | | | | | | | | WEIGHT | |
|------------|-------------------|-------------|-------------|------------|------------|------------|-------------|------------|------|--------|--|
| | A | B | C | D | E | F | G | H | oz. | g | |
| 1 | 4.92 (125) | 3.5 (89) | 4.42 (112) | .60 (15.2) | .27 (6.73) | .71 (18.1) | .143 (3.63) | .25 (6.4) | 2.10 | 58.8 | |
| 2 | 2.66 (67.6) | 1.48 (37.6) | 2.22 (56.4) | .60 (15.2) | .27 (6.73) | .59 (15) | .143 (3.63) | .22 (5.59) | 1.26 | 35.3 | |
| 3 | 1.99 (50.5) | .88 (22.2) | 1.44 (36.6) | .63 (15.9) | .28 (7.11) | .56 (14.2) | .143 (3.63) | .28 (7.06) | 1.05 | 29.4 | |
| 4 | 1.21 (30.7) | .38 (9.7) | .69 (17.6) | .60 (15.2) | .22 (5.56) | .42 (10.6) | .104 (2.64) | .26 (6.55) | 0.74 | 20.7 | |
| 5 | 1.16 (29.5) | .50 (12.7) | .65 (16.5) | .57 (14.4) | .25 (6.35) | .33 (8.33) | .104 (2.64) | .25 (6.45) | 0.69 | 19.3 | |