

General Description

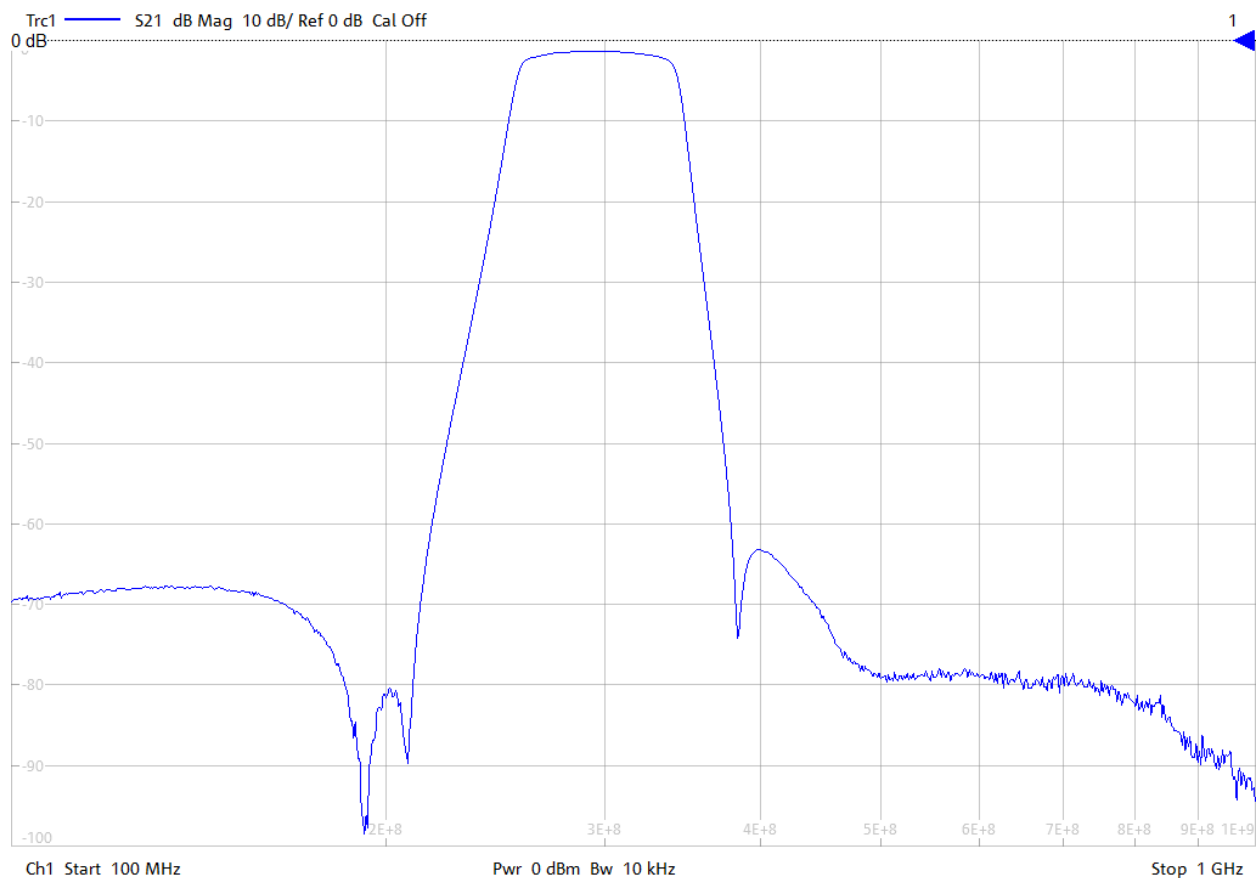
KR Electronics part number 3318 is a 300 MHz bandpass filter. Other frequencies are available. Please consult the factory.

Features

- 300 MHz Bandpass Filter
- 1.5 dB Bandwidth 80 MHz typical
- 40 dB Bandwidth 139 MHz typical
- 50 Ω Source and Load
- Surface Mount
- Also available with SMA Connectors

Typical Performance

Overall Response (10 dB/div)

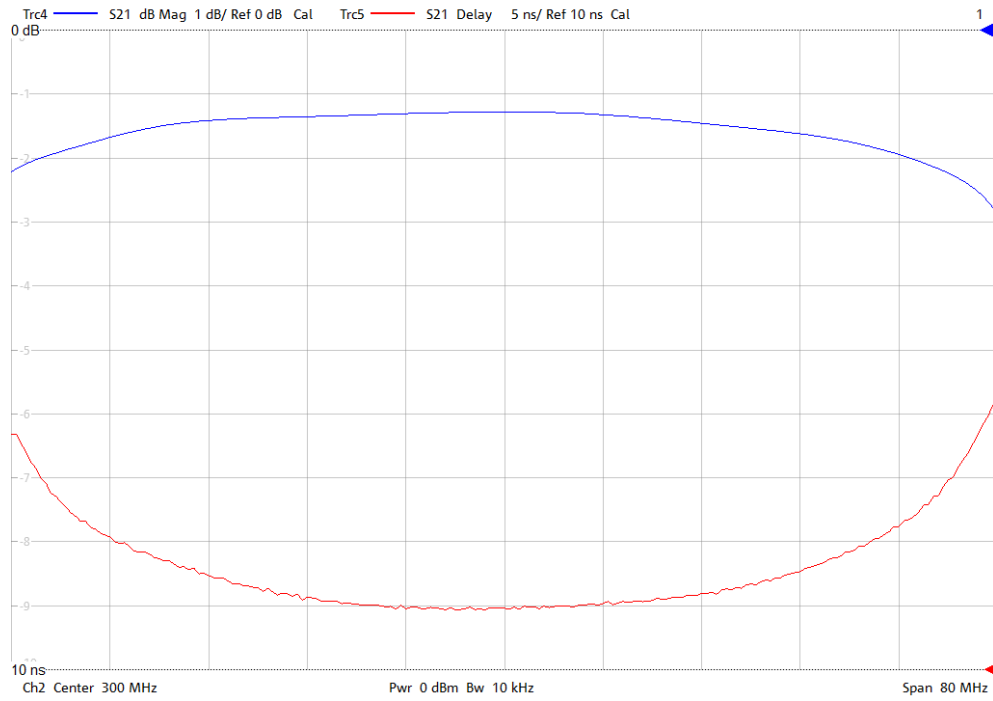


KR Electronics, Inc.
91 Avenel Street
Avenel, NJ 07001

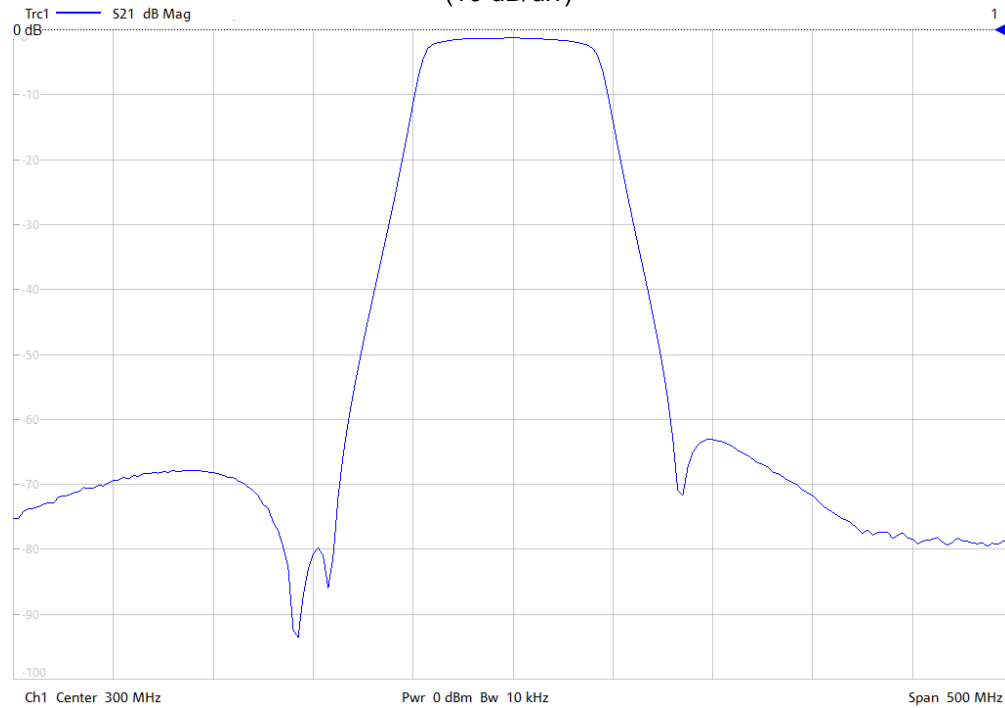
Web www.krfilters.com
Email sales@krfilters.com
Phone (732) 636-1900
Fax (732) 636-1982

KR Electronics 3318

Passband Amplitude & Group Delay (1 dB/div & 5 nsec/div)



Overall Response (10 dB/div)



KR Electronics, Inc.
91 Avenel Street
Avenel, NJ 07001

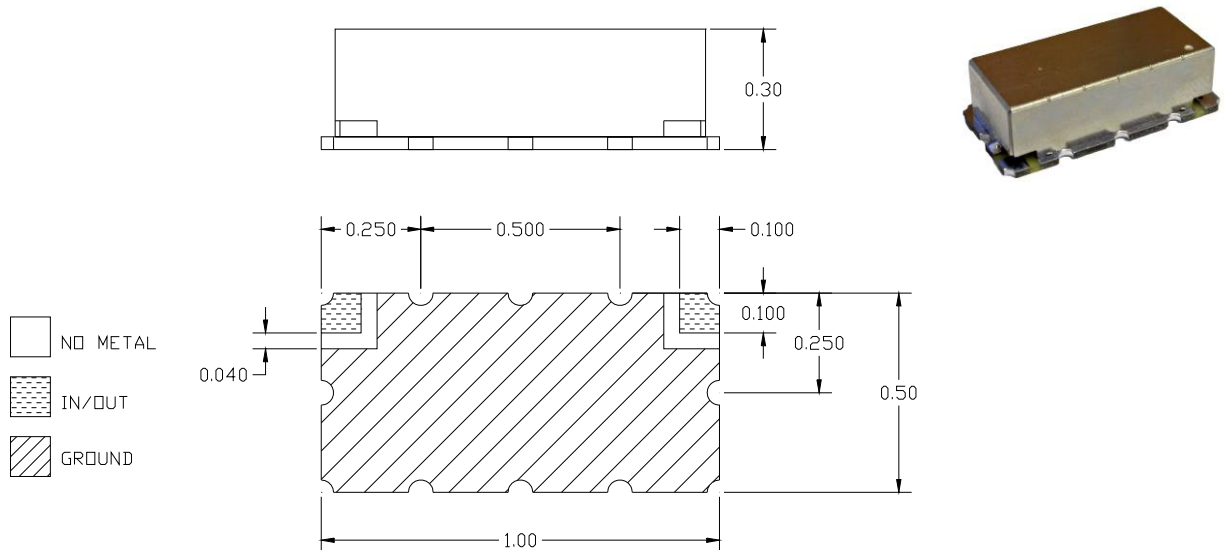
Web www.krfilters.com
Email sales@krfilters.com
Phone (732) 636-1900
Fax (732) 636-1982

KR Electronics 3318

Specifications

Parameter	Specification	Notes
Filter type	Bandpass	
Center Frequency	300 MHz	
Insertion Loss	3 dBa max	1.3 dBa typical
1.5 dBc Bandwidth	80 MHz \pm 4 MHz	
3 dBc Bandwidth	87 MHz typical	
40 dBc Bandwidth	180 MHz max	139 MHz typical
50 dBc Bandwidth	152 MHz typical	
60 dBc Bandwidth	162 MHz typical	
Source and Load	50 Ω	

Physical Dimensions



Notes:

1. Surface mount package
2. Dimensions in inches
3. Max reflow temperature 230° C for 10 sec
4. If boards are cleaned after installation units must be completely dried