



278RXX

LINEAR INTEGRATED CIRCUIT

4 TERMINAL 2A OUTPUT LOW DROP VOLTAGE REGULATOR

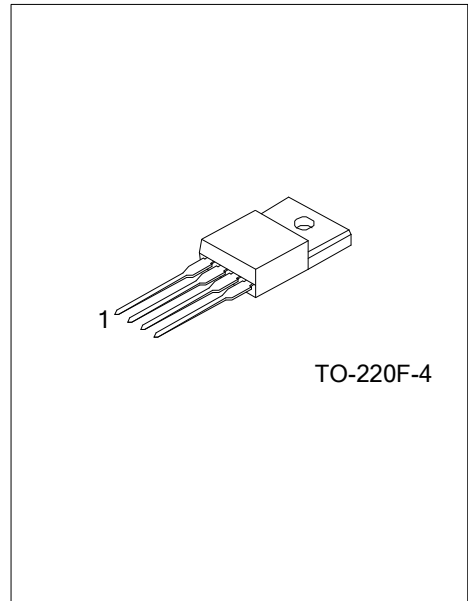
DESCRIPTION

The UTC **278RXX** Series are Low Drop Voltage Regulator suitable for various electronic equipments.

It provides constant voltage power source with TO-220F-4 terminal lead full molded PKG. The Regulator has multi function such as over current protection, overheat protection and ON/OFF control.

FEATURES

- * 2.0A Output Low Drop Voltage Regulator.
- * Built in ON/OFF Control Terminal.
- * Built in Over Current Protection, Over Heat Protection Function.



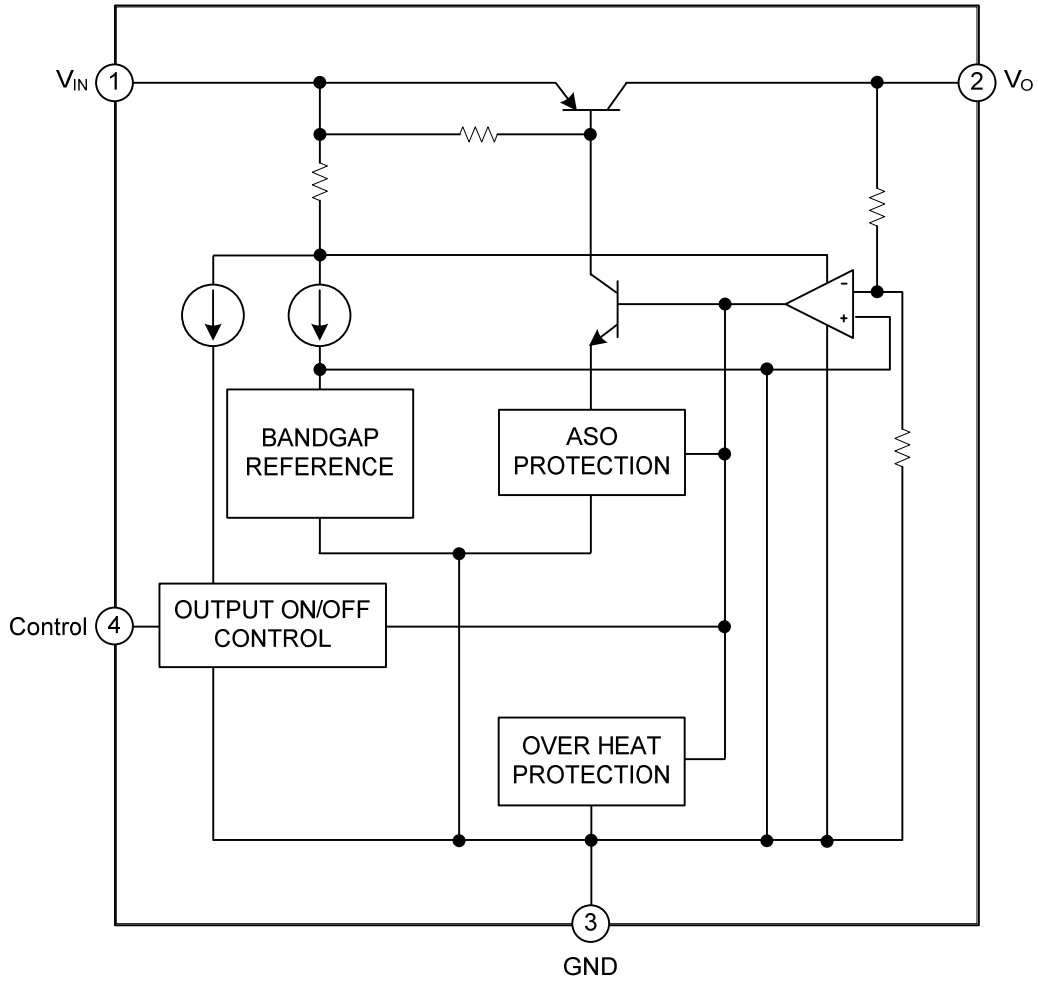
ORDERING INFORMATION

Ordering Number		Package	Packing
Lead Free	Halogen Free		
278RXXL-TF4-T	278RXXG-TF4-T	TO-220F-4	Tube

Note: xx: Output Voltage, refer to Marking Information.

<p>278RXXL-TF4-T</p>	<ul style="list-style-type: none"> (1) T: Tube (2) TF4: TO-220F-4 (3) G: Halogen Free, L: Lead Free (4) XX: Refer to Marking Information
----------------------	--

■ BLOCK DIAGRAM



■ ABSOLUTE MAXIMUM RATING ($T_A=25^{\circ}\text{C}$, unless otherwise specified)

PARAMETER	SYMBOL	RATINGS	UNIT	REMARK
Input Voltage	V_{IN}	35	V	
ON/OFF Control Voltage	V_C	35	V	
Output Current	I_O	2	A	
Power Dissipation 1	P_{D1}	1.5	W	No heatsink
Power Dissipation 2	P_{D2}	15	W	with heatsink
Junction Temperature	T_J	125	$^{\circ}\text{C}$	
Operating Temperature	T_{OPR}	-20~80	$^{\circ}\text{C}$	
Storage Temperature	T_{STG}	-30~125	$^{\circ}\text{C}$	
Soldering Temperature (10sec)	T_{SOL}	260	$^{\circ}\text{C}$	

Note: Absolute maximum ratings are those values beyond which the device could be permanently damaged.
Absolute maximum ratings are stress ratings only and functional device operation is not implied.

■ ELECTRICAL CHARACTERISTICS ($T_A=25^{\circ}\text{C}$, $I_O=1.0\text{A}$, unless otherwise specified)

For 278R05 ($V_{IN}=7\text{V}$)

PARAMETER	SYMBOL	TEST CONDITIONS	MIN	TYP	MAX	UNIT
Output Voltage	V_O		4.88	5.0	5.12	V
Load Regulation	Reg Load	$I_O=5\text{mA}\sim 2\text{A}$		0.1	2.0	%
Line Regulation	Reg Line	$V_{IN}=6\sim 12\text{V}$		0.5	2.5	%
Temperature Coefficient of Output Voltage	$T_C V_O$	$T_J=0\sim 125^{\circ}\text{C}$		± 0.02	± 0.05	$\%/^{\circ}\text{C}$
Ripple Rejection	$R \cdot R$		45	55		dB
Drop Out Voltage (Note)	V_D	$I_O=2\text{A}$			0.5	V
Output ON State for Control Voltage	$V_{C(ON)}$		2.0			V
Output ON State for Control Current	$I_{C(ON)}$	$V_C=2.7\text{V}$			20	μA
Output OFF State for Control Voltage	$V_{C(OFF)}$				0.8	V
Output OFF State for Control Current	$I_{C(OFF)}$	$V_C=0.4\text{V}$			-0.4	mA
Quiescent Current	I_Q	$I_O=0$			10	mA

For 278R12 ($V_{IN}=18\text{V}$)

PARAMETER	SYMBOL	TEST CONDITIONS	MIN	TYP	MAX	UNIT
Output Voltage	V_O		11.70	12.0	12.30	V
Load Regulation	Reg Load	$I_O=5\text{mA}\sim 2\text{A}$		0.1	2.0	%
Line Regulation	Reg Line	$V_{IN}=13\sim 29\text{V}$		0.5	2.5	%
Temperature Coefficient of Output Voltage	$T_C V_O$	$T_J=0\sim 125^{\circ}\text{C}$		± 0.02	± 0.05	$\%/^{\circ}\text{C}$
Ripple Rejection	$R \cdot R$		45	55		dB
Drop Out Voltage (Note)	V_D	$I_O=2\text{A}$			0.5	V
Output ON State for Control Voltage	$V_{C(ON)}$		2.0			V
Output ON State for Control Current	$I_{C(ON)}$	$V_C=2.7\text{V}$			20	μA
Output OFF State for Control Voltage	$V_{C(OFF)}$				0.8	V
Output OFF State for Control Current	$I_{C(OFF)}$	$V_C=0.4\text{V}$			-0.4	mA
Quiescent Current	I_Q	$I_O=0$			10	mA

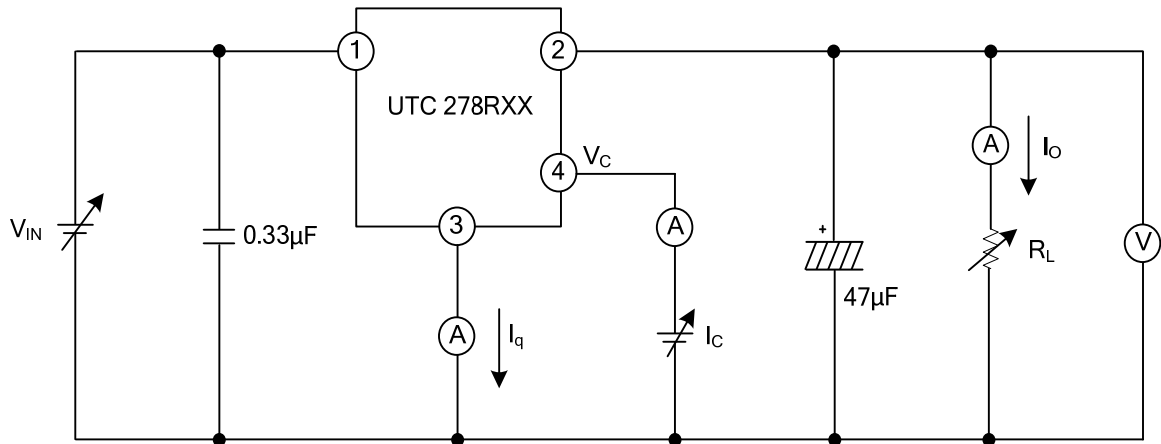
■ ELECTRICAL CHARACTERISTICS (Cont.)

For 278R33 ($V_{IN}=5V$)

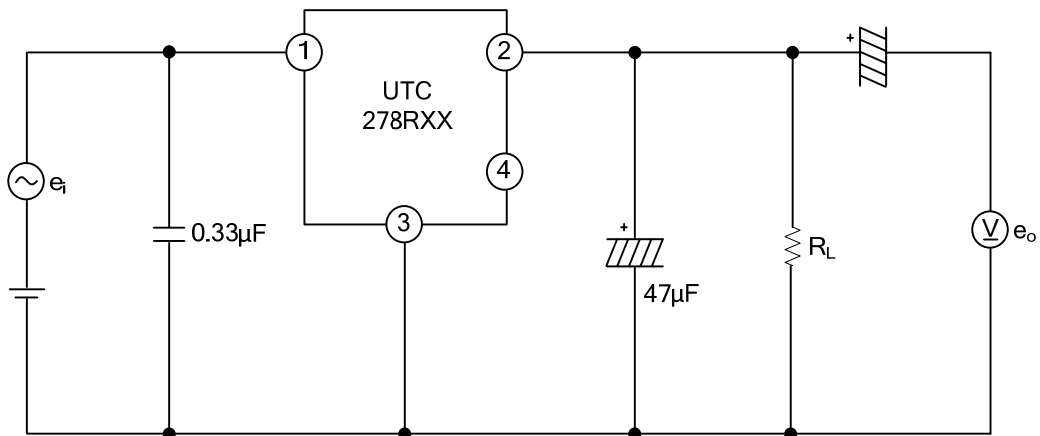
PARAMETER	SYMBOL	TEST CONDITIONS	MIN	TYP	MAX	UNIT
Output Voltage	V_O		3.201	3.3	3.399	V
Load Regulation	Reg Load	$I_O=5mA\sim 2A$		0.1	2.0	%
Line Regulation	Reg Line	$V_{IN}=6\sim 12V$		0.5	2.5	%
Temperature Coefficient of Output Voltage	$T_C V_O$	$T_J=0\sim 125^\circ C$		± 0.02	± 0.05	$\%/^\circ C$
Ripple Rejection	$R \cdot R$		45	55		dB
Drop Out Voltage (Note)	V_D	$I_O=2A$			0.5	V
Output ON State for Control Voltage	$V_{C(ON)}$		2.0			V
Output ON State for Control Current	$I_{C(ON)}$	$V_C=2.7V$			20	μA
Output OFF State for Control Voltage	$V_{C(OFF)}$				0.8	V
Output OFF State for Control Current	$I_{C(OFF)}$	$V_C=0.4V$			-0.4	mA
Quiescent Current	I_Q	$I_O=0$			10	mA

Note: Input voltage shall be the value when output voltage is 95% in comparison with the initial value.

■ TEST CIRCUIT



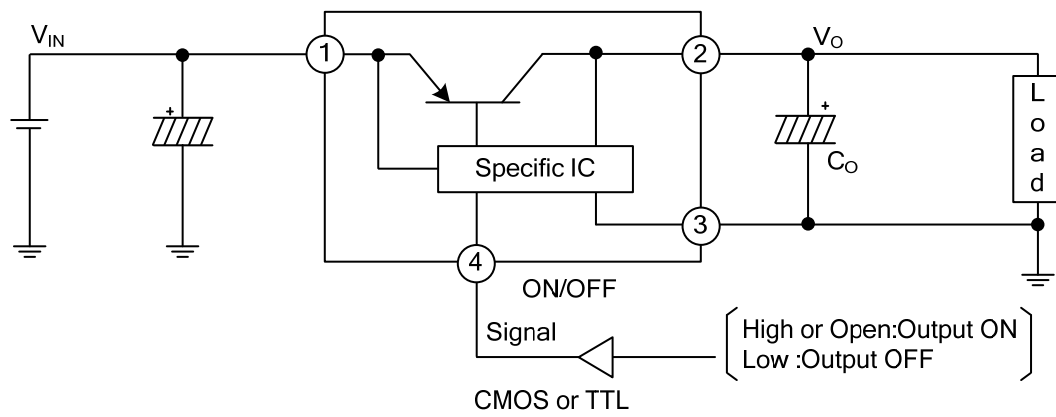
Standard Test Circuit



f=120Hz (sine wave)
 $e_i=0.5V_{rms}$
 $RR=20\log(e_i/e_o)$

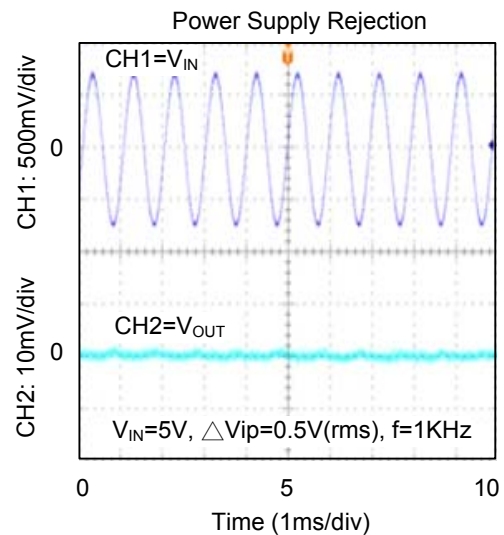
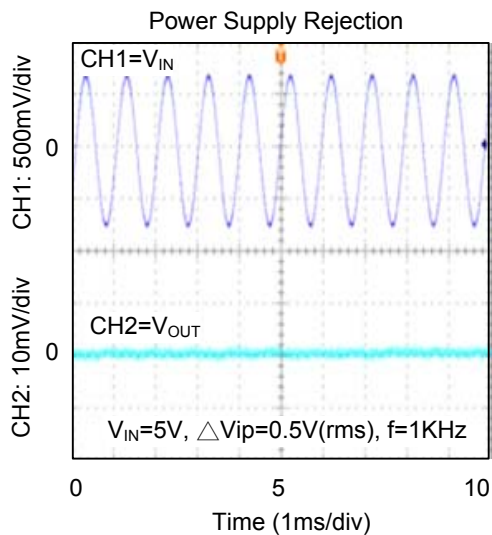
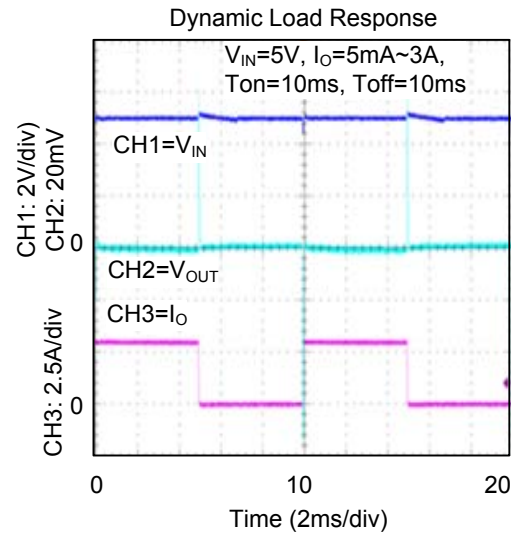
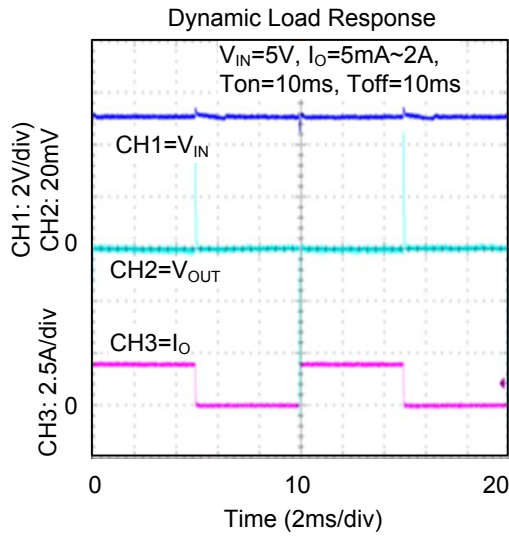
Ripple Rejection Test Circuit

■ TYPICAL APPLICATION CIRCUIT



Application Circuit Standard

■ TYPICAL CHARACTERISTICS



UTC assumes no responsibility for equipment failures that result from using products at values that exceed, even momentarily, rated values (such as maximum ratings, operating condition ranges, or other parameters) listed in products specifications of any and all UTC products described or contained herein. UTC products are not designed for use in life support appliances, devices or systems where malfunction of these products can be reasonably expected to result in personal injury. Reproduction in whole or in part is prohibited without the prior written consent of the copyright owner. The information presented in this document does not form part of any quotation or contract, is believed to be accurate and reliable and may be changed without notice.