

## DETAILS

<b>Product Number</b>	FCN15296_ANGELETTE-WW-RZ-CXA15-18
<b>Family</b>	Angelette
<b>Type</b>	RefPack
<b>Color</b>	metal
<b>Diameter</b>	110 mm
<b>Height</b>	57,3 mm
<b>Style</b>	round
<b>Optic Material</b>	PC
<b>Holder Material</b>	
<b>Fastening</b>	
<b>Status</b>	production ready
<b>ROHS Compliant</b>	Yes
<b>Date Updated</b>	20/12/2016

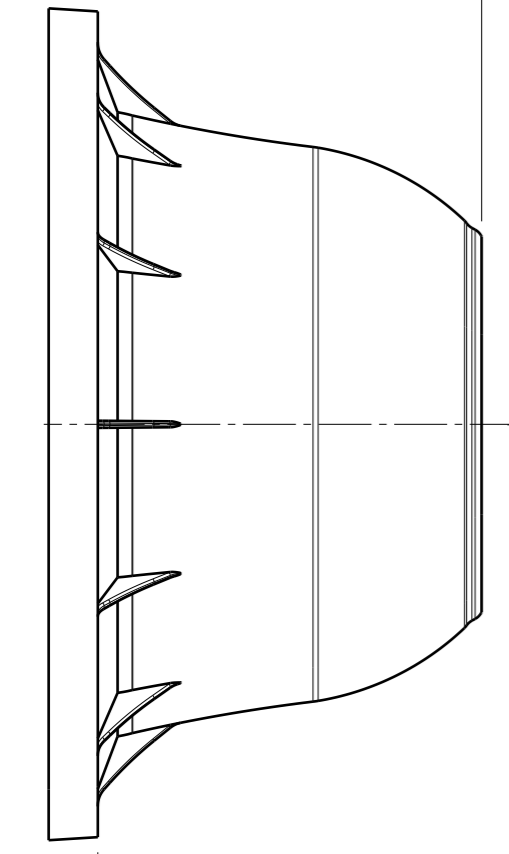


## OPTICAL PROPERTIES

LED	Viewing Angle	Light Beam	Efficiency	cd/lm	Connector
CXA/B 15xx	66 deg	Very Wide	86 %	0.900	-
CXA/B 1816 & CXA/B 1820 & CXA 1850	68 deg	Very Wide	86 %	0.800	-

**NOTE:**  
 Customer may add additional light modifying parts to Angelette family(excluding the plain versions):  
 Minumum height of additional part is 1.5mm and maximum is 2.2mm. Diameter is 105.9mm±0.3

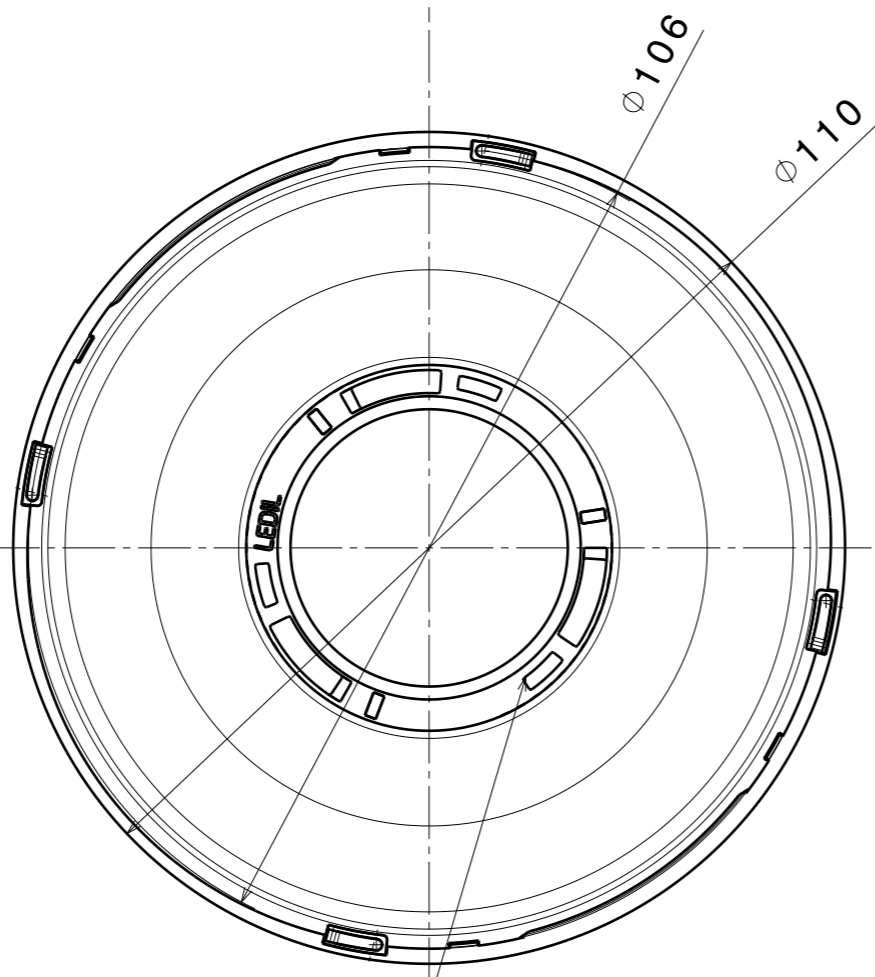
57.26 + Basepart



6.5

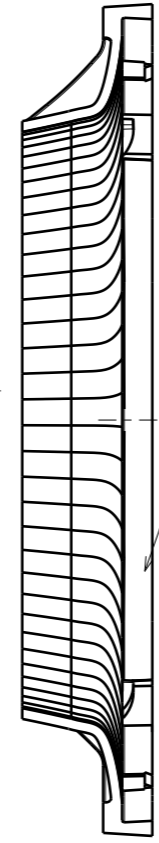
Front view

Additional part:  
 F13671\_ ANGE-RZ-LENS



Top view

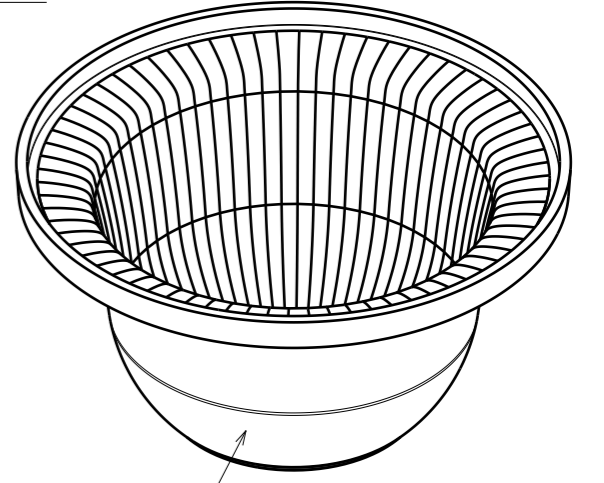
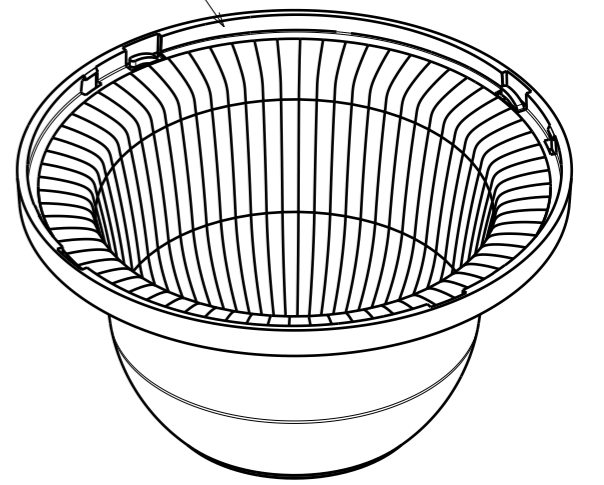
∅106  
 ∅110



Additional part:  
 F15176\_ ANGELETTE-LENS  
 F15412\_ ANGELETTE-DL

Section view

ANGELETTE-WW



ANGELETTE-WW-PLAIN

Tolerances if not otherwise shown  
 According to DIN ISO 2768-1  
 Linear measures:  
 up to 30mm class M, otherwise class C  
 According to DIN ISO 2768-2  
 Form and position: class L

**LEDiL** Ledil Oy  
 Salorankatu 10  
 FIN 24240 SALO  
 Finland

THIRD ANGLE PROJECTION:

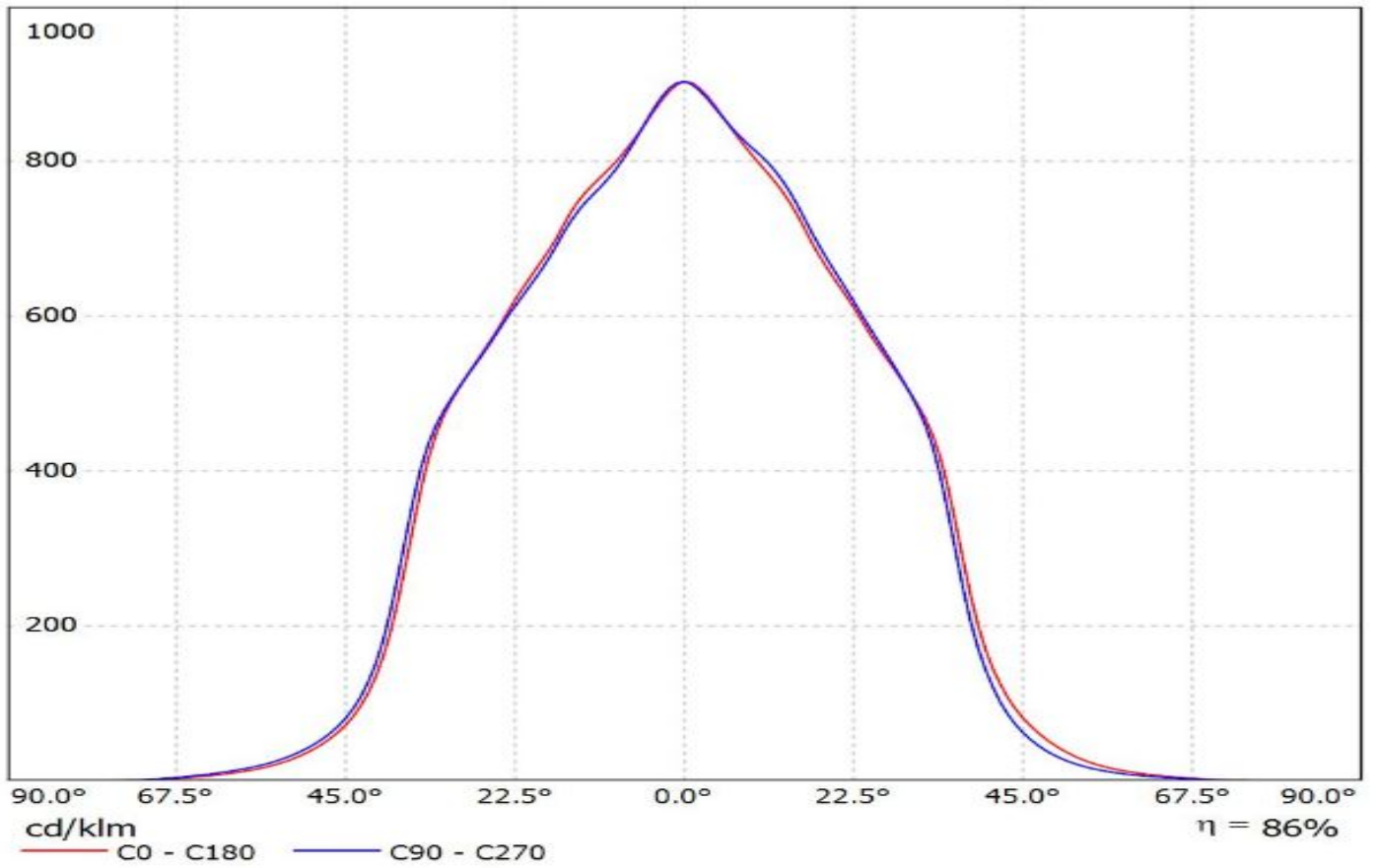
DRAWING TITLE  
 Datasheet\_ ANGELETTE-WW

This drawing is the property  
 of LEDiL Oy. It may not be  
 reproduced, copied or  
 communicated without a written  
 agreement with LEDiL Oy.

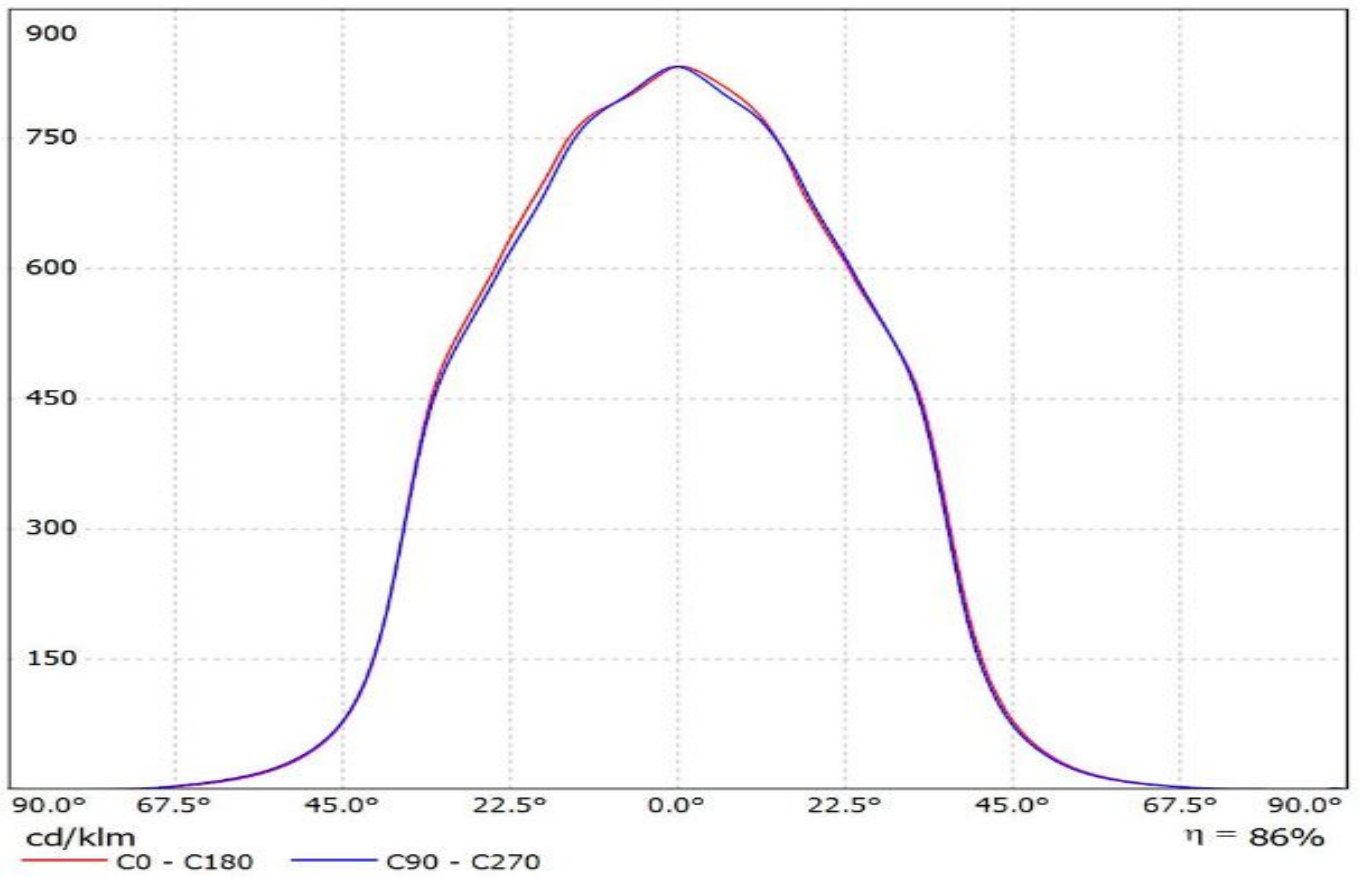
SIZE	PART NUMBER
A3	ANGELETTE-WW ANGELETTE-WW-PLAIN

SCALE	1:1	WEIGHT		SHEET	1/1
-------	-----	--------	--	-------	-----

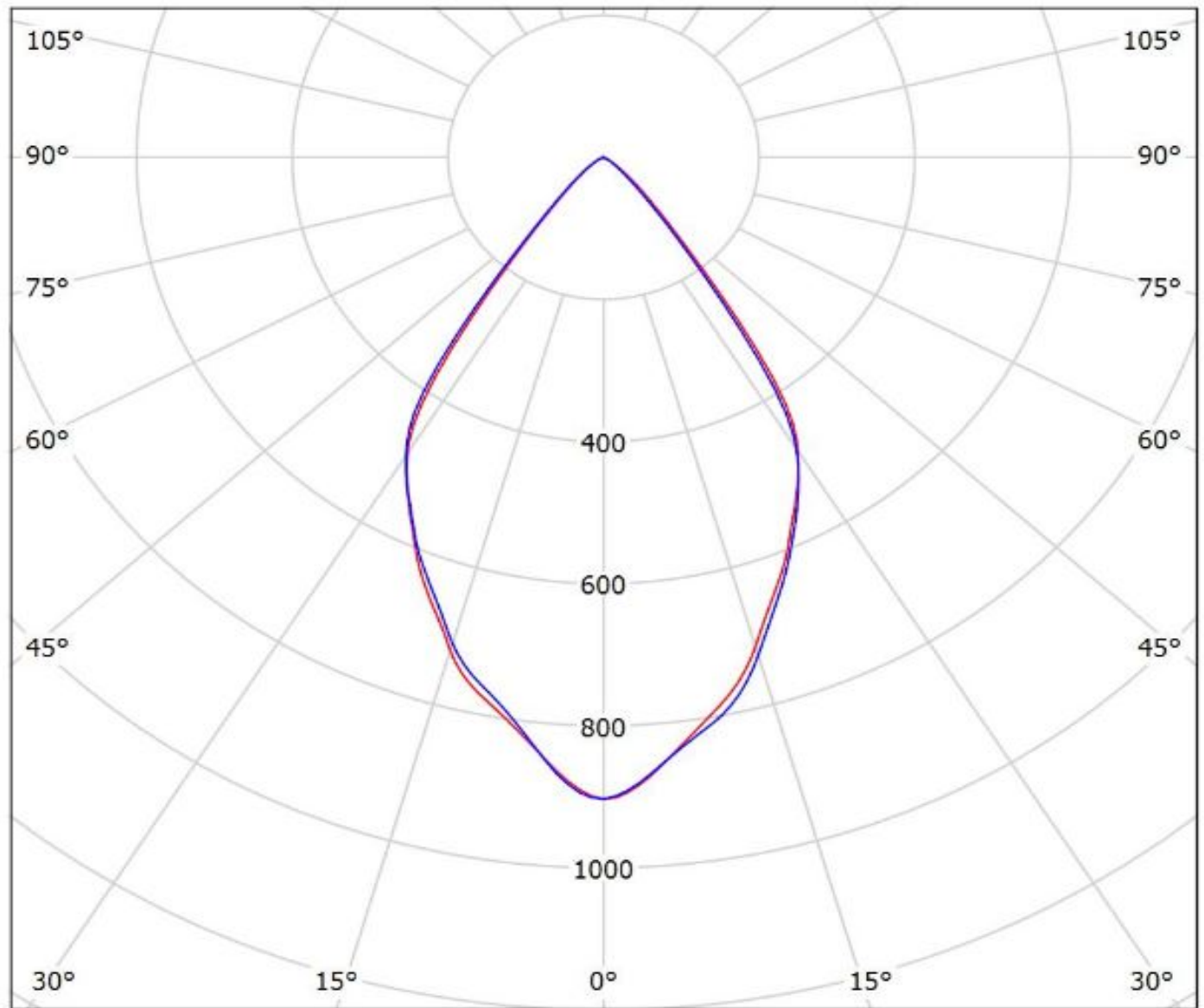
Luminaire: Ledil FCN15296\_ANGELETTE-WW-RZ-CXA15-18\_(CXB1507)  
Lamps: 1 x CREE\_CXB1507\_+C14123\_CLAMP-CXA15-18\_(CXB1507-406-H4-N0H-00001)  
\_1207.05lm@250mA\_CCT=4000K\_P=8.8512W\_I=0.25A



Luminaire: Ledil FCN15296\_ANGELETTE-WW-RZ-CXA15-18\_(CXB1816)  
Lamps: 1 x Cree\_CXB1816\_+C14123\_CLAMP-CXA15-18\_(CXB1816-50G-Q2-N0H-00001)  
\_1364.95lm@250mA\_CCT=5000K\_P=8.4823W\_I=0.25A



Luminaire: Ledil FCN15296\_ ANGELETTE-WW-RZ-CXA15-18\_(CXB1507)  
Lamps: 1 x CREE\_CXB1507\_+C14123\_CLAMP-CXA15-18\_(CXB1507-406-H4-N0H-00001)  
\_1207.05lm@250mA\_CCT=4000K\_P=8.8512W\_I=0.25A

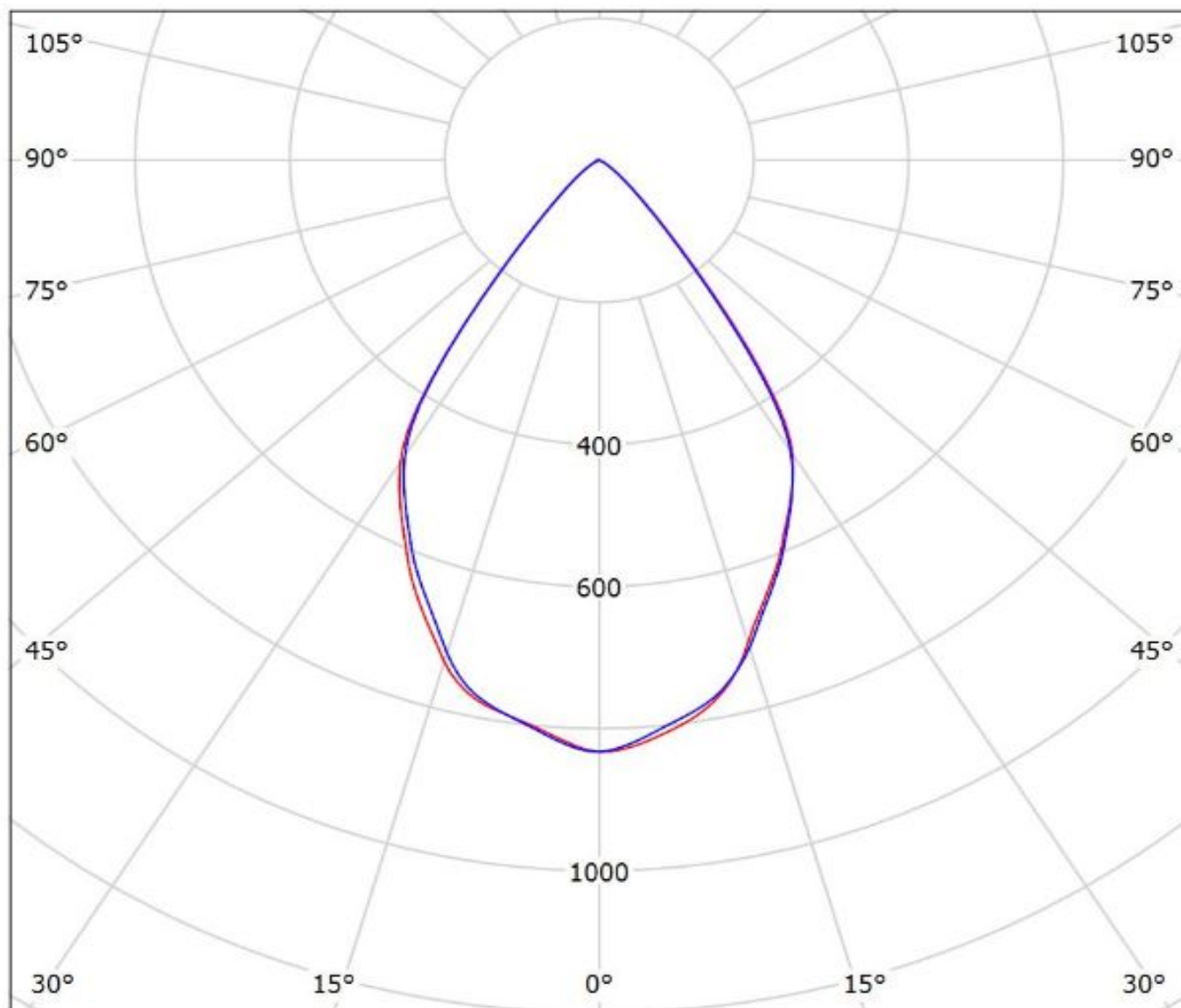


cd/klm

— C0 - C180    — C90 - C270

$\eta = 86\%$

Luminaire: Ledil FCN15296\_ANGELETTE-WW-RZ-CXA15-18\_(CXB1816)  
Lamps: 1 x Cree\_CXB1816\_+C14123\_CLAMP-CXA15-18\_(CXB1816-50G-Q2-N0H-00001)  
\_1364.95lm@250mA\_CCT=5000K\_P=8.4823W\_I=0.25A



cd/klm  
— C0 - C180 — C90 - C270

$\eta = 86\%$

**NOTE: The typical divergence will be changed by different color, chip size and chip position tolerance. The typical total divergence is the full angle measured where the luminous intensity is half of the peak value.**

### **GENERAL INFORMATION**

- Product series especially designed & optimized for series of LEDs.
- Special care taken to make light distribution as uniform as possible.

Note! Due to use of high power COB's with this product, special attention to proper thermal design is highly recommended. LEDiL has no liability for direct, indirect or consecutive damages arising from the LEDiL products being used outside of the recommended temperature range.