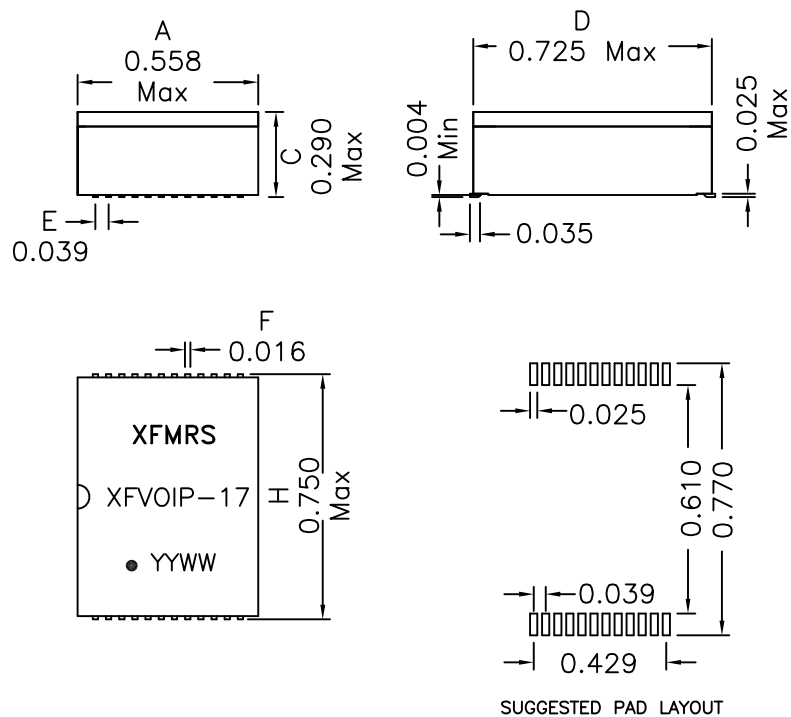
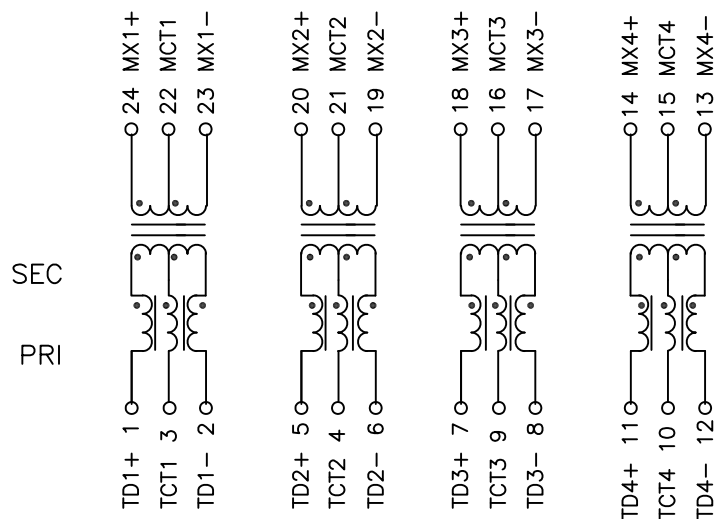


1. Mechanical Dimensions:



2. Schematic:



DOC REV: B/1

3. Electrical Specifications: @25°C

ISOLATION: 1500Vrms
 TURNS RATIO: (PRI/SEC) 1CT:1CT ±2%
 SEC OCL: 350uH Min @100KHz 100mV, 15mAdc
 Q: 5 Min @10KHz 50mV
 Rise Time: 1.75ns Max.
 INSERTION LOSS: -1.0dB MAX @1MHz-80MHz
 -1.1dB MAX @80-100MHz
 -1.5dB MAX @100-125MHz
 RETURN LOSS: 18dB Min @1-10MHz
 15dB Min @30MHz
 12dB Min @80MHz
 10dB Min @100MHz
 Common to Common Rejection:
 -60dB Min @1MHz
 -40dB Min @30MHz
 -35dB Min @80MHz
 -30dB Min @100MHz
 CMRR: -30dB Min @1-60MHz
 Crosstalk: -40dB Min @1-30MHz
 -30dB Min @100MHz
 Rated Current: 750mA Max @57Vdc Thru Sec CTs

Notes:

1. Solderability: Leads shall meet MIL-STD-202G, Method 208H for solderability.
2. Flammability: UL94V-0
3. ASTM oxygen index: > 28%
4. Insulation System: Class F 155°C. UL file E151556
5. Operating Temperature Range: All listed parameters are to be within tolerance from -40°C to +85°C
6. Storage Temperature Range: -55°C to +125°C
7. Aqueous wash compatible
8. SMD Lead Coplanarity: ±0.004"(0.102mm)
9. Electrical and mechanical specifications 100% tested
10. RoHS Compliant Component
11. Recommended IR Reflow peak temp of 250C Max.

XFMR5 Inc www.XFMR5.com		Title: 100BASE-T POE+ Modules	
UNLESS OTHERWISE SPECIFIED		P/N: XFVOIP-17	REV. B
TOLERANCES: .xxx ±0.010		DWN.	Yuan Apr-18-14
Dimensions in INCH		CHK.	YK Liao Apr-18-14
SHEET 1 OF 1		APP.	DDC Apr-18-14

PROPRIETARY

Document is the property of XFMR5 Group & is not allowed to be duplicated without authorization.