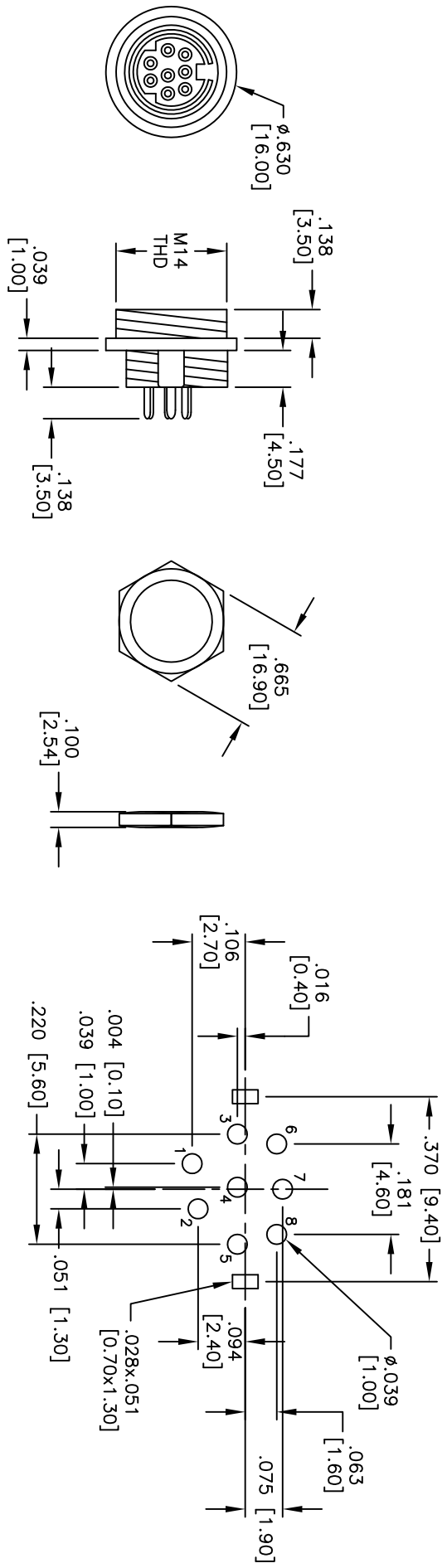


Rev	AWO #	Description	Date	Appr
-		RELEASED	12/30/04	

APPROVED: _____
 DATE: _____ TITLE: _____



MATING FACE CONFIGURATIONS					
MDV-003-B	MDV-004-B	MDV-005-B	MDV-006-B	MDV-007-B	MDV-008-B

SPECIFICATIONS:
 Material: Insulator: PBT, glass filled, rated UL 94V-0
 Insulator color: Black
 Contacts: Phosphor Bronze
 Shield: Copper Alloy, Tin plated
 Plating: Gold over Nickel underplate on contact area, Tin over Copper underplate on tails
Electrical:
 Operating voltage: 100 VAC/12 VDC max.
 Current rating: 1 Amp max./2 Amps max.
 Contact resistance: 20 mohms max. initial
 Insulation resistance: 500 Mohms min.
 Dielectric withstanding voltage: 500 VAC for 1 minute
 Temperature Rating: Operating temperature: -25°C to +70°C
Environmental:
 Lead free, RoHS compliant.



ADAM TECH

909 Rahway Avenue, Union, NJ 07083
 Phone: 908-687-5000 Fax: 908-687-5710

UNLESS OTHERWISE SPECIFIED ALL DIMENSIONS ARE IN INCHES [MM]		TOLERANCES EXCEPT AS NOTED	
INCHES	HOLDS	INCHES	HOLDS
.X ± .10	ØXX ± .10	.XX ± .020	ØXXX ± .015
.XXX ± .015	ØXXXX ± .010		
APPROVALS		DATE	
DRAWN	SS	12/30/04	
CHECKED			
APPROVED			
TITLE		PART NO.	
MINI DIN JACK, VERTICAL, THREADED OUTER SHELL W/MOUNTING NUT		MDV-00X-B	
SIZE	REV.	SCALE	SHEET 1 OF 1
X		NTS	