

KR Electronics

General Description

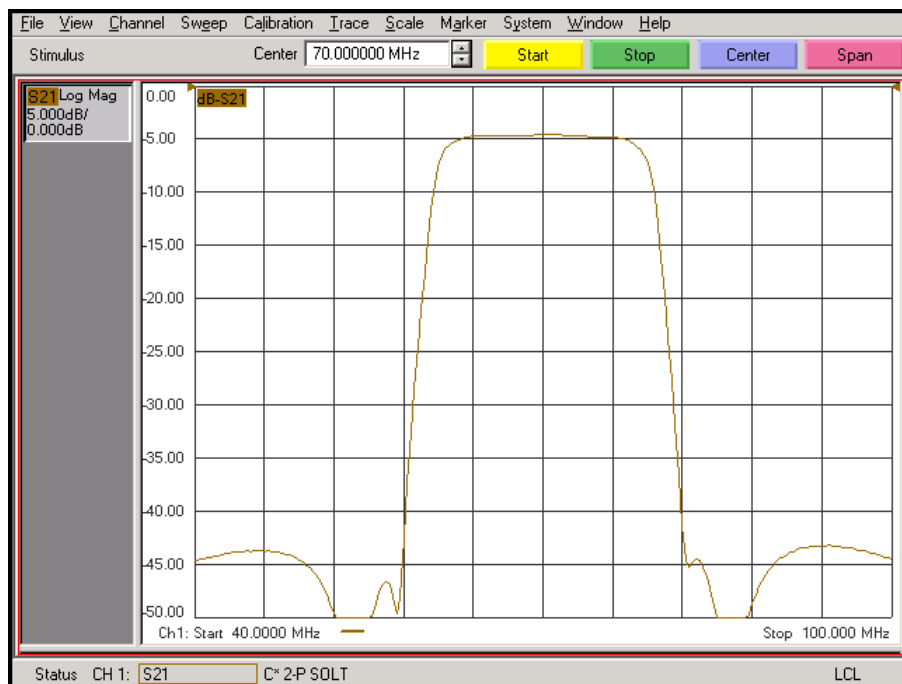
KR Electronics part number 2925+ is a 70 MHz elliptic type bandpass filter. The filter is group delay and amplitude equalized with a minimum 1 dB bandwidth of 15 MHz. Other center frequencies and bandwidths available. Please consult the factory.

Features

- 70 MHz Center Frequency
- 15 MHz min 1 dB Bandwidth
- Group Delay Equalized for Linear Phase
- 50 Ω Source and Load
- Surface Mount
- Also available with SMA connectors

Typical Performance

Overall Response (5 dB/div)



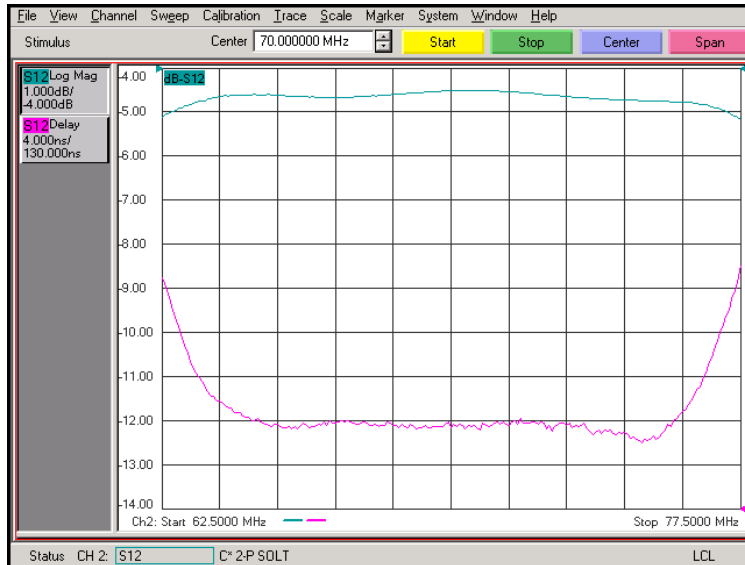
KR Electronics, Inc.
91 Avenel Street
Avenel, NJ 07001

Web www.krfilters.com
Email sales@krfilters.com
Phone (732) 636-1900
Fax (732) 636-1982

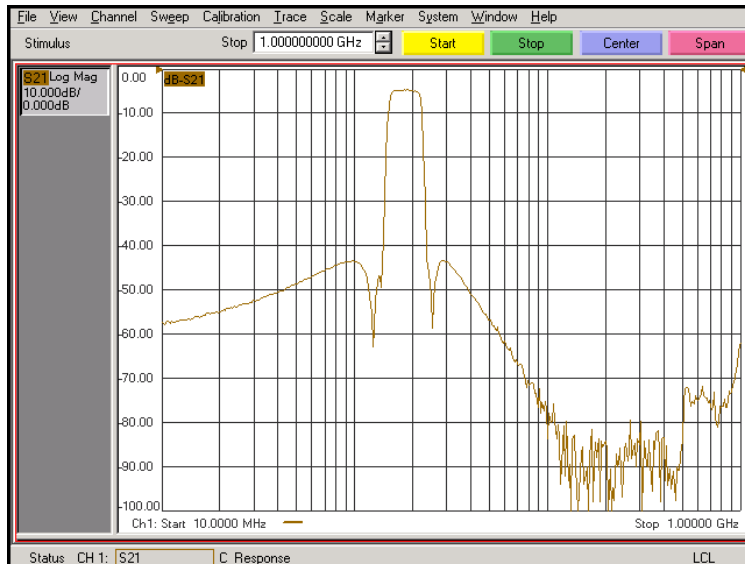
KR Electronics

Typical Performance

Passband Amplitude & Group Delay (1 dB/div & 4 nsec/div)



Overall Stopband to 1 GHz (10 dB/div)



KR Electronics, Inc.
91 Avenel Street
Avenel, NJ 07001

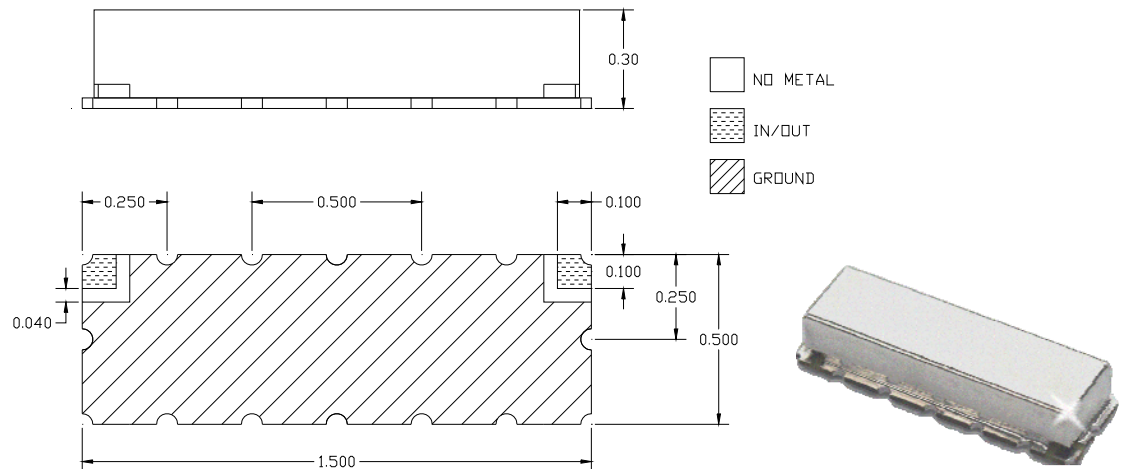
Web www.krfilters.com
Email sales@krfilters.com
Phone (732) 636-1900
Fax (732) 636-1982

KR Electronics 2925+

Specifications

Parameter	Specification
Filter type	Bandpass
Center Frequency	70 MHz
Insertion Loss	< 5 dB
1 dB Bandwidth	15 MHz min
20 dB Bandwidth	23 MHz max
35 dB Bandwidth	25 MHz max
Group Delay Variation (64 MHz to 76 MHz)	8 nsec max (<4 nsec typical)
Source and Load	50 Ω

Physical Dimensions



Notes:

1. Surface mount package, metal cover
2. Dimensions in inches
3. Max reflow temperature 230° C for 10 sec
4. If boards are cleaned after installation units must be completely dried
5. Also available in metal case with SMA connectors

KR Electronics, Inc.
 91 Avenel Street
 Avenel, NJ 07001

Web www.krfilters.com
 Email sales@krfilters.com
 Phone (732) 636-1900
 Fax (732) 636-1982