

**PLEASE CHECK WWW.MOLEX.COM FOR LATEST PART INFORMATION**

**Part Number:** [49034-0310](#)  
**Status:** **Active**  
**Description:** 3.80mm Pitch Wire-to-Wire Female Housing, 3 Circuits, for 090II Terminal, with TPA

**Documents:**

[3D Model](#) [Packaging Specification PK-49034-001 \(PDF\)](#)  
[Drawing \(PDF\)](#) [RoHS Certificate of Compliance \(PDF\)](#)  
[Product Specification PS-49033-001 \(PDF\)](#)

**General**

Product Family	Crimp Housings
Series	49034
Application	Power, Wire-to-Wire
Product Name	N/A
UPC	822348163076

**Physical**

Circuits (maximum)	3
Gender	Female
Glow-Wire Compliant	No
Lock to Mating Part	Yes
Net Weight	2.800/g
Number of Rows	1
Packaging Type	Bag
Panel Mount	No
Pitch - Mating Interface	3.81mm
Polarized to Mating Part	Yes
Stackable	No
Temperature Range - Operating	-40°C to +80°C

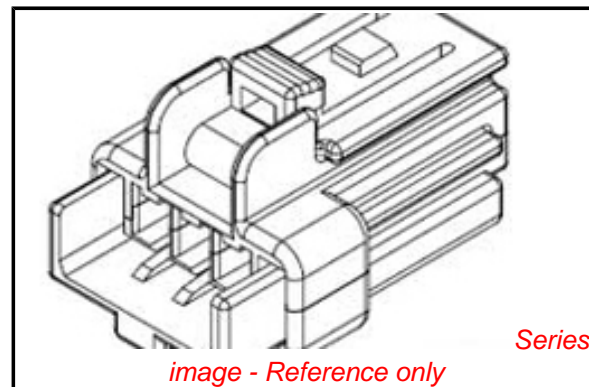
**Electrical**

Current - Maximum per Contact	10A
-------------------------------	-----

**Material Info**

**Reference - Drawing Numbers**

Packaging Specification	PK-49034-001
Product Specification	PS-49033-001
Sales Drawing	SD-49034-001



*image - Reference only*

**EU RoHS**

**ELV and RoHS  
Compliant**  
**REACH SVHC  
Contains SVHC: No**  
**Low-Halogen Status  
Low-Halogen**

**China RoHS**



**Need more information on product  
environmental compliance?**

Email [productcompliance@molex.com](mailto:productcompliance@molex.com)  
For a multiple part number RoHS Certificate of Compliance, [click here](#)

Please visit the [Contact Us](#) section for any non-product compliance questions.

**Search Parts in this Series**

49034Series

**Mates With**

49033-0310

**Use With**

35421

**PLEASE CHECK WWW.MOLEX.COM FOR LATEST PART INFORMATION**