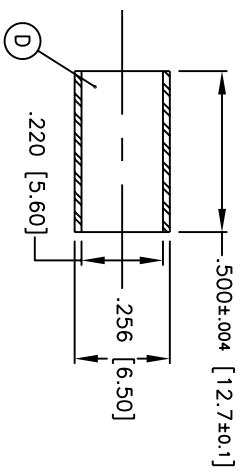
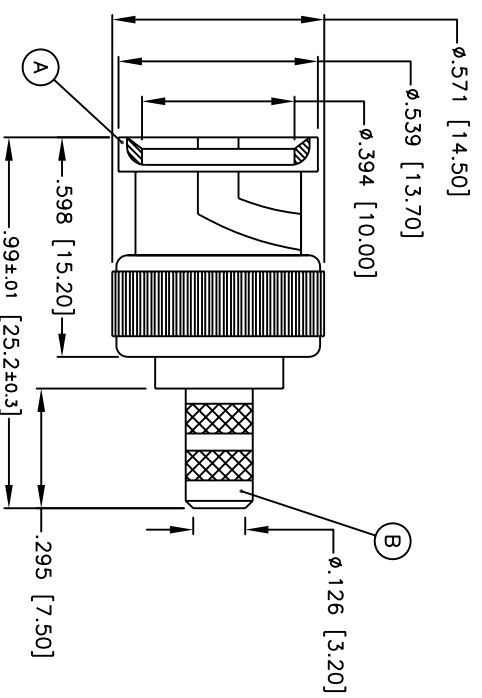
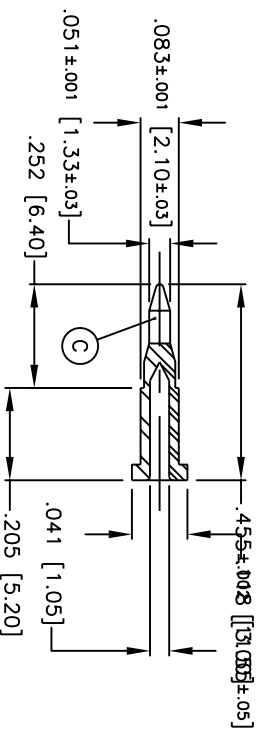


Rev	Description	Date	Appr
0	Released	01/09/98	



A	SHELL	BRASS	1
B	BODY	BRASS	1
C	PIN	BRASS	1
D	RING	BRASS	1

XX	IMPEDANCE
-75	75 ohm
-50	50 ohm

**SPECIFICATIONS:**

**MATERIAL:**  
Housing: Brass  
Insulator: Teflon  
Contacts: Brass

**ELECTRICAL:**

Frequency range: 0-4 GHz  
Voltage rating: 500 Volts AC  
VSWR: 1.2 max 0-2 GHz  
Impedance: see impedance table  
Contact resistance: Center: 3 Mohm @ 1 A DC  
Insulation resistance: 5000 M min @ 1500 VDC between adjacent contacts (75°F and 50% R.H.)

# ADAM TECH

Dimension in IN [MM]	Tolerance (Unless Otherwise Specified)
XX ± .01	.005
XXX ± .005	

<b>DESCRIPTION:</b> BNC-Straight Crimp Plug For RG-735A Cable			
<b>PART NUMBER:</b> RF1-03-T-04-XX			
<b>DRAWN:</b>	SS	<b>SHEET</b>	1
<b>APPR:</b>		<b>LOG</b>	
<b>SCALE:</b>	NTS	<b>REF.</b>	
<b>DATE:</b>	4/12/04	<b>REV.</b>	