

AZ763

12 A SPDT MINIATURE POWER RELAY

FEATURES

- Dielectric strength 5000 Vrms
- Low height: 15.7 mm
- Epoxy sealed version available
- 12 Amp switching
- AC and DC coils
- Isolation spacing greater than 10 mm
- Proof tracking index (PTI/CTI) 250
- Surpasses requirements of VDE 0631/0700
- UL, CUR file E43203; VDE 112904



CONTACTS

Arrangement	SPDT (1 Form C) SPST (N.O.) (1 Form A)
Ratings	Resistive load: Max. switched power: 360 W or 3000 VA Max. switched current: 12 A Max. switched voltage: 300* VDC or 400 VAC *Note: If switching voltage is greater than 30VDC, special precautions must be taken. Please contact the factory.
Rated Load UL, CUR VDE	12 A at 250 VAC resistive 12 A at 250 VAC
Material	Silver nickel or silver nickel gold plated
Resistance	< 100 milliohms initially

COIL

Power At Pickup Voltage (typical)	200 mW (DC coil) .422 VA (AC coil)
Max. Continuous Dissipation	1.7 W at 20°C (68°F) ambient
Temperature Rise	26°C (47°F) at nominal coil voltage
Max. Temperature	115°C (239°F)

NOTES

1. All values at 20°C (68°F).
2. Relay may pull in with less than "Must Operate" value.
3. Specifications subject to change without notice.

GENERAL DATA

Life Expectancy Mechanical Electrical	Minimum operations 3 x 10 ⁷ 1 x 10 ⁵ at 12 A 240 VAC res.
Operate Time (typical)	7 ms at nominal coil voltage
Release Time (typical)	3 ms at nominal coil voltage (with no coil suppression)
Dielectric Strength (at sea level for 1 min.)	5000 Vrms coil to contact 1000 Vrms between open contacts
Insulation Resistance	1000 megohms min. at 20°C 500 VDC 50% RH
Dropout	Greater than 10% of nominal coil voltage - DC Greater than 15% of nominal coil voltage - AC
Ambient Temperature Operating Storage	At nominal coil voltage -40°C (-40°F) to 90°C (194°F) - DC coils -40°C (-40°F) to 75°C (167°F) - AC coils -40°C (-40°F) to 115°C (239°F)
Vibration	0.062" DA at 10-55 Hz
Shock	30 g
Enclosure	P.B.T. polyester, UL-94 : V0
Terminals	Tinned copper alloy, P.C.
Max. Solder Temp.	270°C (518°F)
Max. Solder Time	5 seconds
Max. Solvent Temp.	80°C (176°F)
Max. Immersion Time	30 Seconds
Weight	14 grams



AMERICAN ZETTLER, INC.

www.azettler.com

75 COLUMBIA • ALISO VIEJO, CA 92656 • PHONE: (949) 831-5000 • FAX: (949) 831-8642 • E-MAIL: SALES@AZETTLER.COM

6/11/04W

AZ763

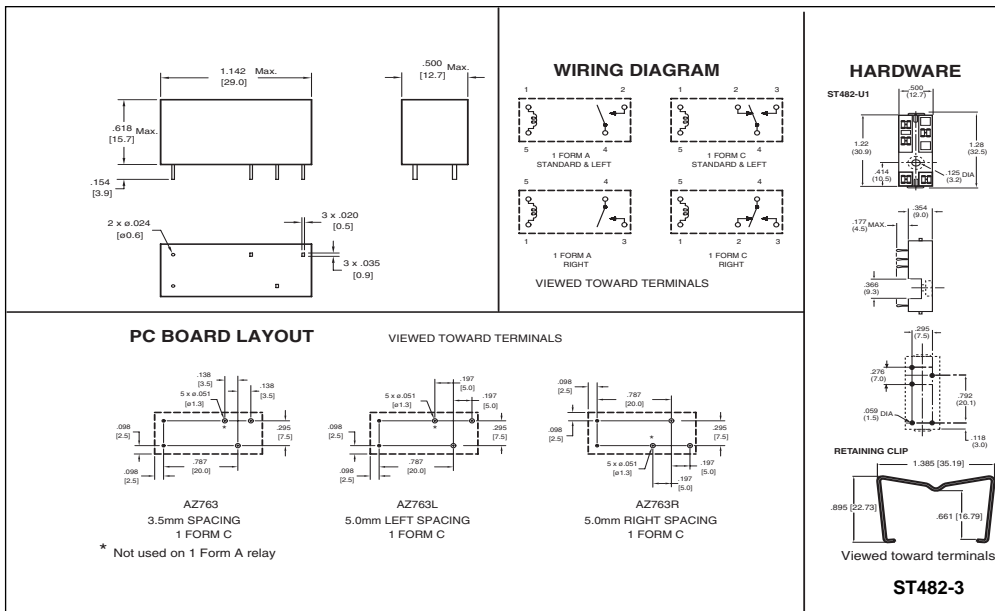
RELAY ORDERING DATA

COIL SPECIFICATIONS - DC Coil				ORDER NUMBER*			
Nominal Coil VDC	Must Operate VDC	Max. Continuous VDC	Coil Resistance $\pm 10\%$	Unsealed		Sealed	
				3.5 mm STD	5 mm STD Left	3.5mm	5 mm STD Left
3	2.1	7.6	22	AZ763-1C-3D	AZ763L-1C-3D	AZ763-1C-3DE	AZ763L-1C-3DE
5	3.5	12.7	60	AZ763-1C-5D	AZ763L-1C-5D	AZ763-1C-5DE	AZ763L-1C-5DE
6	4.2	15.3	90	AZ763-1C-6D	AZ763L-1C-6D	AZ763-1C-6DE	AZ763L-1C-6DE
9	6.3	22.9	200	AZ763-1C-9D	AZ763L-1C-9D	AZ763-1C-9DE	AZ763L-1C-9DE
12	8.4	30.6	360	AZ763-1C-12D	AZ763L-1C-12D	AZ763-1C-12DE	AZ763L-1C-12DE
18	12.6	45.9	710	AZ763-1C-18D	AZ763L-1C-18D	AZ763-1C-18DE	AZ763L-1C-18DE
24	16.8	61.2	1,440	AZ763-1C-24D	AZ763L-1C-24D	AZ763-1C-24DE	AZ763L-1C-24DE
36	25.2	92	3,140	AZ763-1C-36D	AZ763L-1C-36D	AZ763-1C-36DE	AZ763L-1C-36DE
48	33.6	122.0	5,700	AZ763-1C-48D	AZ763L-1C-48D	AZ763-1C-48DE	AZ763L-1C-48DE
60	42.0	153.0	7,500	AZ763-1C-60D	AZ763L-1C-60D	AZ763-1C-60DE	AZ763L-1C-60DE
110	77.0	280.0	25,200	AZ763-1C-110D	AZ763L-1C-110D	AZ763-1C-110DE	AZ763L-1C-110DE

COIL SPECIFICATIONS - AC Coil					ORDER NUMBER*			
Nominal Coil VAC	Must Operate VAC	Max. Continuous VAC	Nominal Current mA $\pm 10\%$	Coil Resistance $\pm 10\%$	Unsealed		Sealed	
					3.5 mm STD	5 mm STD Left	3.5mm	5 mm STD Left
12	9.0	18.0	63.0	100	AZ763-1C-12A	AZ763L-1C-12A	AZ763-1C-12AE	AZ763L-1C-12AE
24	18.0	36.0	31.3	400	AZ763-1C-24A	AZ763L-1C-24A	AZ763-1C-24AE	AZ763L-1C-24AE
48	36.0	72.0	15.6	1550	AZ763-1C-48A	AZ763L-1C-48A	AZ763-1C-48AE	AZ763L-1C-48AE
60	45.0	90.0	12.5	2600	AZ763-1C-60A	AZ763L-1C-60A	AZ763-1C-60AE	AZ763L-1C-60AE
110	82.5	165.0	6.8	8900	AZ763-1C-110A	AZ763L-1C-110A	AZ763-1C-110AE	AZ763L-1C-110AE
115	86.3	172.5	6.5	9600	AZ763-1C-115A	AZ763L-1C-115A	AZ763-1C-115AE	AZ763L-1C-115AE
120	90.0	180.0	6.3	10200	AZ763-1C-120A	AZ763L-1C-120A	AZ763-1C-120AE	AZ763L-1C-120AE
220	165.0	330.0	3.4	35500	AZ763-1C-220A	AZ763L-1C-220A	AZ763-1C-220AE	AZ763L-1C-220AE
230	172.5	345.0	3.3	38500	AZ763-1C-230A	AZ763L-1C-230A	AZ763-1C-230AE	AZ763L-1C-230AE
240	180.0	360.0	3.1	42500	AZ763-1C-240A	AZ763L-1C-240A	AZ763-1C-240AE	AZ763L-1C-240AE

*For 5 mm "Right" spacing substitute "AZ763R" for "AZ763L". For Form A contacts substitute "-1A" for "-1C". For gold plated contacts substitute "-1AG" for "-1A" or "-1CG" for "-1C". **NOTE:** Form A contacts only available for DC coil versions.

MECHANICAL DATA



HARDWARE ORDERING DATA	
DESCRIPTION	
Socket	ST482-U1
DESCRIPTION	
Retainer	ST482-2

Dimensions in inches with metric equivalents in parentheses. Tolerance: $\pm .010$ "



AMERICAN ZETTLER, INC.

www.azettler.com

75 COLUMBIA • ALISO VIEJO, CA 92656 • PHONE: (949) 831-5000 • FAX: (949) 831-8642 • E-MAIL: SALES@AZETTLER.COM