

注記 1. 材質
NOTES MATERIAL

ハウジング : PA. ガラス充填, 黒色, UL94V-0
HOUSING : PA. GLASS FILLED, BLACK, UL94V-0

ターミナル : 銅合金 (t=0.2)
TERMINAL : COPPER ALLOY (t=0.2)

シールド ケース : 銅合金 (t=0.4)
SHIELD CASE : COPPER ALLOY (t=0.4)

カバー テープ : ポリイミド (t=0.08)
COVER TAPE : POLYIMIDE (t=0.08)

2. メッキ仕様
PLATING

ターミナル
TERMINAL
接点部 : 金メッキ 0.75 MICRO METER MIN.
CONTACT AREA : GOLD 0.75MICRO METER MIN.
半田付け部 : 半田メッキ 3.8 MICRO METER MIN.
SOLDER TAIL AREA : TIN-LEAD 3.8MICRO METER MIN.
下地部 : ニッケルメッキ 1.25 MICRO METER MIN.
UNDER PLATING : NICKEL 1.25MICRO METER MIN.

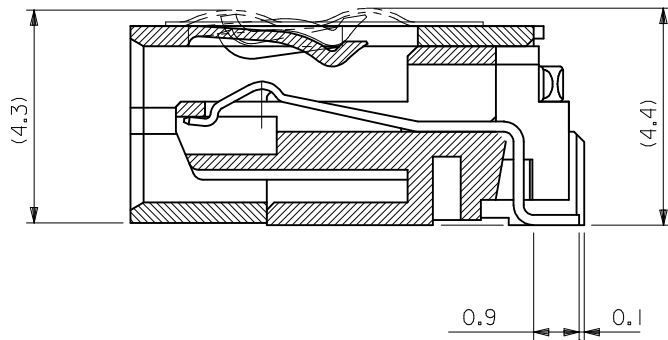
シールド ケース
SHIELD CASE
: 半田メッキ 2.5 MICRO METER MIN.
: TIN-LEAD 2.5MICRO METER MIN.
下地部 : ニッケルメッキ 1 MICRO METER MIN.
UNDER PLATING : NICKEL 1 MICRO METER MIN.

3. テール, ネール平坦度は 0.1mm MAX.
TAIL, NAIL COPLANARITY 0.1mm MAX.

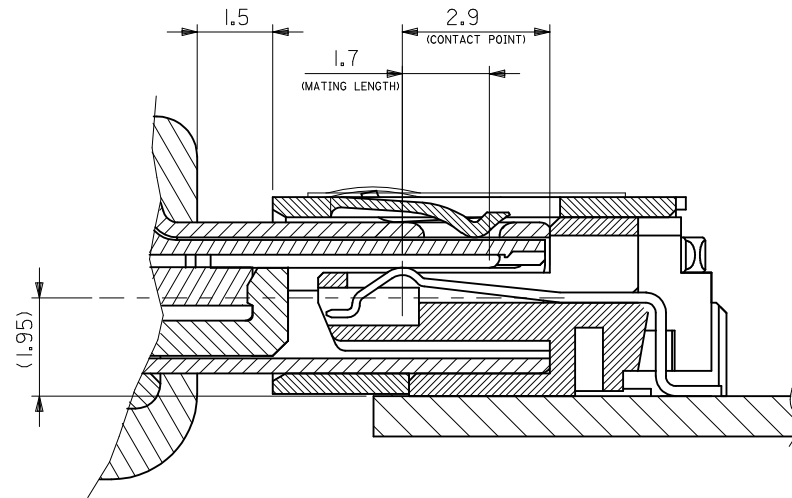
54819-0578	54819-0571
EMBOSSD TAPE	MATERIAL No.
ORDER No.	
MODEL No.54819-**71	

REVISED EC NO.: J2009-1533 DRW: NESATO 2009/06/25 CHKD: MATSUMOTO 2009/06/25 APPR: NUKITA 2009/06/25	GENERAL TOLERANCES (UNLESS SPECIFIED)		DIMENSION STYLE MM ONLY	SCALE 10:1	DESIGN UNITS METRIC	THIRD ANGLE PROJECTION
	10 UNDER	±0.2	DRAWN BY K. TAKAHASHI	DATE 2000/08/02	TITLE USB SERIES MINI-B RECEPTACLE ASS'Y FOR SMT	
	10 OVER 30 UNDER	±0.25	CHECKED BY M. SASAO	DATE 2000/08/02	MOLEX INCORPORATED	
	30 OVER	±0.3	APPROVED BY H. IKESUGI	DATE 2000/08/02	DOCUMENT NO. SD-54819-009	SHEET NO. 1 OF 2
	ANGULAR ±3 °	DRAFT WHERE APPLICABLE MUST REMAIN WITHIN DIMENSIONS	SIZE A3	THIS DRAWING CONTAINS INFORMATION THAT IS PROPRIETARY TO MOLEX INCORPORATED AND SHOULD NOT BE USED WITHOUT WRITTEN PERMISSION		

10 9 8 7 6 5 4 3 2 1



SECTION



MATING

MODEL No.54819-***71

REVISED EC NO: J2009-1533 DRW:ESATO 2009/06/25 CHK:D:HMATSUMOTO 2009/06/25 APPR:NUKITA 2009/06/25	GENERAL TOLERANCES (UNLESS SPECIFIED)		DIMENSION STYLE MM ONLY	SCALE 10:1	DESIGN UNITS METRIC	THIRD ANGLE PROJECTION	
	10 UNDER	±0.2	DRAWN BY K. TAKAHASHI	DATE 2000/08/02	TITLE USB SERIES MINI-B RECEPTACLE ASS'Y FOR SMT		
	10 OVER 30 UNDER	±0.25	CHECKED BY M. SASAO	DATE 2000/08/02	MATERIAL NO. SEE SHEET 1		
	30 OVER	±0.3	APPROVED BY H. IKESUGI	DATE 2000/08/02	DOCUMENT NO. SD-54819-009		
	ANGULAR ±3 °	DRAFT WHERE APPLICABLE MUST REMAIN WITHIN DIMENSIONS	SIZE A3		SHEET NO. 2 OF 2		

