

12-POINT CENTER PIN CRIMP TOOL

ITT Industries DATASHEET

THIS HAND TOOL MUST NOT BE USED IN ANY POWERED
"PRESS AS DEFINED BY OSHA CFR 1910.211 (46).

SEE REVERSE SIDE FOR IMPORTANT INFORMATION
CONCERNING REPAIR AND CALIBRATION INFORMATION.

GENERAL INFORMATION

- Part number of the tool refers to both the positioner and the tool frame as a combined unit.
- The tool has a double action ratchet. Note that the tool cannot be opened without completing the crimp cycle.

SPECIFICATIONS

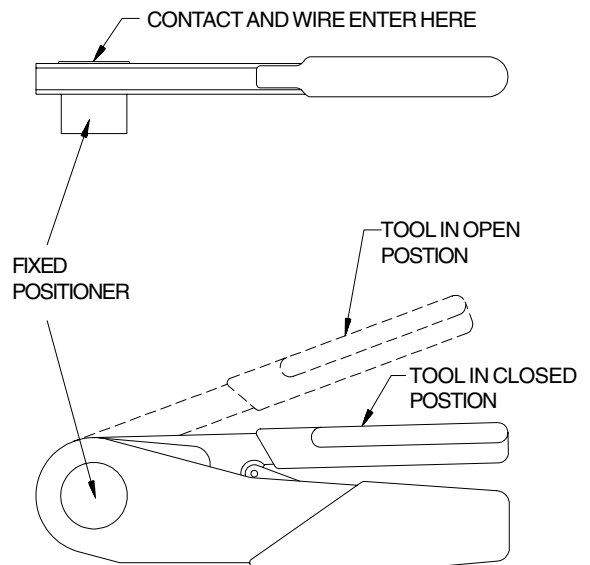
| |
|--|
| Tool P/N 050-000-0030070 |
| Gage Go .025 No-Go .027 |
| COAXIAL CONNECTOR INNER CONTACT CRIMP |
| WIRE TYPE: SOLID COAXIAL CONDUCTOR |

DATAPLATE

CRIMPING INSTRUCTIONS

1. With the tool in the open position, insert the contact and the prepared wire through the indenter opening and into the positioner.
2. Squeeze the handles together until the ratchet releases. The handles will return to the open position. Remove the crimped contact and wire.

TOOL NO. 050-000-0030070



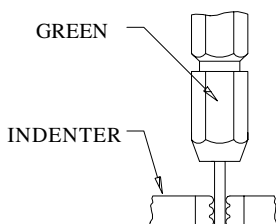
GAGING INSTRUCTIONS

"GO GAGING"

Operate the tool to the fully closed position. Maintain firm hand pressure on the tool handles. Insert the "GO" gage end as shown. The gage must pass freely between the indenter tips.

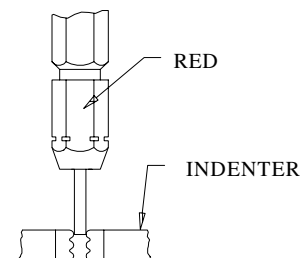
"NO-GO GAGING"

Operate the tool to the fully closed position. Maintain firm hand pressure on the tool handles. Try to insert the "NO-GO" gage end as shown. The "NO-GO" gage may partially enter the indenter opening, but must not pass completely through the opening.



CAUTION!

DO NOT CRIMP GAGE!



CARE OF TOOL

There is virtually no maintenance required. However, it is a good practice to keep indenter tips free of residual color band deposits and other debris. A small wire brush may be used for this purpose.

We strongly recommend that you:

1. DO NOT immerse tools in cleaning solution.
2. DO NOT spray oil into tool to lubricate.
3. DO NOT attempt to disassemble tool or make repairs.

This is a precision hand crimp tool and should be handled as such.

The 12-point Center Pin Crimp Tool comes precalibrated from Daniels Manufacturing Corporation. The tool design was based on specification M22520/2-01 for military hand tools. The hand tool is extremely rugged and the indenters are made of hardened steel. The hand force required to cycle the tool is factory preset.

It is recommended that the indenters be periodically inspected and checked with a GO/NO-GO gage (P/N 050-000-0030073). The inspection frequency should be based upon the amount of use, working conditions, operator training, skill and established company standards. A recommended practice is to check the indenter gaging prior to each days usage.

Should you require the Crimp Tool to be inspected annually, Daniels Manufacturing Corp. (DMC) has offered to inspect and check the calibration of their hand tool for \$50.00* per tool. The hand tool would be returned with a calibration label certifying the day it was calibrated and inspected. The service center address is:

DANIELS MANUFACTURING CORP.
526 THORPE ROAD
ORLANDO, FL 32824
Phone: (407) 855-6161
Fax: (407) 855-6884
Web site: www.dmctools.com
e-mail: dmc@dmctools.com

* Pricing subject to change.