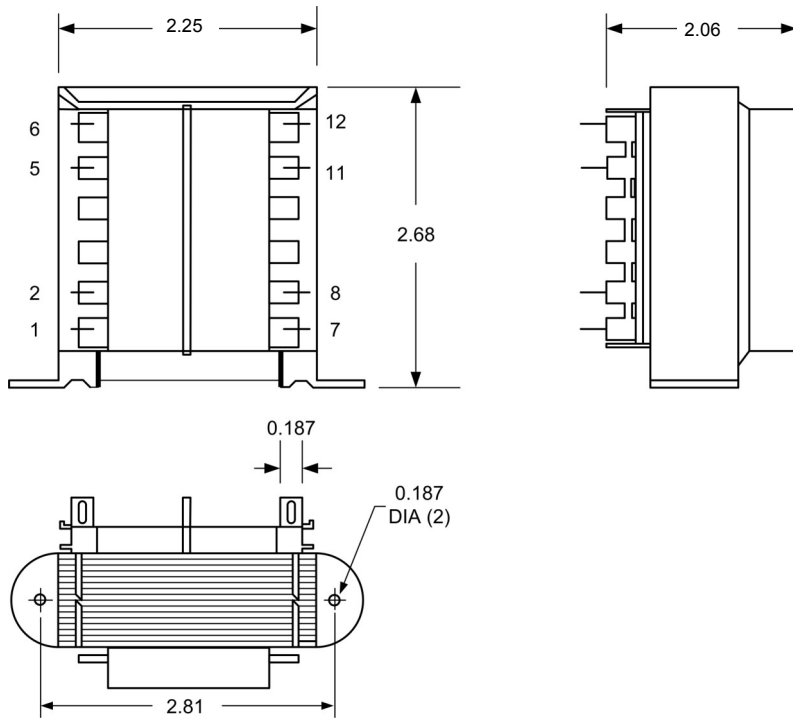


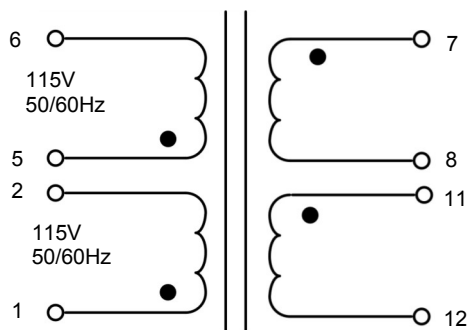
WORLDPOWER SERIES - INTERNATIONAL POWER TRANSFORMER



1. Electrical Specifications
 - A. Maximum Power: 43VA
 - B. Input Voltage and Frequency: 115/230V
 - C. Frequency: 50/60Hz
 - D. Temperature Class: F (155° C)
 - F. Hi-Pot: 4000Vrms 1 minute @ Pri to Sec
4000Vrms 1 minute @ Pri to Core
4000Vrms 1 minute @ Sec to Core
2. Marking: Powervolt part number (see table), date code, terminal numbers
3. Safety: UL/cUL 5085-2 Recognized (File E47299)



SCHEMATICS:



● INDICATE LIKE POLARITY

Primaries are designed to be used simultaneously. That is, they must be used either series or parallel connected (as one winding). Same applies to secondaries also.

Part Number	Series Connection	Parallel Connection
115/230V		
P41-43-10	10VCT @ 4.3A	5V @ 8.6A
P41-43-12	12.6VCT @ 3.4A	6.3V @ 6.8A
P41-43-16	16VCT @ 2.7A	8V @ 5.4A
P41-43-20	20VCT @ 2.2A	10V @ 4.4A
P41-43-24	24VCT @ 1.8A	12V @ 3.6A
P41-43-28	28VCT @ 1.5A	14V @ 3.0A
P41-43-36	36VCT @ 1.2A	18V @ 2.4A
P41-43-230	230VCT @ 0.19A	115V @ 0.38A

<p>The Power for your System</p>	<p>POWER TRANSFORMER WorldPower Series</p>		<p>P41-43-XXX</p>	
	<p>CONTENTS OF THIS DRAWING ARE SUBJECT TO CHANGE WITHOUT PRIOR NOTICE</p>		<p>Powervolt, Inc. 300 W. Factory Rd., Addison, IL 60101</p>	<p>Dim: Inches</p>
<p>PROPRIETARY NOTICE: THIS DRAWING PRINT OR DOCUMENT AND SUBJECT MATTER DISCLOSED HEREIN ARE PROPRIETARY ITEMS TO WHICH POWERVOLT RETAINS THE EXCLUSIVE RIGHT OF DISSEMINATION, MANUFACTURE AND SALE. THIS DRAWING, PRINT OR DOCUMENT IS SUBMITTED IN CONFIDENCE FOR CONSIDERATION BY THE RECIPIENT ALONE UNLESS PERMISSION FOR FURTHER DISCLOSURE IS EXPRESSLY GRANTED IN WRITING</p>				