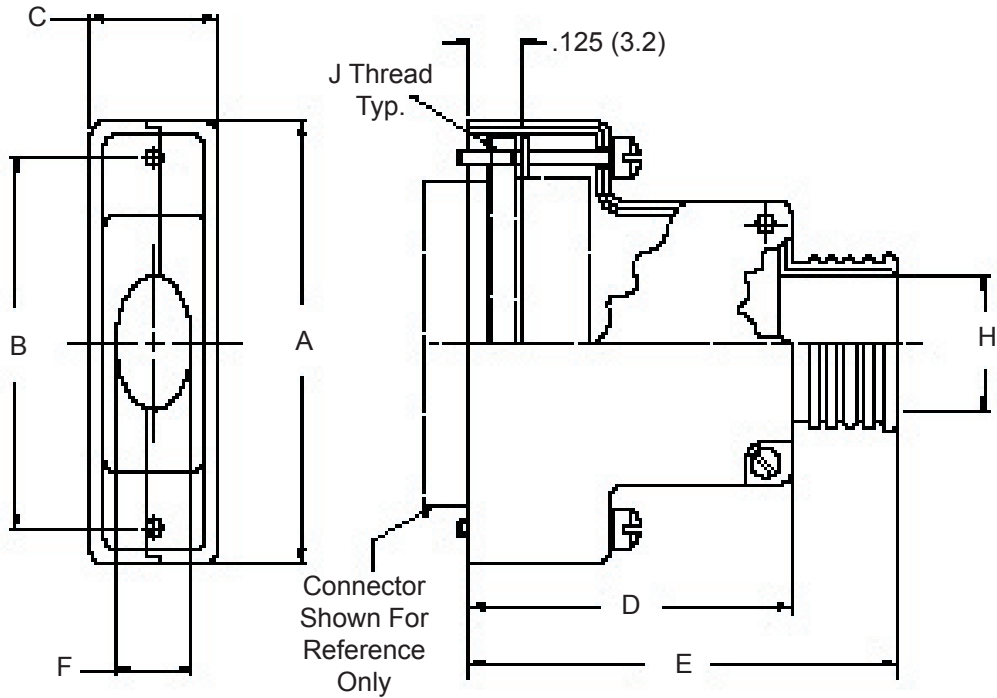


507-164
EMI/RFI Split Banding Micro-D Backshell
Elliptical Entry



HOW TO ORDER

Series	Basic Part Number	Shell Plating *	Shell Size (Table I)	Dash No. (Table II)	Hardware Options *	Band Option
507	164	C – Black Anodize	09	04	B – (2) male fillister head	B 600-057 Band Supplied (Omit if Not Required)
		E – Chem. Film	15	05	E – (2) extended jackscrew	
		J – Gold Iridite Over Cadmium Over Electroless Nickel	21	06	H – (2) male hex socket	
		M – Electroless Nickel	25	07	F – (2) female jackpost	
		NF – Cadmium, Olive Drab Over Electroless Nickel	31	08		
		Z2 – Gold	37	09		
			51	10		
			100	11		
				12		
				13		
				14		
				15		
				16		
Sample Part Number:						
507	— 164	M	21	05	B	B

* SEE PAGE C-4 FOR COMPLETE INFORMATION

Metric dimensions (mm) are indicated in parentheses.

507-164
EMI/RFI Split Banding Micro-D Backshell
Elliptical Entry



MIL-DTL-83513
 Micro-D

Elliptical entry Micro-D backshells offer greater wire accommodation than round entry backshells. These rugged aluminum backshells are designed for use with Glenair's EMI bands for shield termination. Please see page C-3 for elliptical entry cable bundle diameters.

- **Elliptical Entry for Increased Wire Bundle Size**
- **Aluminum Alloy**
- **Supplied with Mounting Hardware**

TABLE I: DIMENSIONS

SHELL SIZE	A		B		C		D	
	$\pm .005$	(0.1)	$\pm .010$	(.3)				
09	.915	(23.2)	.565	(14.4)	.450	(11.4)	.656	(16.7)
15	1.065	(27.1)	.715	(18.2)	.450	(11.4)	.718	(18.2)
21	1.215	(30.9)	.865	(22.0)	.450	(11.4)	.750	(19.1)
25	1.315	(33.4)	.965	(24.5)	.450	(11.4)	.812	(20.6)
31	1.465	(37.2)	1.115	(28.3)	.450	(11.4)	.843	(21.4)
37	1.615	(41.0)	1.265	(32.1)	.450	(11.4)	.906	(23.0)
51	1.565	(39.8)	1.215	(30.9)	.450	(11.4)	.968	(24.6)
100	2.305	(58.5)	1.800	(45.7)	.540	(13.7)	1.031	(26.2)

SHELL SIZE	E Dia		F Dia		G THREAD	MAX DASH NO. (TABLE II)
	$\pm .020$	(.5)	$\pm .010$	(.3)		
09	.968	(24.6)	.160	(4.1)	2-56 UNC-2	04
15	1.031	(26.2)	.190	(4.8)	2-56 UNC-2	05
21	1.062	(27.0)	.220	(5.6)	2-56 UNC-2	06
25	1.125	(28.6)	.260	(6.6)	2-56 UNC-2	08
31	1.156	(29.4)	.275	(7.0)	2-56 UNC-2	10
37	1.218	(30.9)	.285	(7.2)	2-56 UNC-2	13
51	1.281	(32.5)	.350	(8.9)	2-56 UNC-2	12
100	1.343	(34.1)	.490	(12.4)	4-40 UNC-2	16

TABLE II: CABLE ENTRY

DASH NO.	H	
04	.250	(6.4)
05	.312	(7.9)
06	.375	(9.5)
07	.437	(11.1)
08	.500	(12.7)
09	.562	(14.3)
10	.625	(15.9)
11	.688	(17.5)
12	.750	(19.1)
13	.812	(20.6)
14	.875	(22.2)
15	.938	(23.8)
16	1.000	(25.4)

Metric dimensions (mm) are indicated in parentheses.