

PLEASE CHECK WWW.MOLEX.COM FOR LATEST PART INFORMATION

Part Number: [0441500011](#)
Status: **Active**
Overview: [modular_plugs_jacks](#)
Description: Modular Jack, Right Angle, Low Profile, 8/8, 2 Ports

Documents:

[3D Model](#) [Product Specification PS-44050-003 \(PDF\)](#)
[Drawing \(PDF\)](#) [RoHS Certificate of Compliance \(PDF\)](#)

Agency Certification

CSA LR19980
 UL E107635

General

Product Family Modular Jacks/Plugs
 Series [44150](#)
 Comments External Shield
 Component Type PCB Jack
 Magnetic No
 Overview [modular_plugs_jacks](#)
 Performance Category 5e
 Power over Ethernet (PoE) N/A
 Product Name RJ45

Physical

Color - Resin Black
 Durability (mating cycles max) 500
 Flammability 94V-0
 Inverted / Top Latch No
 Lightpipes/LEDs None
 Material - Metal Brass, Phosphor Bronze
 Material - Plating Mating Gold
 Material - Plating Termination Tin
 Material - Resin Nylon
 Orientation Right Angle (Side Entry)
 PCB Retention Yes
 PCB Thickness Recommended (in) 0.062 In
 PCB Thickness Recommended (mm) 1.60 mm
 Packaging Type Tray
 Plating min: Mating (µin) 50
 Plating min: Mating (µm) 1.25
 Plating min: Termination (µin) 100
 Plating min: Termination (µm) 2.5
 Ports 2
 Positions / Loaded Contacts 8/8
 Surface Mount Compatible (SMC) No
 Temperature Range - Operating -40°C to +80°C
 Termination Interface: Style Through Hole
 Wire/Cable Type N/A

Electrical

Current - Maximum per Contact 1.5A
 Shielded Yes
 Voltage - Maximum 125V

Solder Process Data

Lead-free Process Capability Wave Capable (TH only)

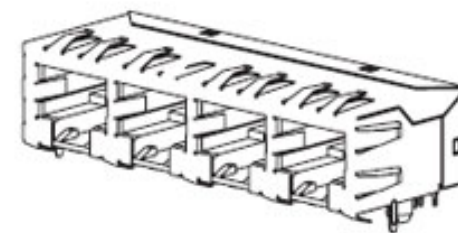


image - Reference only

Series

EU RoHS

**ELV and RoHS
 Compliant**
REACH SVHC
 Not Reviewed
**Halogen-Free
 Status**
Not Reviewed

China RoHS



**Need more information on product
 environmental compliance?**

Email productcompliance@molex.com
 For a multiple part number RoHS Certificate of
 Compliance, [click here](#)

Please visit the [Contact Us](#) section for any
 non-product compliance questions.

Search Parts in this Series

[44150Series](#)

Mates With

FCC 68 Plugs

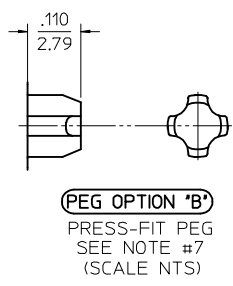
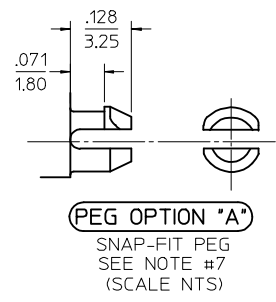
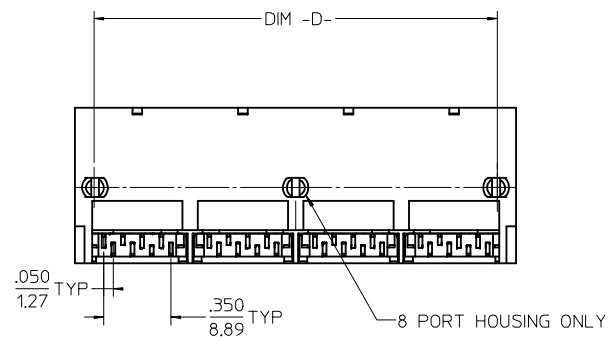
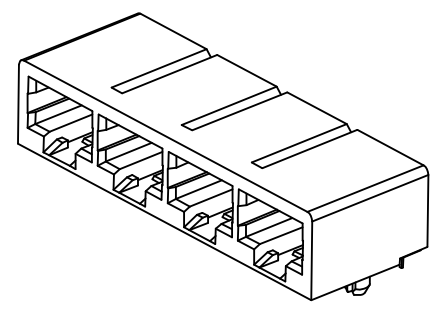
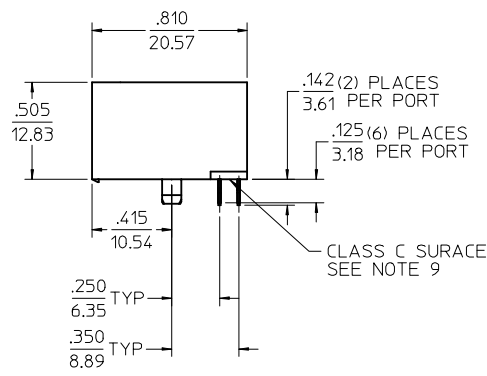
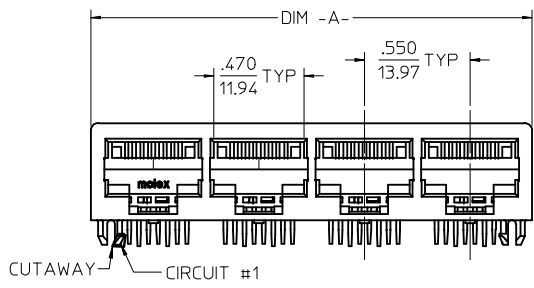
Material Info

Reference - Drawing Numbers

Packaging Specification	PK-44150-004
Product Specification	PS-44050-003
Sales Drawing	SD-44150-002
Test Summary	TS-44050-001

This document was generated on 06/07/2010

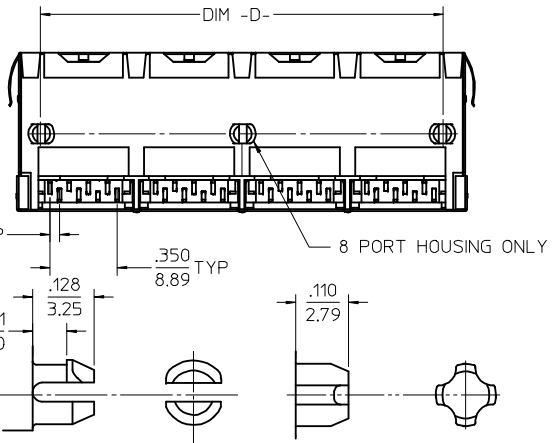
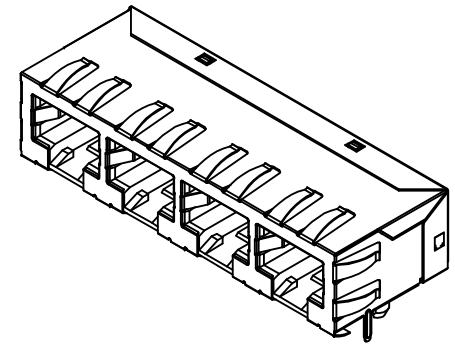
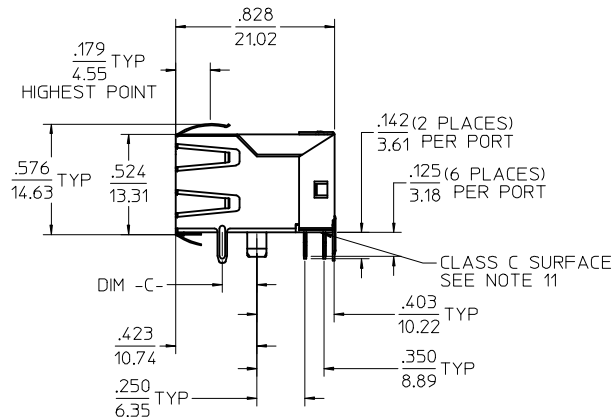
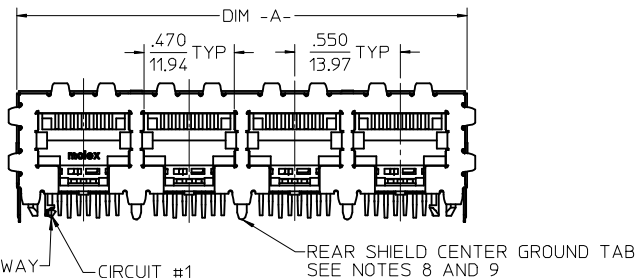
PLEASE CHECK WWW.MOLEX.COM FOR LATEST PART INFORMATION



- NOTES:
- 1) MATERIAL:
HOUSING: NYLON(PA), GLASS FILLED, UL94V-0, COLOR: BLACK
TERMINALS: PHOSPHOR BRONZE
 - 2) FINISH:
TERMINALS:
SELECT GOLD IN CONTACT AREA: 50 MICROINCHES / 1.27 MICROMETERS MIN.,
*SELECT TIN IN PC TAIL AREA: 100 MICROINCHES / 2.54 MICROMETERS MIN.,
WITH OVERALL NICKEL UNDERPLATE: 50 MICROINCHES / 1.27 MICROMETERS MIN.
*THE PRIMARY SHIPPING CARTON WILL BE LABELED "COMPLIANT TO RoHS DIRECTIVE 2002/95/EC AND ELV ANNEX II OF DIRECTIVE 2000/53/EC".
CARTONS WITHOUT THIS LABEL MAY CONTAIN PRODUCT WITH TIN-LEAD IN THE PC TAILS.
 - 3) PRODUCT SPECIFICATION AND PROCESSING PARAMETERS: PS-44050-003.
 - 4) PACKAGING SPECIFICATION:
UNSHIELDED CONNECTOR ASSEMBLIES IN THERMOFORMED TRAYS PER MOLEX PACKAGING SPECIFICATION PK-44150-005.
 - 5) MATES WITH: MODULAR PLUGS THAT CONFORM TO FCC REGULATION PART 68.5.
 - 6) PC BOARD LAYOUTS AND PANEL CUT-OUT SHOWN ON PAGE (3) OF (3).
 - 7) CONNECTOR AVAILABLE WITH EITHER PEG OPTION "A" (SNAP-FIT) OR PEG OPTION "B" (PRESS-FIT). THIS DRAWING SHOWS PEG OPTION "A".
 - 8) TERMINAL LENGTHS MAY BE DIFFERENT FROM TERMINAL TO TERMINAL.
 - 9) THIS PART CONFORMS TO CLASS B REQUIREMENTS OF COSMETIC SPECIFICATION PS-45499-002 WITH THE EXCEPTION OF THE SURFACE INDICATED WHICH IS A CLASS C SURFACE.

ASSEMBLY MATERIAL NUMBER	NUMBER OF PORTS	PEG OPTION	CENTER PEG	DIM -A-	DIM -D-
441500001	2	A	NO	1.200/30.48	1.000/25.40
441500017	2	B	NO	1.200/30.48	1.000/25.40
441500002	4	A	NO	2.300/58.42	2.100/53.34
441500018	4	B	NO	2.300/58.42	2.100/53.34
441500003	6	A	NO	3.400/86.36	3.200/81.28
441500019	6	B	NO	3.400/86.36	3.200/81.28
441500004	8	A	YES	4.500/114.30	4.300/109.22
441500020	8	B	YES	4.500/114.30	4.300/109.22

ADD NOTE 9 EC NO: UCP2009-0477 DRWN:JBELL 2008/09/05 CHKD:JBELL 2008/09/11 APPR:FSMTH 2008/09/11	DESCRIPTION QUALITY SYMBOLS ▽=0 ▽=0	GENERAL TOLERANCES (UNLESS SPECIFIED)		DIMENSION STYLE IN/MM		SCALE 2:1	DESIGN UNITS INCH	THIRD ANGLE PROJECTION																
		<table border="1"> <thead> <tr> <th></th> <th>mm</th> <th>INCH</th> </tr> </thead> <tbody> <tr> <td>4 PLACES</td> <td>± .010</td> <td>± .0004</td> </tr> <tr> <td>3 PLACES</td> <td>± .010</td> <td>± .0004</td> </tr> <tr> <td>2 PLACES</td> <td>± 0.25</td> <td>± .010</td> </tr> <tr> <td>1 PLACE</td> <td>± .010</td> <td>± .0004</td> </tr> </tbody> </table>			mm	INCH	4 PLACES	± .010	± .0004	3 PLACES	± .010	± .0004	2 PLACES	± 0.25	± .010	1 PLACE	± .010	± .0004	DRAWN BY MARANTO		DATE 98/01/21	TITLE CATEGORY 5E MODULAR JACK ASSEMBLIES, GANGED		
			mm	INCH																				
		4 PLACES	± .010	± .0004																				
3 PLACES	± .010	± .0004																						
2 PLACES	± 0.25	± .010																						
1 PLACE	± .010	± .0004																						
ANGULAR ±1/2°		CHECKED BY ROBERTS		DATE 98/01/21																				
DRAFT WHERE APPLICABLE MUST REMAIN WITHIN DIMENSIONS		APPROVED BY ROBERTS		DATE 98/01/21	MATERIAL NO. SEE CHART		MOLEX INCORPORATED DOCUMENT NO. SD-44150-002																	
D1		SIZE C		THIS DRAWING CONTAINS INFORMATION THAT IS PROPRIETARY TO MOLEX INCORPORATED AND SHOULD NOT BE USED WITHOUT WRITTEN PERMISSION		SHEET NO. 1 OF 3																		



PEG OPTION 'A'

SNAP-FIT PEG
SEE NOTE #8
(SCALE NTS)

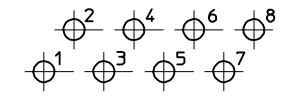
PEG OPTION 'B'

PRESS-FIT PEG
SEE NOTE #8
(SCALE NTS)

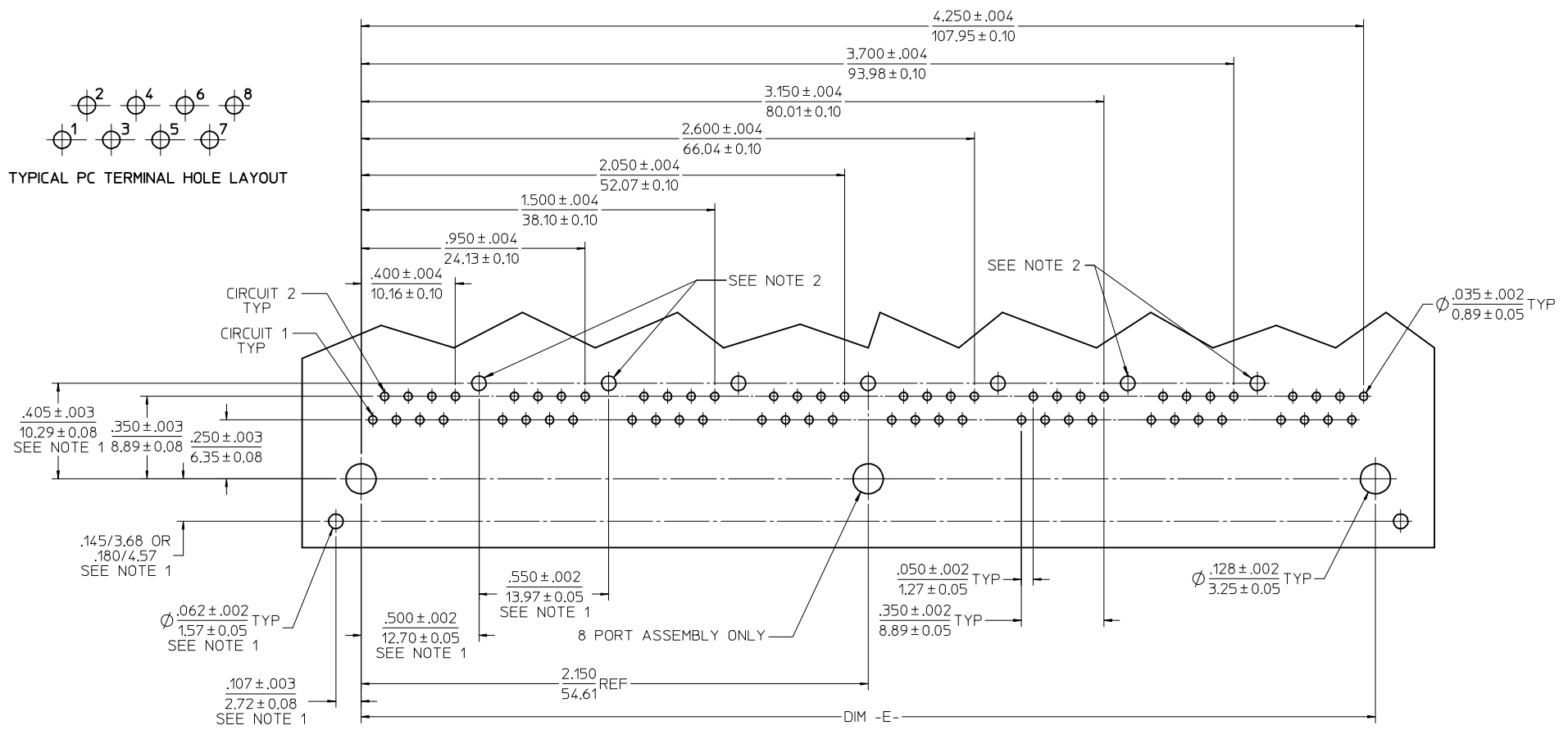
- NOTES:
- MATERIAL:
HOUSING: NYLON(PA), GLASS FILLED, UL94V-0, COLOR: BLACK
TERMINALS: PHOSPHOR BRONZE
SHIELD: BRASS
 - FINISH:
TERMINALS:
SELECT GOLD IN CONTACT AREA: 50 MICROINCHES / 1.27 MICROMETERS MIN.,
*SELECT TIN IN PC TAIL AREA: 100 MICROINCHES / 2.54 MICROMETERS MIN.,
WITH OVERALL NICKEL UNDERPLATE: 50 MICROINCHES / 1.27 MICROMETERS MIN.
SHIELD:
*100 MICROINCHES / 2.54 MICROMETERS NICKEL OVER 50 MICROINCHES /
1.27 MICROMETERS COPPER UNDERPLATE, PCB GROUND TABS DIPPED IN TIN
*THE PRIMARY SHIPPING CARTON WILL BE LABELED 'COMPLIANT TO ROHS
DIRECTIVE 2002/95/EC AND ELV ANNEX II OF DIRECTIVE 2000/53/EC'.
CARTONS WITHOUT THIS LABEL MAY CONTAIN PRODUCT WITH TIN-LEAD
IN THE PC TAILS AND/OR SHIELD.
 - PRODUCT SPECIFICATION AND PROCESSING PARAMETERS: PS-44050-003.
 - PACKAGING SPECIFICATION:
SHIELDED CONNECTOR ASSEMBLIES IN THERMOFORMED TRAYS PER MOLEX
PACKAGING SPECIFICATION PK-44150-004.
 - MATES WITH: MODULAR PLUGS THAT CONFORM TO FCC REGULATION PART 68.5.
 - PC BOARD LAYOUTS AND PANEL CUT-OUT SHOWN ON PAGE (3) OF (3).
 - CONNECTOR AVAILABLE WITH EITHER PEG OPTION 'A' (SNAP-FIT) OR
PEG OPTION 'B' (PRESS-FIT). THIS DRAWING SHOWS PEG OPTION 'A'.
 - (4) PORT AND (8) PORT MODJACKS AVAILABLE WITH A SINGLE GROUND TAB ON REAR
OF SHIELD, LOCATED IN THE CENTER. PER THE ASSEMBLY MATERIAL NUMBER TABLE.
 - (8) PORT VERSION AVAILABLE WITH (3) GROUND TABS ON REAR OF SHIELD,
CENTERED ON THE PART, PER THE ASSEMBLY MATERIAL NUMBER TABLE.
 - TERMINAL LENGTHS MAY BE DIFFERENT FROM TERMINAL TO TERMINAL.
 - THIS PART CONFORMS TO CLASS B REQUIREMENTS OF COSMETIC SPECIFICATION
PS-45499-002 WITH THE EXCEPTION OF THE SURFACE INDICATED WHICH IS A
CLASS C SURFACE.

ASSEMBLY MATERIAL NUMBER	NUMBER OF PORTS	PEG OPTION	CENTER PEG	REAR SHIELD GROUND TABS	DIM -A-	DIM -C-	DIM -D-
441500005	2	A	NO	1	1.225/31.12	0.145/3.68	1.000/25.40
441500011	2	A	NO	1	1.225/31.12	0.180/4.57	1.000/25.40
441500021	2	B	NO	1	1.225/31.12	0.145/3.68	1.000/25.40
441500027	2	B	NO	1	1.225/31.12	0.180/4.57	1.000/25.40
441500009	4	A	NO	1	2.325/59.05	0.145/3.68	2.100/53.34
441500015	4	A	NO	1	2.325/59.05	0.180/4.57	2.100/53.34
441500006	4	A	NO	3	2.325/59.05	0.145/3.68	2.100/53.34
441500012	4	A	NO	3	2.325/59.05	0.180/4.57	2.100/53.34
441500025	4	B	NO	1	2.325/59.05	0.145/3.68	2.100/53.34
441500031	4	B	NO	1	2.325/59.05	0.180/4.57	2.100/53.34
441500022	4	B	NO	3	2.325/59.05	0.145/3.68	2.100/53.34
441500028	4	B	NO	3	2.325/59.05	0.180/4.57	2.100/53.34
441500034	4	B	NO	3	2.325/59.05	N/A	2.100/53.34
441500007	6	A	NO	5	3.425/87.00	0.145/3.68	3.200/81.28
441500013	6	A	NO	5	3.425/87.00	0.180/4.57	3.200/81.28
441500023	6	B	NO	5	3.425/87.00	0.145/3.68	3.200/81.28
441500029	6	B	NO	5	3.425/87.00	0.180/4.57	3.200/81.28
441500010	8	A	YES	1	4.525/114.94	0.145/3.68	4.300/109.22
441500016	8	A	YES	1	4.525/114.94	0.180/4.57	4.300/109.22
441500033	8	A	YES	3	4.525/114.94	0.145/3.68	4.300/109.22
441500008	8	A	YES	7	4.525/114.94	0.145/3.68	4.300/109.22
441500014	8	A	YES	7	4.525/114.94	0.180/4.57	4.300/109.22
441500026	8	B	YES	1	4.525/114.94	0.145/3.68	4.300/109.22
441500032	8	B	YES	1	4.525/114.94	0.180/4.57	4.300/109.22
441500024	8	B	YES	7	4.525/114.94	0.145/3.68	4.300/109.22
441500030	8	B	YES	7	4.525/114.94	0.180/4.57	4.300/109.22

ADD NOTE 11 EC NO: UCP2009-0477 DRWN: BELL 2008/09/05 CHKD: BELL 2008/09/11 APPR: FSMITH 2008/09/11 REV: D1	QUALITY SYMBOLS ▽=0 ▽=0	GENERAL TOLERANCES (UNLESS SPECIFIED) <table border="1"> <tr><th>mm</th><th>INCH</th></tr> <tr><td>4 PLACES ± ---</td><td>± ---</td></tr> <tr><td>3 PLACES ± ---</td><td>± .010</td></tr> <tr><td>2 PLACES ± 0.25</td><td>± ---</td></tr> <tr><td>1 PLACE ± ---</td><td>± ---</td></tr> </table>	mm	INCH	4 PLACES ± ---	± ---	3 PLACES ± ---	± .010	2 PLACES ± 0.25	± ---	1 PLACE ± ---	± ---	DIMENSION STYLE IN/MM	SCALE 2:1	DESIGN UNITS INCH	THIRD ANGLE PROJECTION
		mm	INCH													
4 PLACES ± ---	± ---															
3 PLACES ± ---	± .010															
2 PLACES ± 0.25	± ---															
1 PLACE ± ---	± ---															
DRAFT WHERE APPLICABLE MUST REMAIN WITHIN DIMENSIONS	DRAWN BY MARANTO	DATE 98/01/21	CHECKED BY ROBERTS	DATE 98/01/21	APPROVED BY ROBERTS	DATE 98/01/21										
MATERIAL NO. SEE CHART		DOCUMENT NO. SD-44150-002		MOLEX INCORPORATED		SHEET NO. 2 OF 3										
THIS DRAWING CONTAINS INFORMATION THAT IS PROPRIETARY TO MOLEX INCORPORATED AND SHOULD NOT BE USED WITHOUT WRITTEN PERMISSION																



TYPICAL PC TERMINAL HOLE LAYOUT

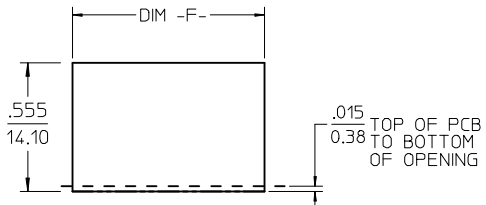


PCB LAYOUT : COMPONENT SIDE
RECOMMENDED PCB THICKNESS : .062/1.57

NOTES:

1. DIMENSIONS REFER TO SHIELDED ASSEMBLIES ONLY
2. SHIELD PCB GROUND TAB HOLES SPECIFIED NOT PRESENT FOR 441500033 USAGE

NUMBER OF PORTS	DIM -E-	DIM -F-
2	1.000/25.40	1.255/31.88
4	2.100/53.34	2.355/59.82
6	3.200/81.28	3.455/87.86
8	4.300/109.22	4.555/115.70



SUGGESTED PANEL OPENING
SHIELDED VERSIONS

SEE SHEET 1 EC NO: UCP2009-0477 DRWN:JBELL 2008/09/05 CHKD:JBELL 2008/09/11 APPR:FSMITH 2008/09/11 D1	QUALITY SYMBOLS ▽=0 ▽=0	GENERAL TOLERANCES (UNLESS SPECIFIED)		DIMENSION STYLE IN/MM		SCALE	DESIGN UNITS INCH	THIRD ANGLE PROJECTION						
		4 PLACES ± --- ± ---	3 PLACES ± --- ± .010	2 PLACES ± 0.25 ± ---	1 PLACE ± --- ± ---	ANGULAR ± 1/2°	DRAFT WHERE APPLICABLE MUST REMAIN WITHIN DIMENSIONS	DRAWN BY MARANTO 98/01/21	DATE 98/01/21	CHECKED BY ROBERTS 98/01/21	DATE 98/01/21	APPROVED BY ROBERTS 98/01/21	DATE 98/01/21	TITLE CATEGORY 5E MODULAR JACK ASSEMBLIES, GANGED
		MATERIAL NO. N/A						MOLEX INCORPORATED						
		SIZE C THIS DRAWING CONTAINS INFORMATION THAT IS PROPRIETARY TO MOLEX INCORPORATED AND SHOULD NOT BE USED WITHOUT WRITTEN PERMISSION						DOCUMENT NO. SD-44150-002	SHEET NO. 3 OF 3					