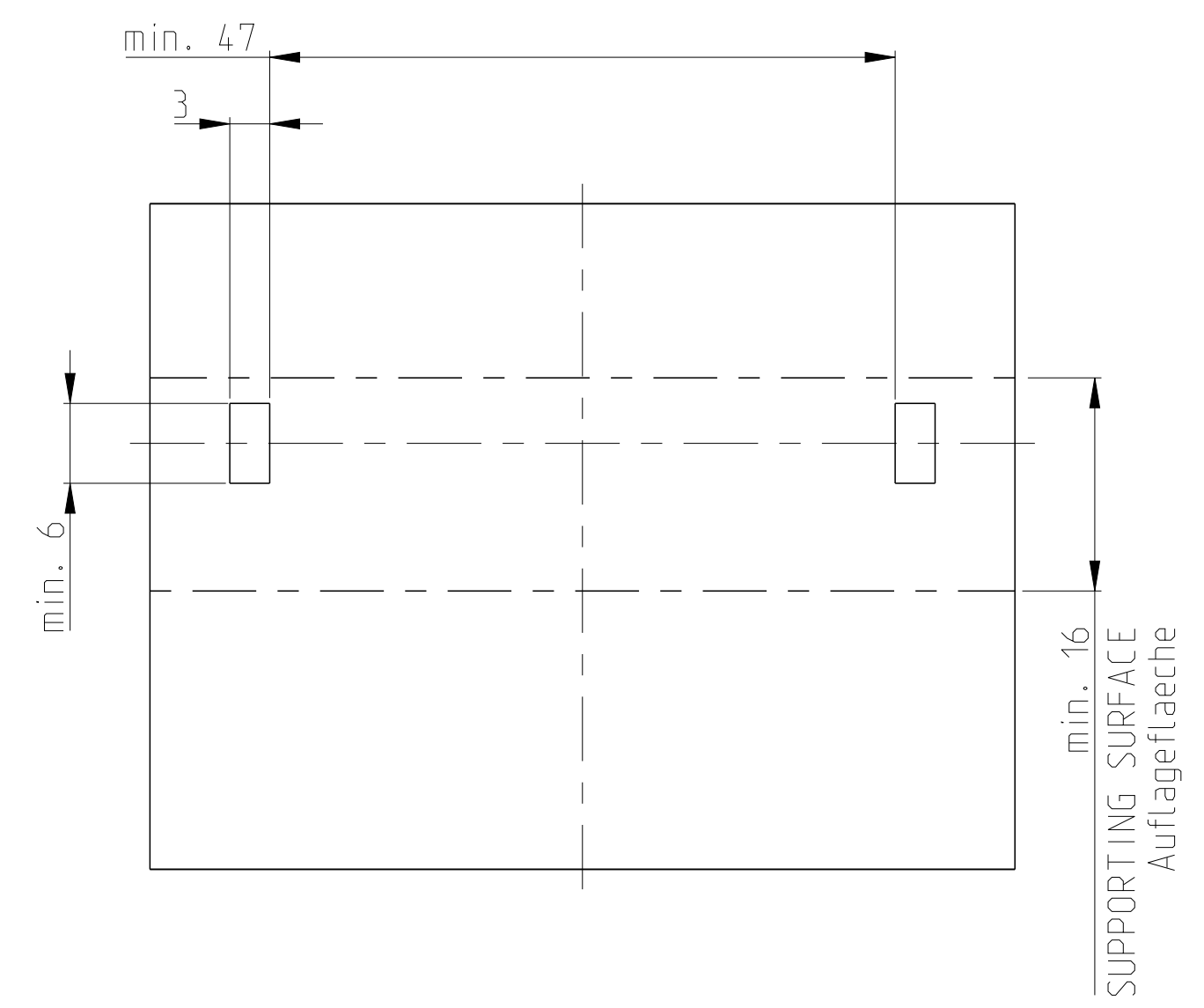
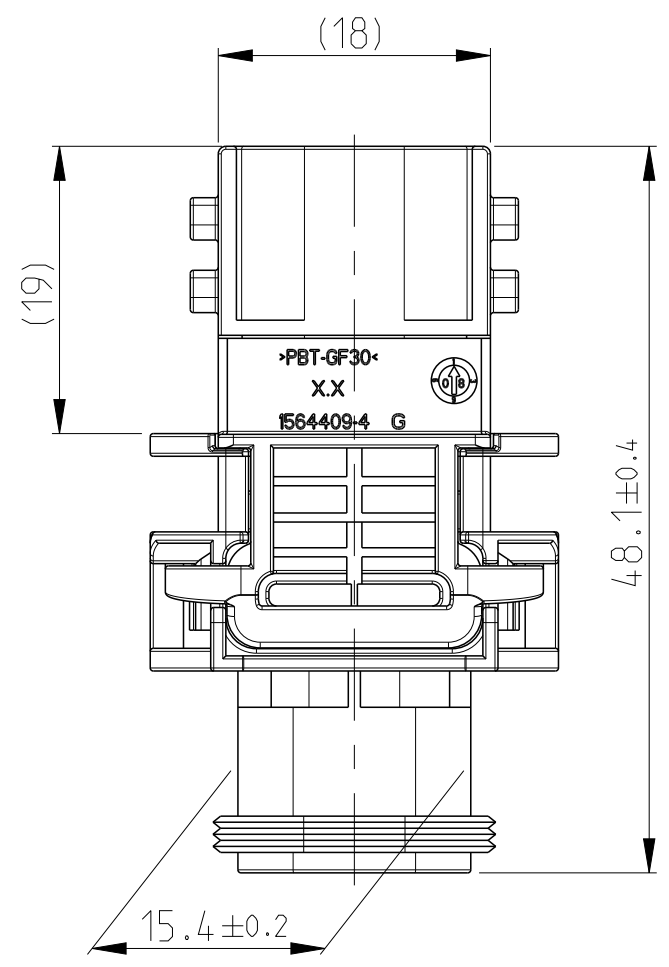
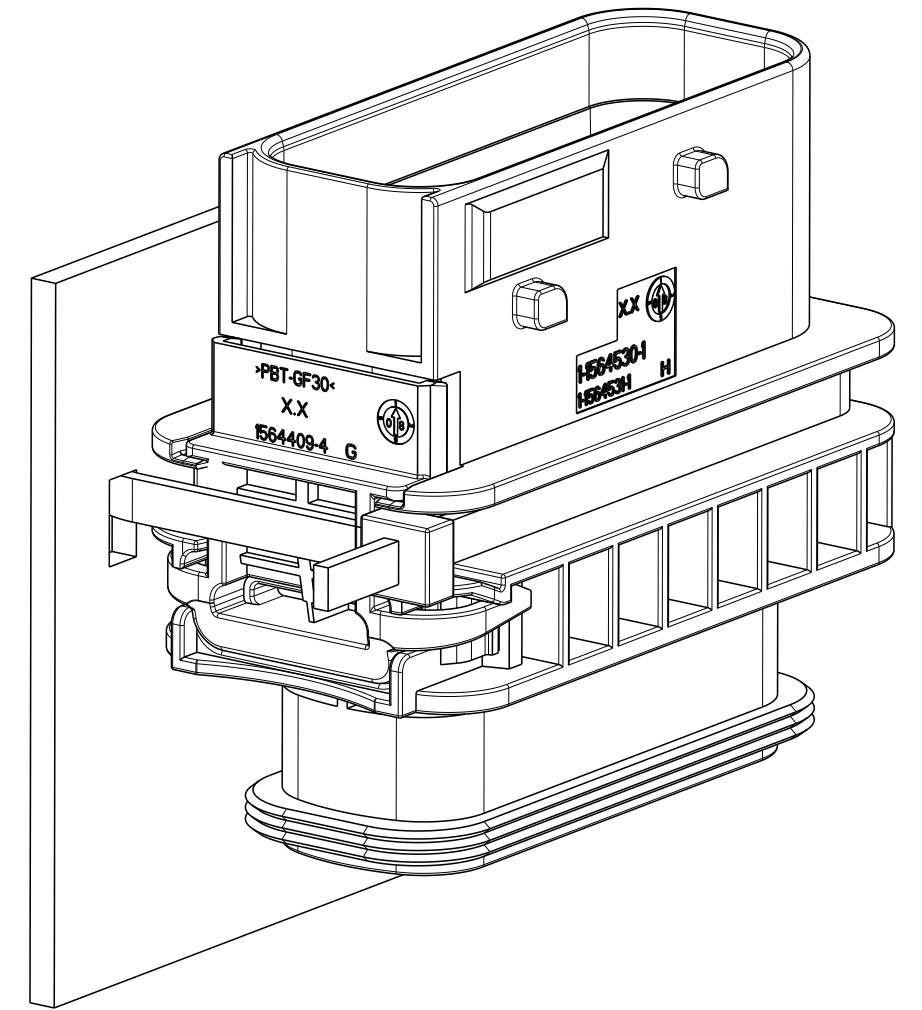
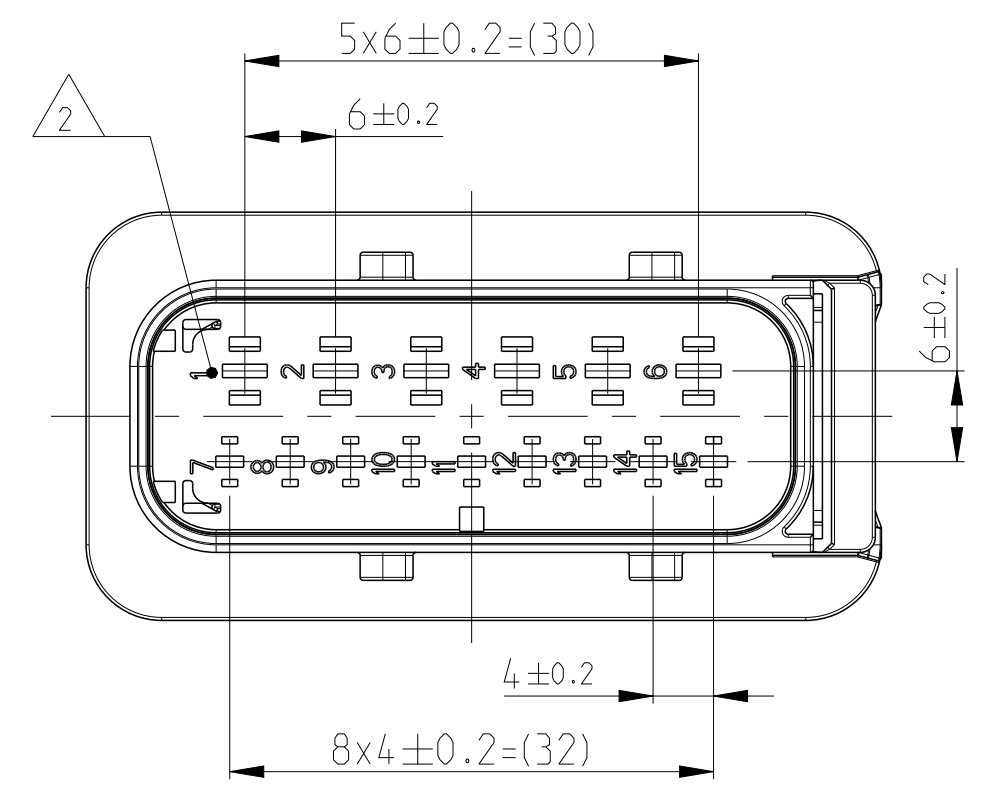
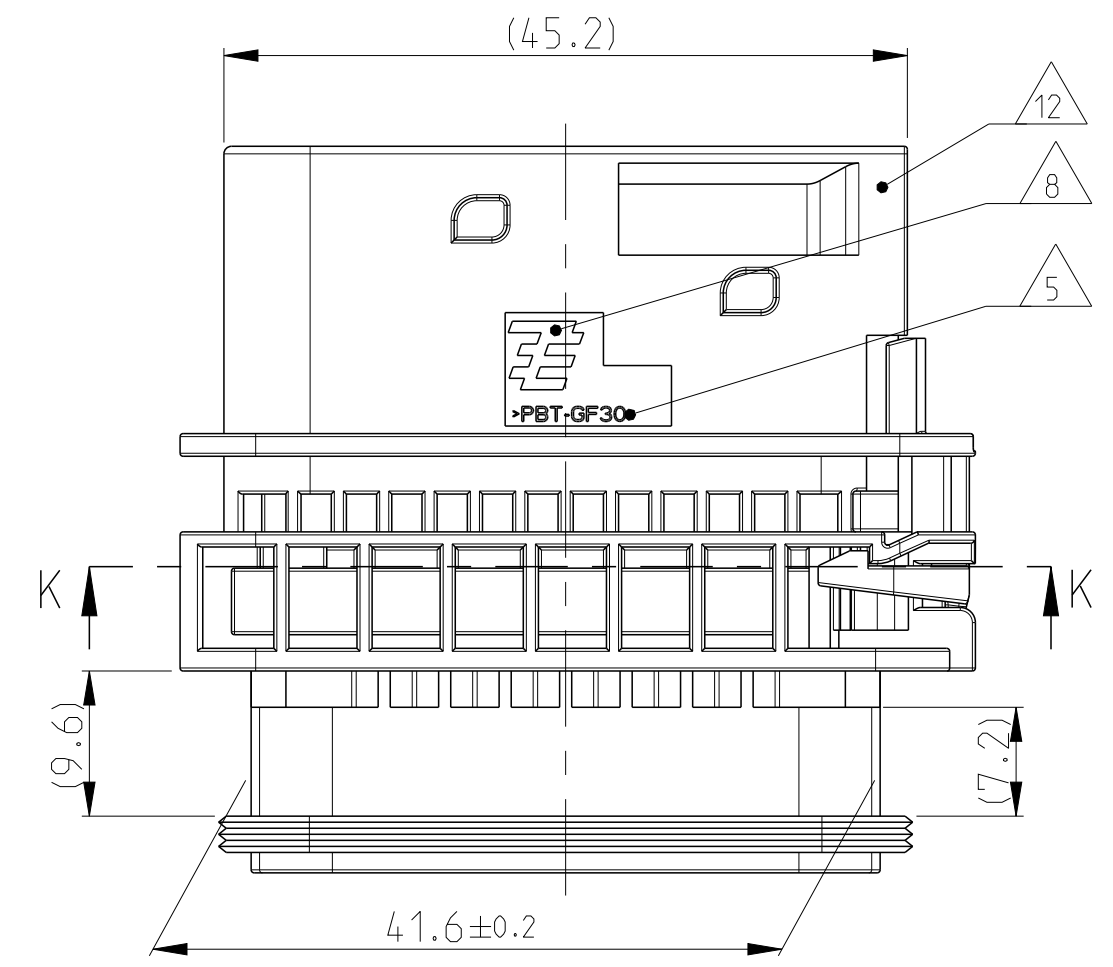
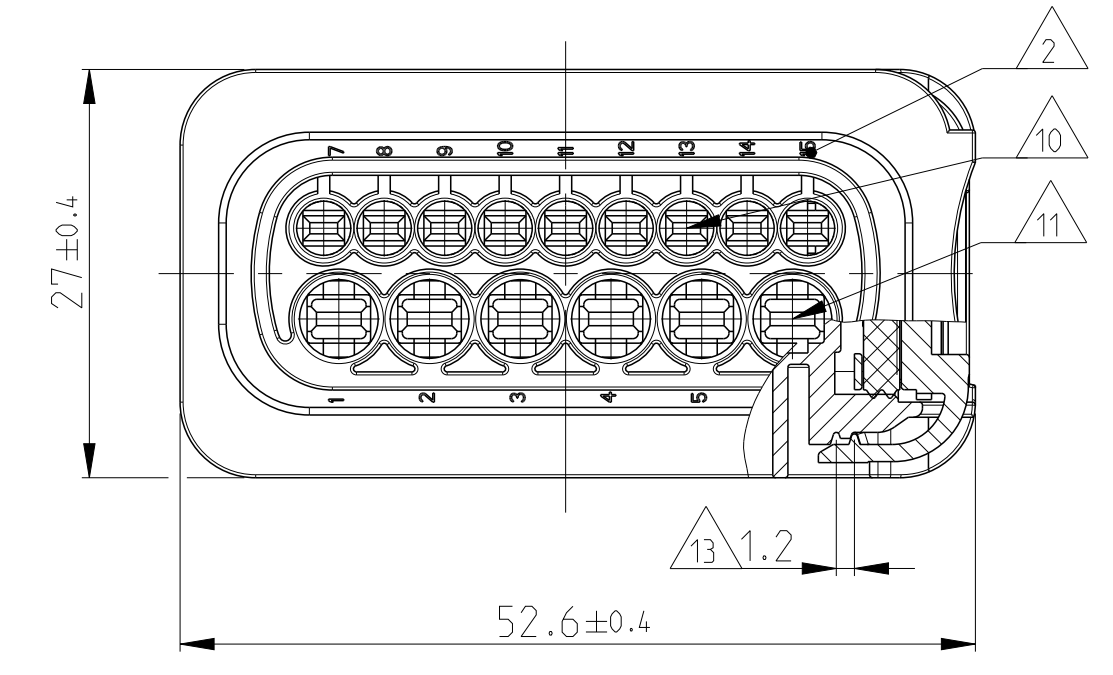


PREFERRED MOUNTING SITUATION FOR CABLE TIE
 Bevorzugte Montagestellung fuer Kabelbinder



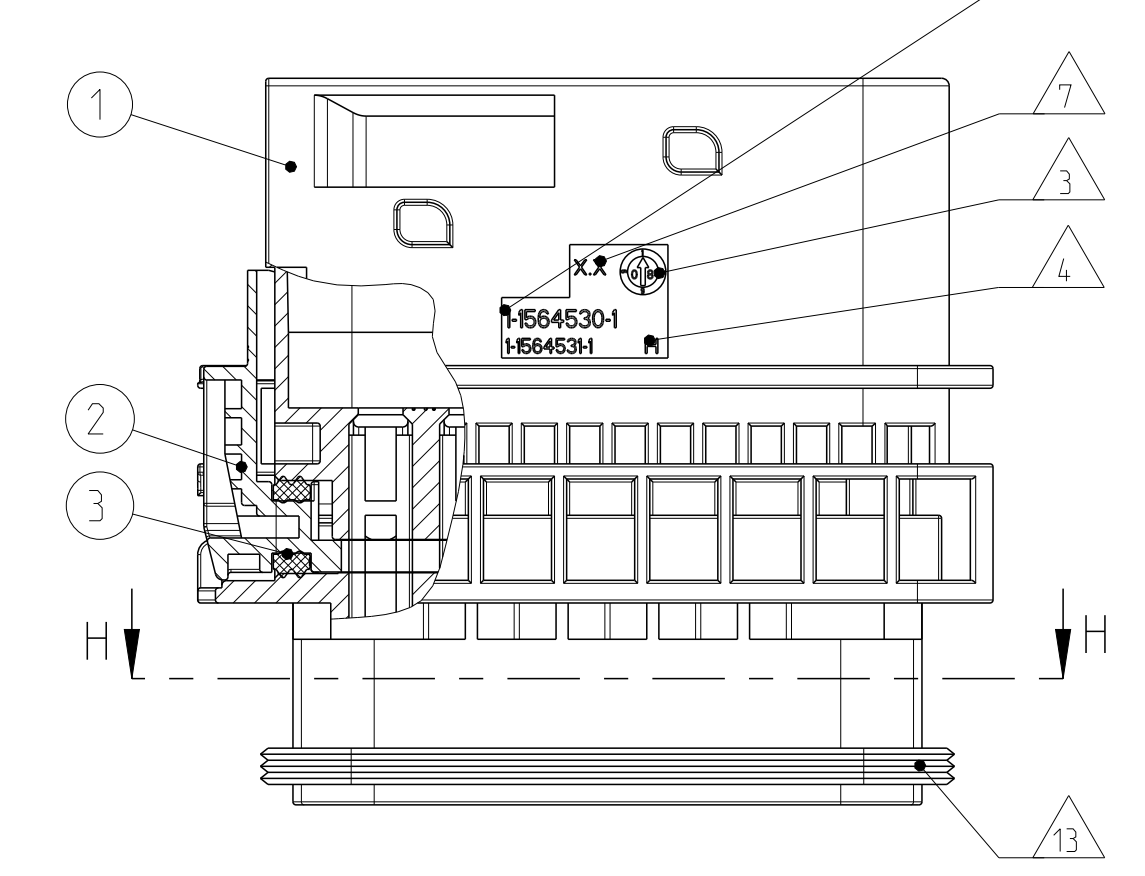
SECTION K-K
 Schnitt



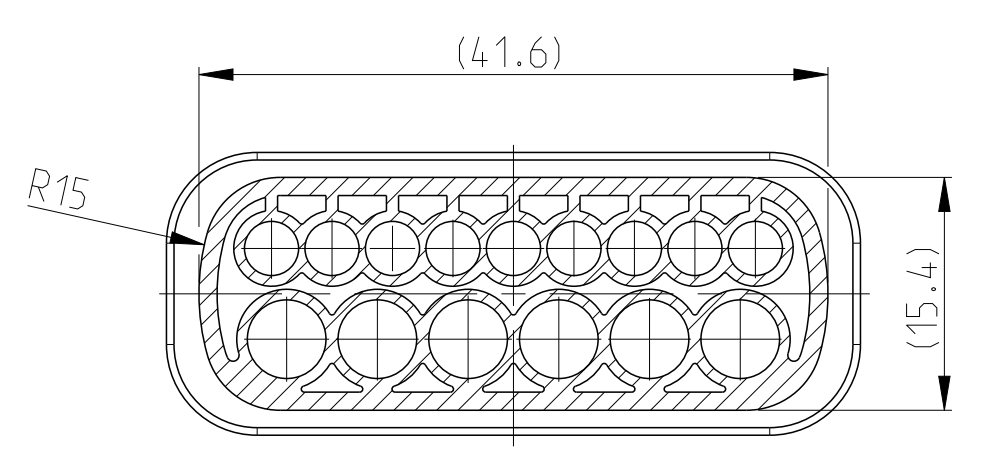
1-1564530-1 AS SHOWN
 1-1564530-1 wie gezeigt

DELIVERY CONDITION:
 SECONDARY LOCKING DEVICE
 IN PRE-LOCKED POSITION
 Lieferzustand:
 2. Kontaktsicherung in Vorraststellung

SECTION A-A
 Schnitt



SECTION H-H
 Schnitt



LOC	DIST	REV	DATE	BY	APPV
A1	-	G	19FEB2009	GB	CE
		H	25MAY2011	DB	CE
		H1	27APR2016	MAH	GILC

NOTES
 Bemerkungen

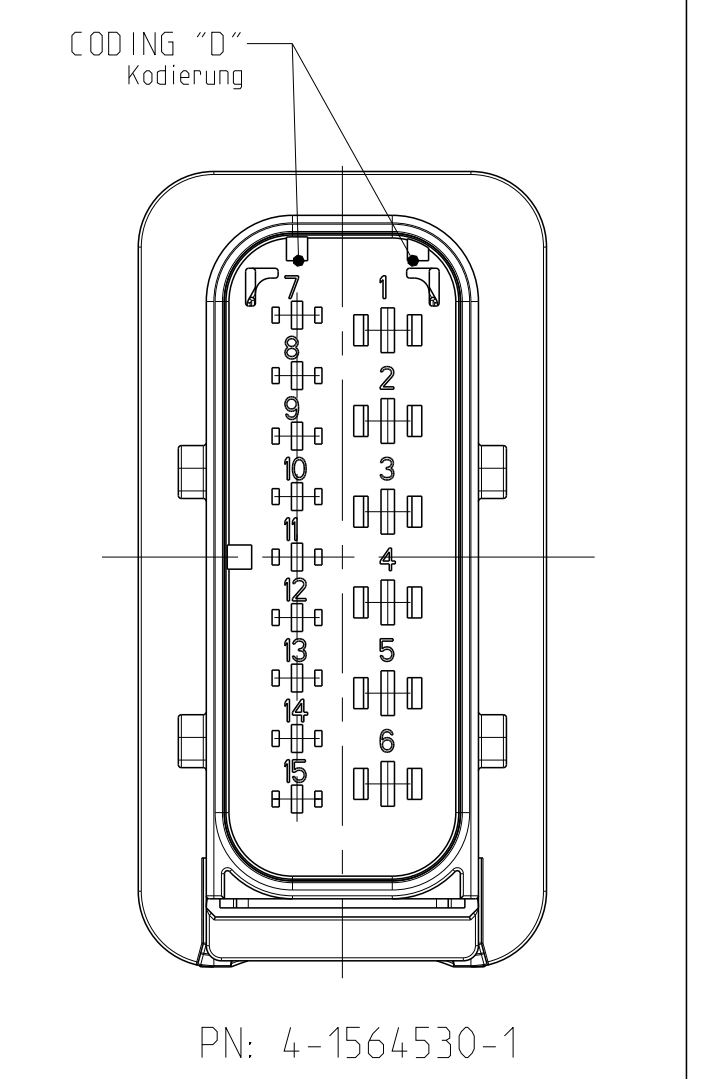
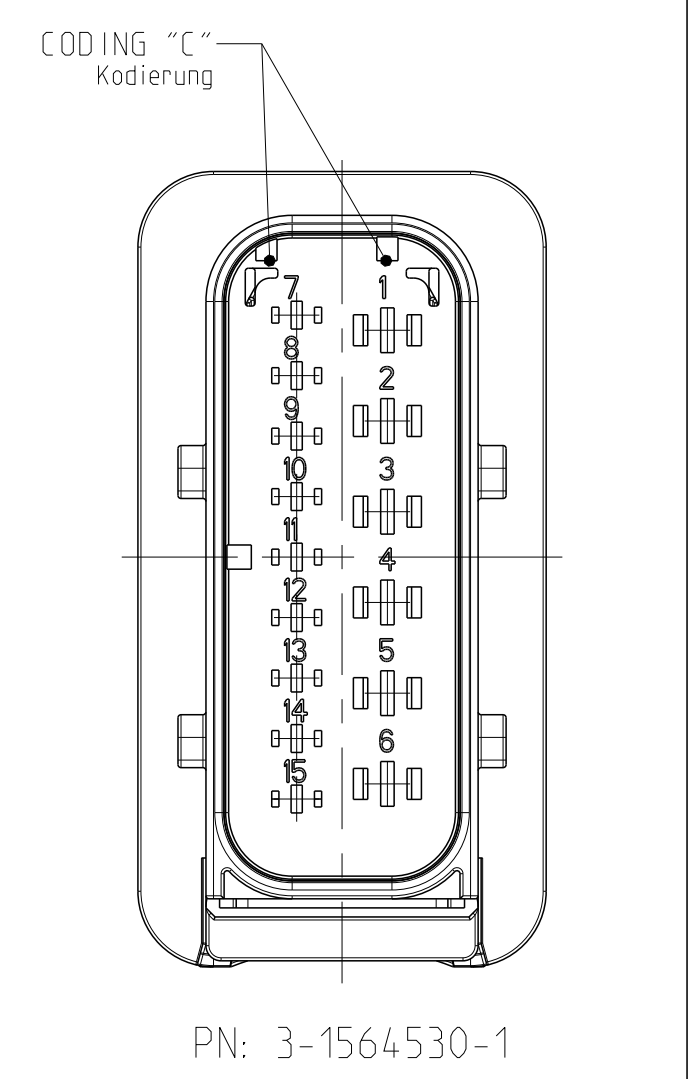
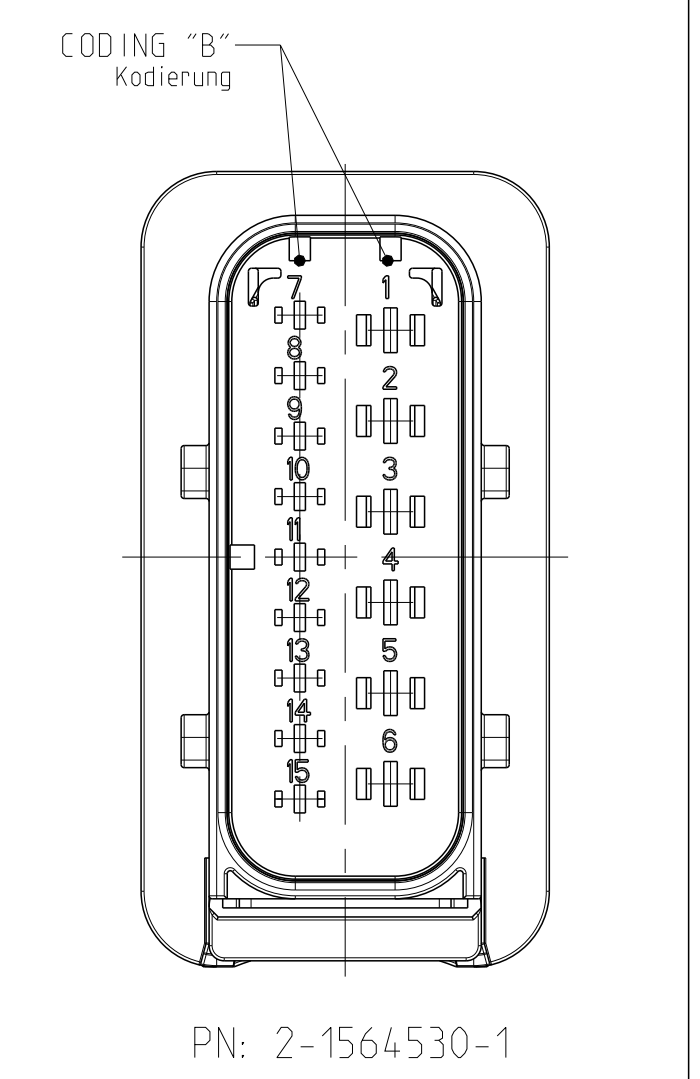
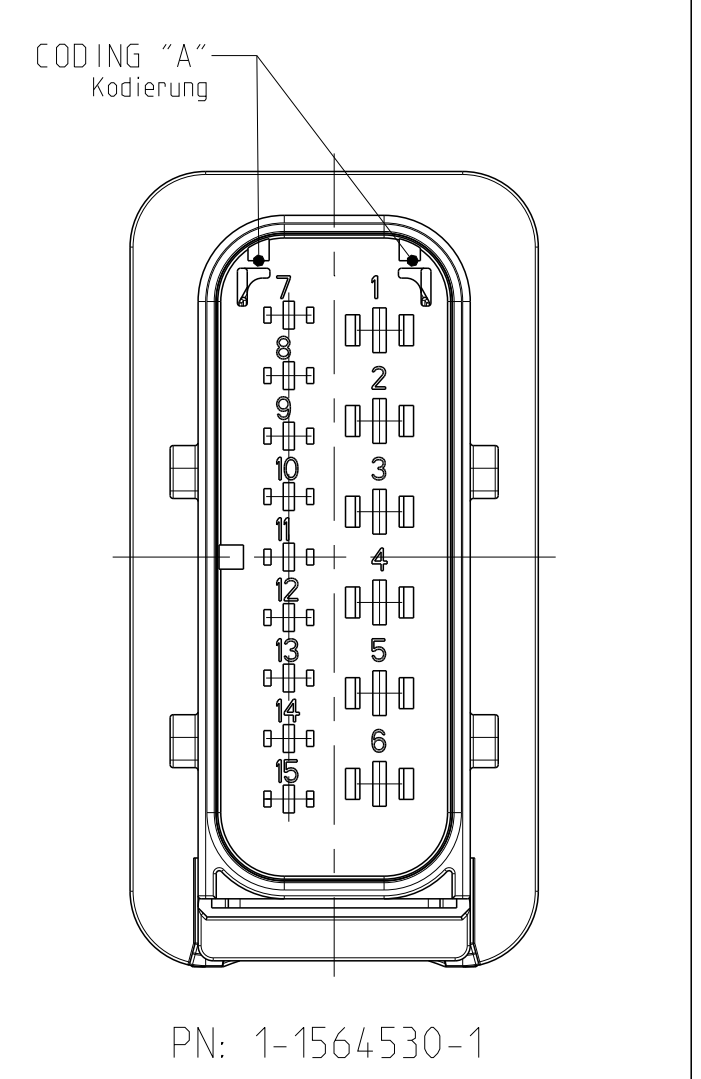
- 1 TE ORDER-NO.
TE Bestell-Nr.
- 2 CAVITY NUMBERING
Kammerbezeichnung
- 3 PRODUCTION DATE
Produktionsdatum
- 4 LETTER-INSERT FOR THE REVISION STATUS OF THE MOULD
Schriftsatz fuer Aenderungszustand des Werkzeuges
- 5 MATERIAL MARKING ACCORDING TO VDA 260
Werkstoffkennzeichnung nach VDA 260
- 6 BULK PACKAGING IN CORRUGATED BOX
Schuetttgut im Versandkarton
- 7 MOULD CAVITY MARKING
Nestmarkierung
- 8 TE LOGO
TE Logo
- 9 SUITABLE COUNTERPART SEE DRAWING: 1563878
Passendes Gegenlueck siehe Zeichnung: 1563878
- H1 10 CAVITIES MATED WITH TAB 1.6 x 0.6 MM (SWS)
SEE PRODUCT GROUP DRAWING
TE NO: 1355055
MAX. WIRE SIZE: 1.0mm² FLR

WIRE SIZE: 1.5mm² FLR PERMITTED ONLY IN
ASSOCIATION WITH
SINGLE WIRE SEALING PN 0-2287497-1
ALLOWED TEMPERATURE 120 DEGREE CELSIUS

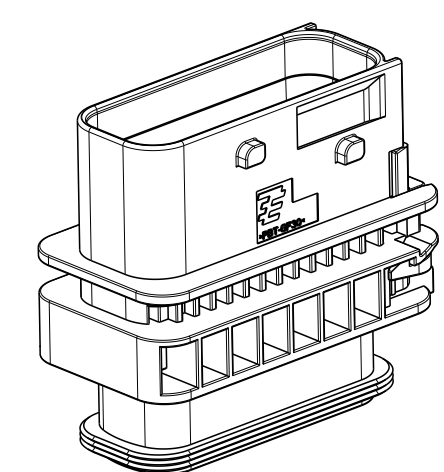
Kontaktkammer passend fuer Flachstecker 1.6x0.6 mm (EDS)
siehe Produktgruppenzeichnung
TE Nr: 1355055
max. Drahtgroessenbereich: 1.0mm² FLR

Es ist ein Drahtgroessenbereich von 1.5mm² FLR nur
in Verbindung
mit der Einzeilleitendichtung PN 0-2287497-1
bis zu 120°C zugelassen
- 11 CAVITIES MATED WITH TAB 2.8x 0.8 MM (SWS)
SEE PRODUCT GROUP DRAWING
TE NO: 1355052
MAX. WIRE SIZE: 2.5mm² FLR (AWG 12 TXL)

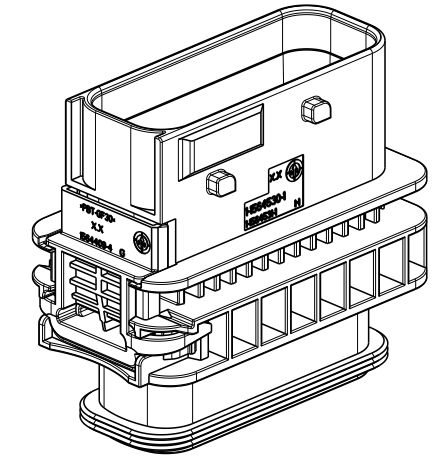
Kontaktkammer passend fuer Flachstecker 2.8 x 0.8 mm (EDS)
siehe Produktgruppenzeichnung
TE Nr: 1355052
max. Drahtgroessenbereich: 2.5mm² FLR (AWG 12 TXL)
- 12 INTERFACE ACC. DRAWING: 114-18799-1
Kragenanschluss nach Zeichnung: 114-18799-1
- 13 MATED WITH COVER SEE DRAWING: 1670865, 1670866
Passend zu Kappe siehe Zeichnung: 1670865, 1670866
- 14 SLIDING DISTANCE OF SECONDARY LOCKING
Verschiebeweg der zweiten Kontaktsicherung
- 15 MALFUNCTION CAUSED BY LAQUER IS NOT
COVERED BY TE WARRANTY
Funktionsbeeintraechtigung durch Lackieren. Liegt nicht
im Einfluss und Gewährleistungsumfang von TE



ITEM NO	DESCRIPTION	COLOUR	MATERIAL
1	15POS. TAB HOUSING, CODE "A" 15pos. Flachsteckergehäuse, Kod. "A"	BLACK schwarz	PBT-GF30 / V-0
2	15POS. TAB HOUSING, CODE "B" 15pos. Flachsteckergehäuse, Kod. "B"	GREY grau	PBT-GF30 / V-0
3	15POS. TAB HOUSING, CODE "C" 15pos. Flachsteckergehäuse, Kod. "C"	GREEN gruen	PBT-GF30 / V-0
4	15POS. TAB HOUSING, CODE "D" 15pos. Flachsteckergehäuse, Kod. "D"	BLUE blau	PBT-GF30 / V-0
5	SECONDARY LOCKING DEVICE zweite Kontaktsicherung	YELLOW gelb	PBT-GF30 / V-0
6	SEAL FOR SECONDARY LOCKING Dichtung fuer zweite Kontaktsicherung	WHITE weiss	MVO



SCALE 1:1
 Maßstab



SCALE 1:1
 Maßstab

TE ORDER-NO. TE Bestell-Nr.	REV.	NO. OF POS. Polzahl	CODE Kodierung	QUANTITY Stueck	ITEM NO NO ASSY
4-1564530-1	H	15	D	-	4
3-1564530-1	H	15	C	-	3
2-1564530-1	H	15	B	-	2
1-1564530-1	H	15	A	-	1

THIS DRAWING IS A CONTROLLED DOCUMENT. <small>DESER ZEICHNUNGSDOKUMENT WIRD DURCH AUF BEFOLGUNG VON ANFANG AN ALS EIN KONTROLLIERTES DOKUMENT BEHANDELT. ANFANGS WIRD DIESE ZEICHNUNG ALS UNKONTROLLIERTES DOKUMENT BEHANDELT. DIE ANWENDER MÜSSEN SICH AN DIESE VORSCHRIFTEN HALTEN.</small>		OWN Gajanan	DATE 19FEB2009	TE Connectivity
DIMENSIONS MASSENMESSUNGEN mm		CHK J.Grandzow	REV 20FEB2009	
TOLERANCES UNLESS OTHERWISE SPECIFIED: PLD ±0.10 PLD ±0.15 PLD ±0.20 PLD ±0.25 PLD ±0.30 PLD ±0.40 PLD ±0.50 PLD ±0.63 PLD ±0.80 PLD ±1.00 PLD ±1.25 PLD ±1.60 PLD ±2.00 PLD ±2.50 PLD ±3.15 PLD ±4.00 PLD ±5.00 PLD ±6.30 PLD ±8.00 PLD ±10.00 PLD ±12.50 PLD ±16.00 PLD ±20.00 PLD ±25.00 PLD ±31.50 PLD ±40.00 PLD ±50.00 PLD ±63.00 PLD ±80.00 PLD ±100.00 PLD ±125.00 PLD ±160.00 PLD ±200.00 PLD ±250.00 PLD ±315.00 PLD ±400.00 PLD ±500.00 PLD ±630.00 PLD ±800.00 PLD ±1000.00 PLD ±1250.00 PLD ±1600.00 PLD ±2000.00 PLD ±2500.00 PLD ±3150.00 PLD ±4000.00 PLD ±5000.00 PLD ±6300.00 PLD ±8000.00 PLD ±10000.00 PLD ±12500.00 PLD ±16000.00 PLD ±20000.00 PLD ±25000.00 PLD ±31500.00 PLD ±40000.00 PLD ±50000.00 PLD ±63000.00 PLD ±80000.00 PLD ±100000.00 PLD ±125000.00 PLD ±160000.00 PLD ±200000.00 PLD ±250000.00 PLD ±315000.00 PLD ±400000.00 PLD ±500000.00 PLD ±630000.00 PLD ±800000.00 PLD ±1000000.00 PLD ±1250000.00 PLD ±1600000.00 PLD ±2000000.00 PLD ±2500000.00 PLD ±3150000.00 PLD ±4000000.00 PLD ±5000000.00 PLD ±6300000.00 PLD ±8000000.00 PLD ±10000000.00 PLD ±12500000.00 PLD ±16000000.00 PLD ±20000000.00 PLD ±25000000.00 PLD ±31500000.00 PLD ±40000000.00 PLD ±50000000.00 PLD ±63000000.00 PLD ±80000000.00 PLD ±100000000.00 PLD ±125000000.00 PLD ±160000000.00 PLD ±200000000.00 PLD ±250000000.00 PLD ±315000000.00 PLD ±400000000.00 PLD ±500000000.00 PLD ±630000000.00 PLD ±800000000.00 PLD ±1000000000.00 PLD ±1250000000.00 PLD ±1600000000.00 PLD ±2000000000.00 PLD ±2500000000.00 PLD ±3150000000.00 PLD ±4000000000.00 PLD ±5000000000.00 PLD ±6300000000.00 PLD ±8000000000.00 PLD ±10000000000.00 PLD ±12500000000.00 PLD ±16000000000.00 PLD ±20000000000.00 PLD ±25000000000.00 PLD ±31500000000.00 PLD ±40000000000.00 PLD ±50000000000.00 PLD ±63000000000.00 PLD ±80000000000.00 PLD ±100000000000.00 PLD ±125000000000.00 PLD ±160000000000.00 PLD ±200000000000.00 PLD ±250000000000.00 PLD ±315000000000.00 PLD ±400000000000.00 PLD ±500000000000.00 PLD ±630000000000.00 PLD ±800000000000.00 PLD ±1000000000000.00 PLD ±1250000000000.00 PLD ±1600000000000.00 PLD ±2000000000000.00 PLD ±2500000000000.00 PLD ±3150000000000.00 PLD ±4000000000000.00 PLD ±5000000000000.00 PLD ±6300000000000.00 PLD ±8000000000000.00 PLD ±10000000000000.00 PLD ±12500000000000.00 PLD ±16000000000000.00 PLD ±20000000000000.00 PLD ±25000000000000.00 PLD ±31500000000000.00 PLD ±40000000000000.00 PLD ±50000000000000.00 PLD ±63000000000000.00 PLD ±80000000000000.00 PLD ±100000000000000.00 PLD ±125000000000000.00 PLD ±160000000000000.00 PLD ±200000000000000.00 PLD ±250000000000000.00 PLD ±315000000000000.00 PLD ±400000000000000.00 PLD ±500000000000000.00 PLD ±630000000000000.00 PLD ±800000000000000.00 PLD ±1000000000000000.00 PLD ±1250000000000000.00 PLD ±1600000000000000.00 PLD ±2000000000000000.00 PLD ±2500000000000000.00 PLD ±3150000000000000.00 PLD ±4000000000000000.00 PLD ±5000000000000000.00 PLD ±6300000000000000.00 PLD ±8000000000000000.00 PLD ±10000000000000000.00 PLD ±12500000000000000.00 PLD ±16000000000000000.00 PLD ±20000000000000000.00 PLD ±25000000000000000.00 PLD ±31500000000000000.00 PLD ±40000000000000000.00 PLD ±50000000000000000.00 PLD ±63000000000000000.00 PLD ±80000000000000000.00 PLD ±100000000000000000.00 PLD ±125000000000000000.00 PLD ±160000000000000000.00 PLD ±200000000000000000.00 PLD ±250000000000000000.00 PLD ±315000000000000000.00 PLD ±400000000000000000.00 PLD ±500000000000000000.00 PLD ±630000000000000000.00 PLD ±800000000000000000.00 PLD ±1000000000000000000.00 PLD ±1250000000000000000.00 PLD ±1600000000000000000.00 PLD ±2000000000000000000.00 PLD ±2500000000000000000.00 PLD ±3150000000000000000.00 PLD ±4000000000000000000.00 PLD ±5000000000000000000.00 PLD ±6300000000000000000.00 PLD ±8000000000000000000.00 PLD ±10000000000000000000.00 PLD ±12500000000000000000.00 PLD ±16000000000000000000.00 PLD ±20000000000000000000.00 PLD ±25000000000000000000.00 PLD ±31500000000000000000.00 PLD ±40000000000000000000.00 PLD ±50000000000000000000.00 PLD ±63000000000000000000.00 PLD ±80000000000000000000.00 PLD ±100000000000000000000.00 PLD ±125000000000000000000.00 PLD ±160000000000000000000.00 PLD ±200000000000000000000.00 PLD ±250000000000000000000.00 PLD ±315000000000000000000.00 PLD ±400000000000000000000.00 PLD ±500000000000000000000.00 PLD ±630000000000000000000.00 PLD ±800000000000000000000.00 PLD ±1000000000000000000000.00 PLD ±1250000000000000000000.00 PLD ±1600000000000000000000.00 PLD ±2000000000000000000000.00 PLD ±2500000000000000000000.00 PLD ±3150000000000000000000.00 PLD ±4000000000000000000000.00 PLD ±5000000000000000000000.00 PLD ±6300000000000000000000.00 PLD ±8000000000000000000000.00 PLD ±10000000000000000000000.00 PLD ±12500000000000000000000.00 PLD ±16000000000000000000000.00 PLD ±20000000000000000000000.00 PLD ±25000000000000000000000.00 PLD ±31500000000000000000000.00 PLD ±40000000000000000000000.00 PLD ±50000000000000000000000.00 PLD ±63000000000000000000000.00 PLD ±80000000000000000000000.00 PLD ±100000000000000000000000.00 PLD ±125000000000000000000000.00 PLD ±160000000000000000000000.00 PLD ±200000000000000000000000.00 PLD ±250000000000000000000000.00 PLD ±315000000000000000000000.00 PLD ±400000000000000000000000.00 PLD ±500000000000000000000000.00 PLD ±630000000000000000000000.00 PLD ±800000000000000000000000.00 PLD ±1000000000000000000000000.00 PLD ±1250000000000000000000000.00 PLD ±1600000000000000000000000.00 PLD ±2000000000000000000000000.00 PLD ±2500000000000000000000000.00 PLD ±3150000000000000000000000.00 PLD ±4000000000000000000000000.00 PLD ±5000000000000000000000000.00 PLD ±6300000000000000000000000.00 PLD ±8000000000000000000000000.00 PLD ±10000000000000000000000000.00 PLD ±12500000000000000000000000.00 PLD ±16000000000000000000000000.00 PLD ±20000000000000000000000000.00 PLD ±25000000000000000000000000.00 PLD ±31500000000000000000000000.00 PLD ±40000000000000000000000000.00 PLD ±50000000000000000000000000.00 PLD ±63000000000000000000000000.00 PLD ±80000000000000000000000000.00 PLD ±100000000000000000000000000.00 PLD ±125000000000000000000000000.00 PLD ±160000000000000000000000000.00 PLD ±200000000000000000000000000.00 PLD ±250000000000000000000000000.00 PLD ±315000000000000000000000000.00 PLD ±400000000000000000000000000.00 PLD ±500000000000000000000000000.00 PLD ±630000000000000000000000000.00 PLD ±800000000000000000000000000.00 PLD ±1000000000000000000000000000.00 PLD ±1250000000000000000000000000.00 PLD ±1600000000000000000000000000.00 PLD ±2000000000000000000000000000.00 PLD ±2500000000000000000000000000.00 PLD ±3150000000000000000000000000.00 PLD ±4000000000000000000000000000.00 PLD ±5000000000000000000000000000.00 PLD ±6300000000000000000000000000.00 PLD ±8000000000000000000000000000.00 PLD ±10000000000000000000000000000.00 PLD ±12500000000000000000000000000.00 PLD ±16000000000000000000000000000.00 PLD ±20000000000000000000000000000.00 PLD ±25000000000000000000000000000.00 PLD ±31500000000000000000000000000.00 PLD ±40000000000000000000000000000.00 PLD ±50000000000000000000000000000.00 PLD ±63000000000000000000000000000.00 PLD ±80000000000000000000000000000.00 PLD ±100000000000000000000000000000.00 PLD ±125000000000000000000000000000.00 PLD ±160000000000000000000000000000.00 PLD ±200000000000000000000000000000.00 PLD ±250000000000000000000000000000.00 PLD ±315000000000000000000000000000.00 PLD ±400000000000000000000000000000.00 PLD ±500000000000000000000000000000.00 PLD ±630000000000000000000000000000.00 PLD ±800000000000000000000000000000.00 PLD ±1000000000000000000000000000000.00 PLD ±1250000000000000000000000000000.00 PLD ±1600000000000000000000000000000.00 PLD ±2000000000000000000000000000000.00 PLD ±2500000000000000000000000000000.00 PLD ±3150000000000000000000000000000.00 PLD ±4000000000000000000000000000000.00 PLD ±5000000000000000000000000000000.00 PLD ±6300000000000000000000000000000.00 PLD ±8000000000000000000000000000000.00 PLD ±10000000000000000000000000000000.00 PLD ±12500000000000000000000000000000.00 PLD ±16000000000000000000000000000000.00 PLD ±20000000000000000000000000000000.00 PLD ±25000000000000000000000000000000.00 PLD ±31500000000000000000000000000000.00 PLD ±40000000000000000000000000000000.00				