

# INTEGRATED CONNECTOR MODULES

## 10/100Base-TX MagJack® 2 x 6

0811-2X6R-28

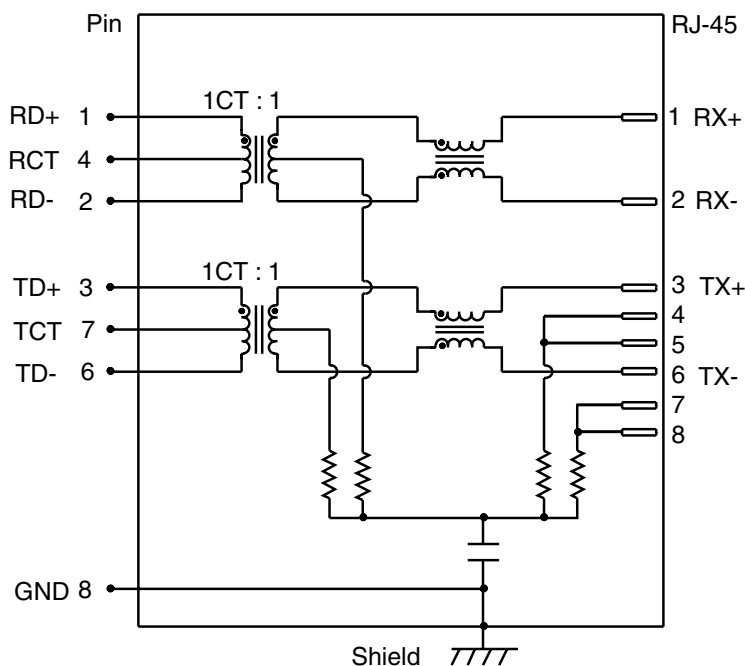
- 12-port shielded RJ-45 connector with integrated 10/100 magnetics
- Design supports AutoMDIX applications
- Compatible with a variety of 10/100 transceiver ICs
- Operating temperature 0° to +70° C
- Storage temperature -40° to +85° C
- Complies with IEEE standards and all 10/100 Ethernet specifications including 350µH with 8mA DC bias
- Highly integrated design conserves valuable board space
- Minimum interwinding breakdown voltage of 1500 Vrms
- Adaptable, modular design provides higher reliability

### ELECTRICAL SPECIFICATIONS AT 25° C

Insertion Loss dB max	Return Loss dB min			Common to Differential Mode Rejection dB min	Common to Common Mode Rejection dB min	Crosstalk dB min
	100kHz to 100MHz	1MHz to 30MHz	30MHz to 60MHz			
-1.1	-18	18 - 20 log (f/30MHz)	-12	-40	-30	-35

### SCHEMATIC

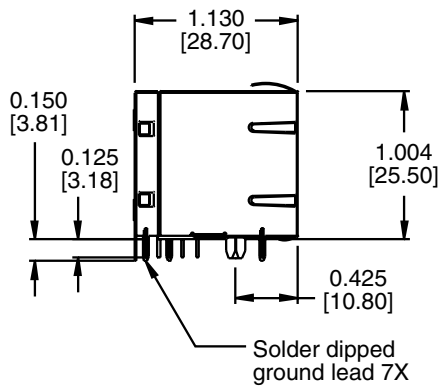
0811-2X6R-28



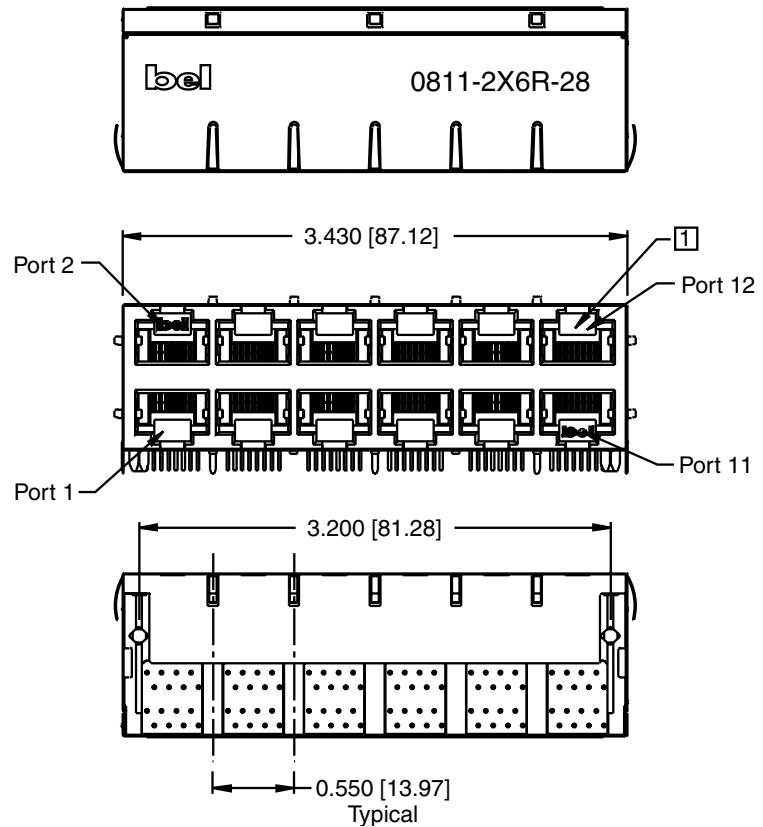
0811-2X6R-28

### MECHANICAL

0811-2X6R-28



Dimensions are in inches [millimeters].  
Standard dimension tolerance is  $\pm 0.010$  [0.25]  
unless otherwise noted.



### Notes

Plastic Housing	Thermoplastic, flammability rating UL 94V-0
Contacts	50 micro-inch hard gold plating
Pins	Tin-coated copper wire, DIA 0.018" [0.46]
Solderability	Per MIL Std. 202, Method 208
Metal Shield	Nickel plated copper alloy (all ground leads are solder dipped)

1. Jack cavity conforms to FCC rules and regulations, part 68, subpart F.

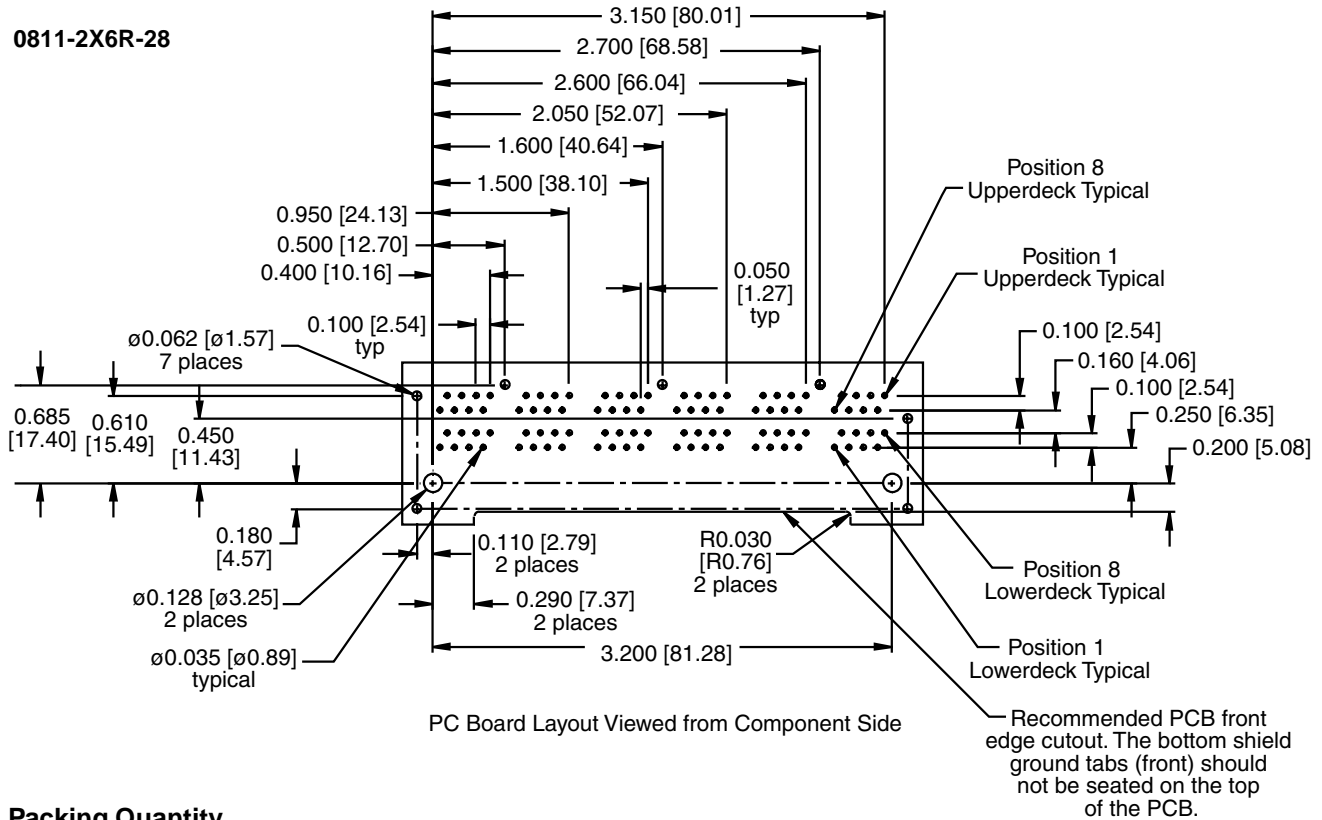
# INTEGRATED CONNECTOR MODULES

## 10/100Base-TX MagJack® 2 x 6

0811-2X6R-28

### PAD LAYOUT

0811-2X6R-28

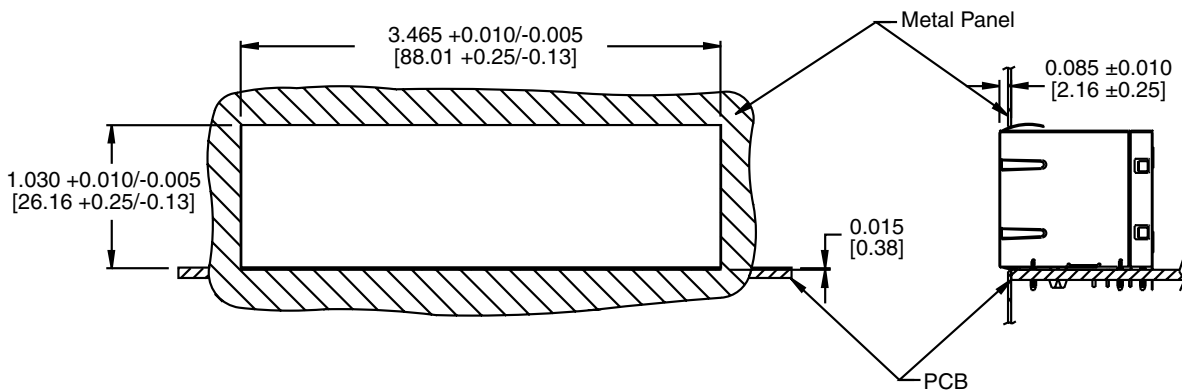


PC Board Layout Viewed from Component Side

### Packing Quantity

15 pieces finished goods per tray  
 7 trays per carton box for a total of  
 105 pieces of finished goods

### Suggested Panel Opening



©2004 Bel Fuse Inc. Specifications subject to change without notice. 03.04

#### CORPORATE

**Bel Fuse Inc.**  
 206 Van Vorst Street  
 Jersey City, NJ 07302  
 Tel 201-432-0463  
 Fax 201-432-9542  
 www.belfuse.com

#### FAR EAST

**Bel Fuse Ltd.**  
 8F / 8 Luk Hop Street  
 San Po Kong  
 Kowloon, Hong Kong  
 Tel 852-2328-5515  
 Fax 852-2352-3706  
 www.belfuse.com

#### EUROPE

**Bel Fuse Europe Ltd.**  
 Preston Technology Management Centre  
 Marsh Lane, Suite G7, Preston  
 Lancashire, PR1 8UD, U.K.  
 Tel 44-1772-556601  
 Fax 44-1772-888366  
 www.belfuse.com