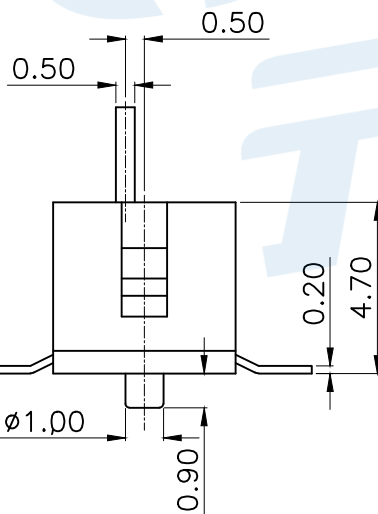
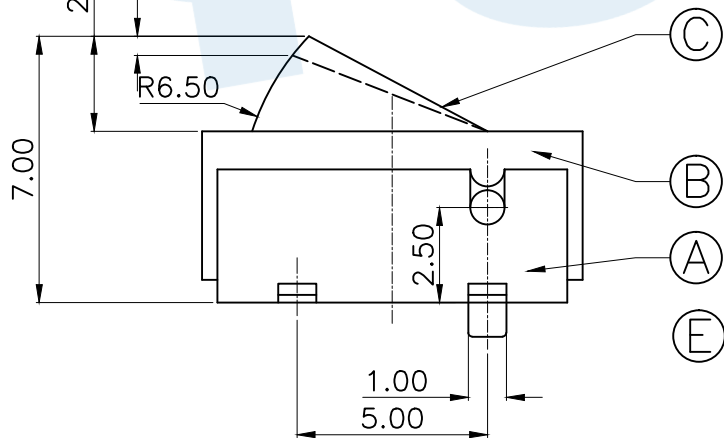
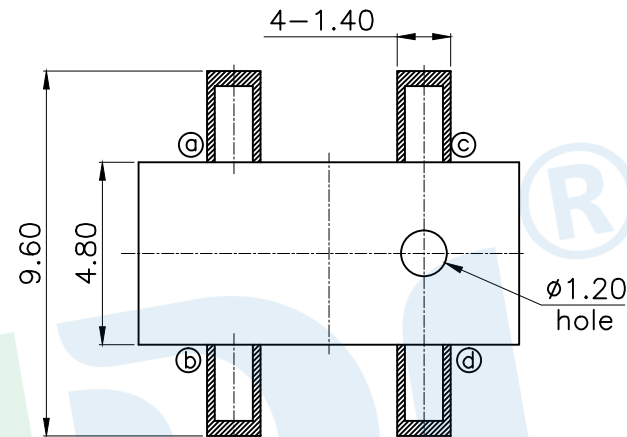
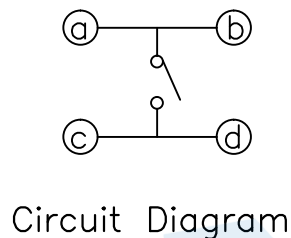
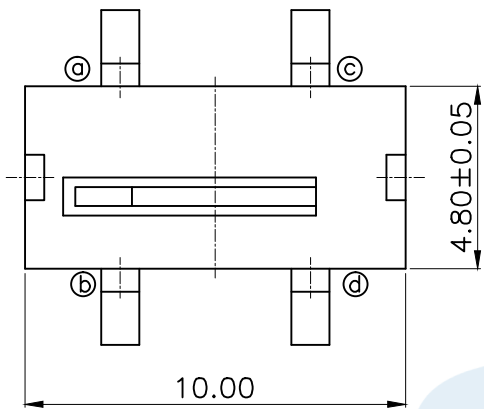


RoHS



CODE	
TQ-2534S	TQ-2534S-1

Technical Parameters

- 1.Rated current: DC 30V 0.1A
- 2.Operating force:30±10gf
- 3.Mechanical life: 100,000 times

NO.	Name	Number	Qty	Materil	Remarks
⑤	Terminal		4	Brass	Silvering
④	Contact spring		1	Phosphor bronze	Silvering
③	Button		1	LCP	White/Black
②	Cover		1	PPA	Black
①	Base		1	LCP	Black

**YUANDI®** Yuandi Electronics Co, Ltd

design	date	name	DETECTION SWITCH
Review	date	model	TQ-2534S
Approved	date		

Drawing number: Proportion 1:1 unit mm gage number A4

modify Review Approved Tolerance not specified

angle	±2'
10~30	±0.30
5~10	±0.20
~ 5	±0.10