

DC COOLING FAN

92x92x25mm

- Voltage: 12 & 24 VDC
- Bearing options: Ball, Sleeve or Oil Bearing
- Material on housing: Plastic Housing to UL94V-0
- Airflow range: 37.9 - 60 CFM
- Suitable for PSU, Racks and Test instruments



SPECIFICATION

Part No.	Bearing	Voltage(V)	Current(A)	Power (W)	Speed(RPM)	Air flow(CFM)	Pressure(mmAq)	Noise(dB/A)	Weight(g)
DBF9225x12U	Oil, Sleeve	12	0.39	4.68	3200	57.8	3.96	38.6	103
DBF9225B12U	Ball	12	0.39	4.68	3300	60.0	4.15	39.4	103
DBF9225x12H	Oil, Sleeve	12	0.25	3.00	2700	50.0	2.93	33.7	103
DBF9225B12H	Ball	12	0.25	3.00	2900	52.5	3.32	35.0	103
DBF9225x12M	Oil, Sleeve	12	0.17	2.04	2400	43.5	2.34	31.3	103
DBF9295B12M	Ball	12	0.17	2.04	2600	47.2	2.69	32.7	103
DBF9225x12L	Oil, Sleeve	12	0.12	1.44	2100	37.9	1.87	26.5	103
DBF9225B12L	Ball	12	0.12	1.44	2300	41.6	2.18	29.8	103
DBF9225x24U	Oil, Sleeve	24	0.21	5.04	3200	57.8	3.96	38.6	103
DBF9225B24U	Ball	24	0.21	5.04	3300	60.0	4.15	39.4	103
DBF9225x24H	Oil, Sleeve	24	0.15	3.60	2700	50.0	2.93	33.7	103
DBF9225B24H	Ball	24	0.15	3.60	2900	52.5	3.32	35.0	103
DBF9225x24M	Oil, Sleeve	24	0.12	2.88	2400	43.5	2.34	31.3	103
DBF9225B24M	Ball	24	0.12	2.88	2600	47.2	2.69	32.7	103
DBF9225x24L	Oil, Sleeve	24	0.08	1.92	2100	37.9	1.87	26.5	103
DBF9225B24L	Ball	24	0.08	1.92	2300	41.6	2.18	29.8	103

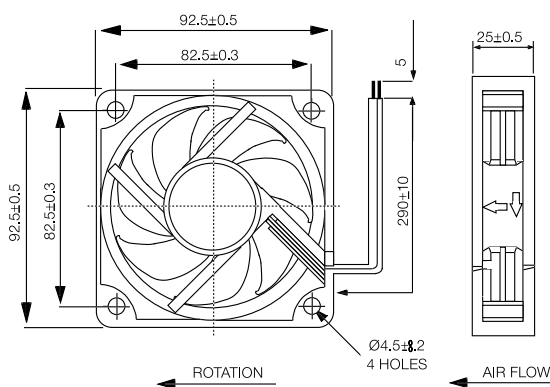
Impeller: Plastic (UL;94V-0)

Lead Wire: UL1007 AWG24

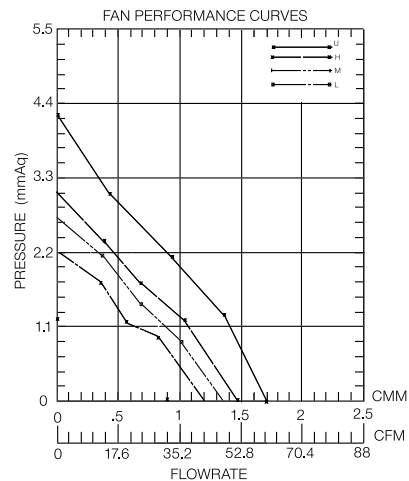
Protection: Current Limit

Operating Temp:-10° to 70° C

EXTERNAL DIMENSIONS



PERFORMANCE CURVE



ORDERING INFORMATION

DBF	9225	B	12	H	
Dubilier Fans	Size 92x92x25mm	Bearing B=Ball S=Sleeve G=Oil	Voltage 12=12vdc 24=24vdc	Airflow U=Ultra High H=High M=Medium L=Low	Options Blank=Standard A=Alarm Lead S=Speed Sensor T=Twin Speed Other options available