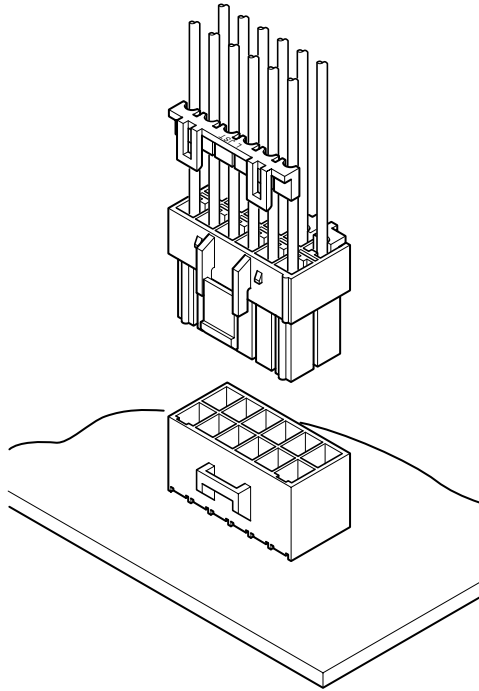


HL CONNECTOR

3.96mm pitch Disconnectable Crimp style connectors



- **Housing lances for contact retention**
- **Inner-housing lock**
- **Secondary retainer**
- **Low insertion force contact**

Specifications

- Current rating: 7A AC, DC (Refer to the table below.)
- Voltage rating: 300V AC, DC
- Temperature range: -25°C to +90°C
(including temperature rise in applying electrical current)
- Contact resistance: Initial value/7m Ω max.
After environmental testing/10m Ω max.
- Insulation resistance: 1,000M Ω min.
- Withstanding voltage: 1,500V AC/minute
- Applicable wire: AWG #22 to #18
- Applicable PC board thickness: 1.5 to 2.2mm

Note:

The current rating differs depending on the number of circuits and the wire size used in each connector. The table below lists the current rating as a function of the number of circuits and the wire size.

Current unit:A

Circuits	Wire size(AWG)		
	#18	#20	#22
4	7	5	4
8	6	4	3
12	5	3	3

Note:

Do not branch in parallel current which exceeds the rated current (eg. more than 7A in the case of 4 circuits with AWG #18). If branched in parallel, current imbalance or other problems may develop.

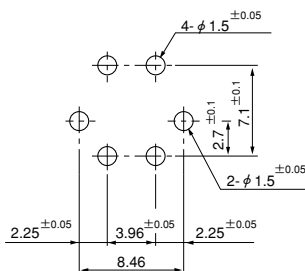
- * Compliant with RoHS.
- * Refer to "General Instruction and Notice when using Terminals and Connectors" at the end of this catalog.
- * Contact JST for details.

Standards

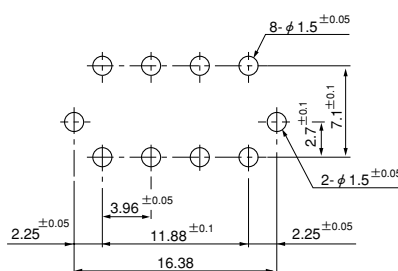
- Ⓜ Recognized E60389
- Ⓢ Certified LR20812
- ⚠ R50171609

PC board layout (viewed from component side)

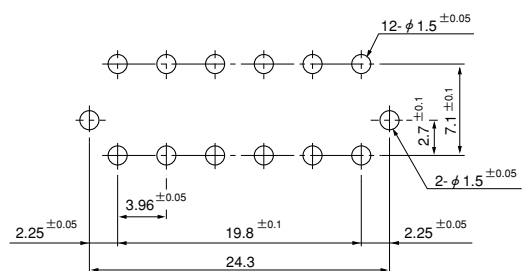
(4 circuits)



(8 circuits)



(12 circuits)

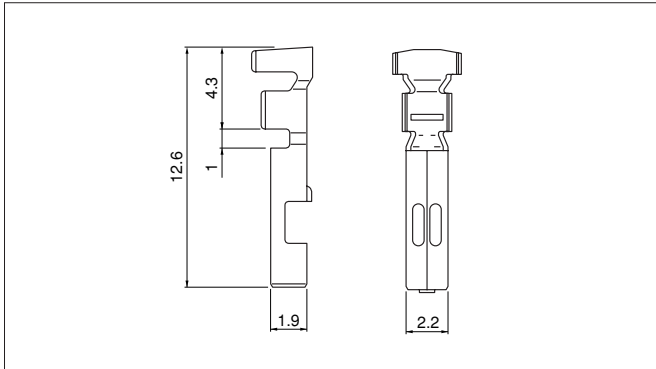


Note: 1. Tolerances are non-cumulative: ±0.05mm for all centers.

2. Hole dimensions differ according to the kind of PC board and piercing method. The dimensions above should serve as a guideline. Contact JST for details.

HL CONNECTOR

Contact



Model No.	Applicable wire		Insulation O.D. (mm)	Q'ty / reel
	mm ²	AWG #		
SSF-21T-P1.4	0.3~0.75	22~18	1.5~2.2	6,000

Material and Finish

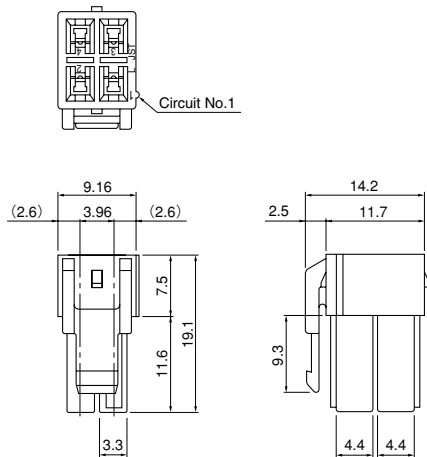
Phosphor bronze, tin-plated (reflow treatment)

RoHS compliance

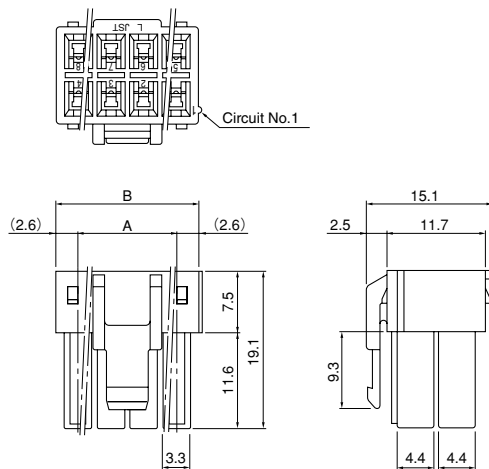
Contact	Crimping machine	Applicator		
		Crimp applicator	Dies	Crimp applicator with dies
SSF-21T-P1.4	AP-K2N	MKS-L	MK/SSF/M-21-14	APLMK SSF/M21-14
		—	—	—

Housing

(4 circuits)



(8, 12 circuits)



Circuits	Model No.	Dimensions (mm)		Q'ty / bag
		A	B	
4	HLP-04V	—	—	500
8	HLP-08V	11.88	17.08	500
12	HLP-12V	19.8	25.0	500

Material

PA 66, UL94V-0, natural (white)

RoHS compliance

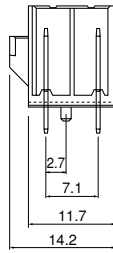
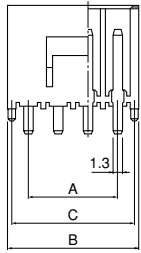
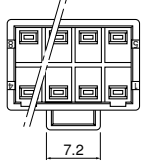
<For reference> As the color identification, the following alphabet shall be put in the underlined part. For availability, delivery and minimum order quantity, contact JST.

ex. **HLP-04V-oo**
 (blank)...natural (white)
 E...blue

HL CONNECTOR

Locking header

(4 to 12 circuits)



Circuits	Model No.	Dimensions (mm)			Q'ty / box
		A	B	C	
4	B04P-HL-A	3.96	9.56	8.46	200
8	B08P-HL-A	11.88	17.48	16.38	100
12	B12P-HL-A	19.80	25.40	24.30	50

Material and Finish

Post: Brass, copper-undercoated, tin-plated (reflow treatment)
Wafer: PA 66, UL94V-0, natural (white)

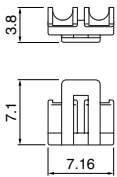
RoHS compliance This product displays (LF)(SN) on a label.

<For reference> As the color identification, the following alphabet shall be put in the underlined part. For availability, delivery and minimum order quantity, contact JST.

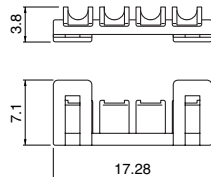
ex. **B04P-HL-A-oo**
(blank)...natural (white)
E...blue

Retainer

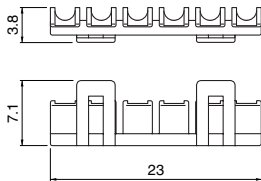
HLS-02V



HLS-08V



HLS-12V



Applicable Housing Model No.	Retainer Model No.	Q'ty / bag
HLP-04V	HLS-02V	1,000
HLP-08V	HLS-08V	1,000
HLP-12V	HLS-12V	1,000

Material

Glass-filled PA 66, UL94V-0, natural (ivory)

RoHS compliance

Contact position location numbers

