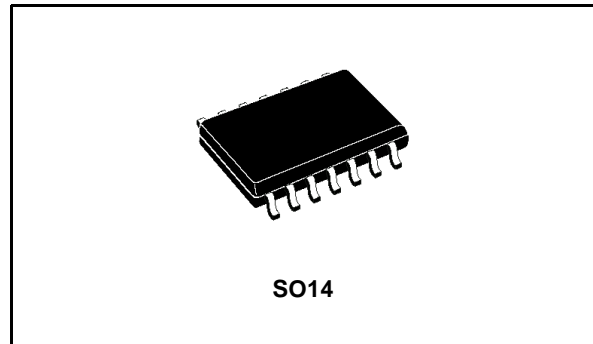


### Features

- Supply Voltage +4 to +36V
- Supply Current < 1.2mA
- Loss Resistance 5 to 50kΩ
- Oscillator Frequency < 1MHz
- Output Transistors  $I = 20\text{mA}$ ,  $V_{CE(sat)} \leq 1.1\text{V}$

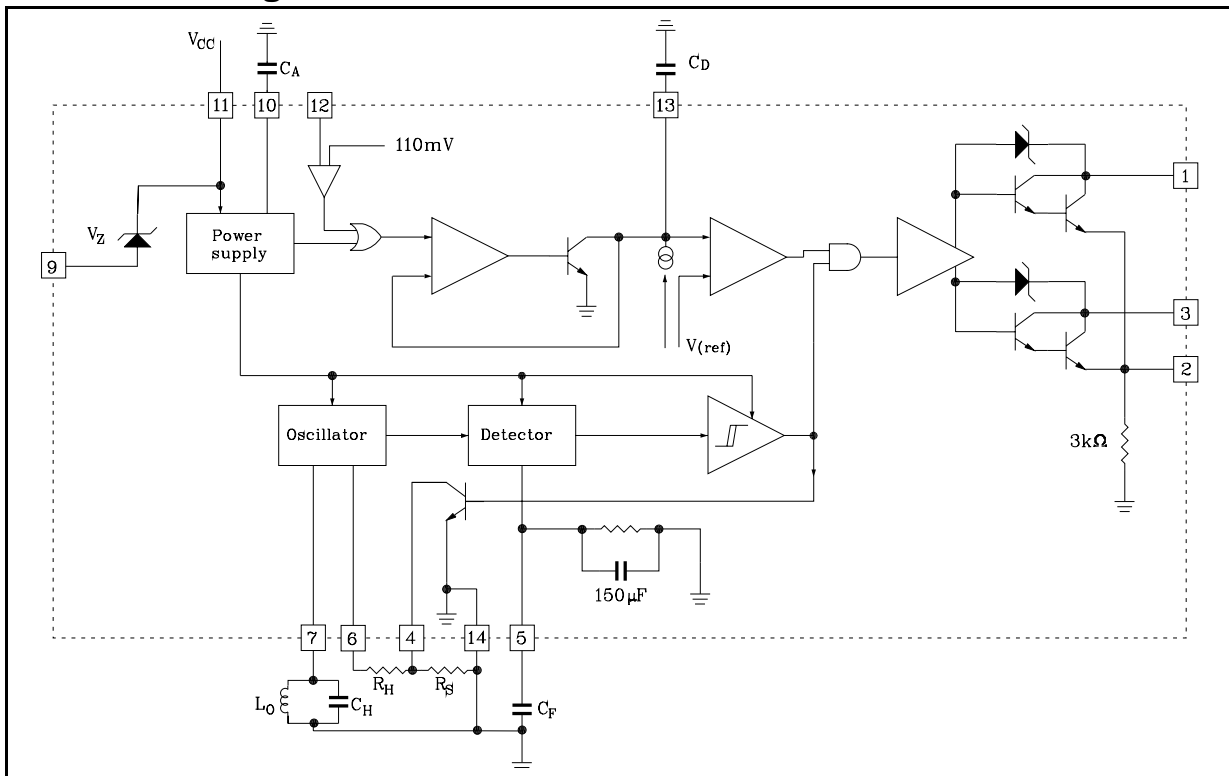


### Description

The TDE0160 is designed to detect metal bodies by the effect of Eddy currents on the HF losses of a coil. It has two complementary open collector outputs with peak limiting. Hysteresis is adjustable, and an electronic switching circuit is incorporated for disabling both outputs.

An internal zener diode maintains the supply voltage to the circuit in “dipole” operation.

### Schematic Diagram



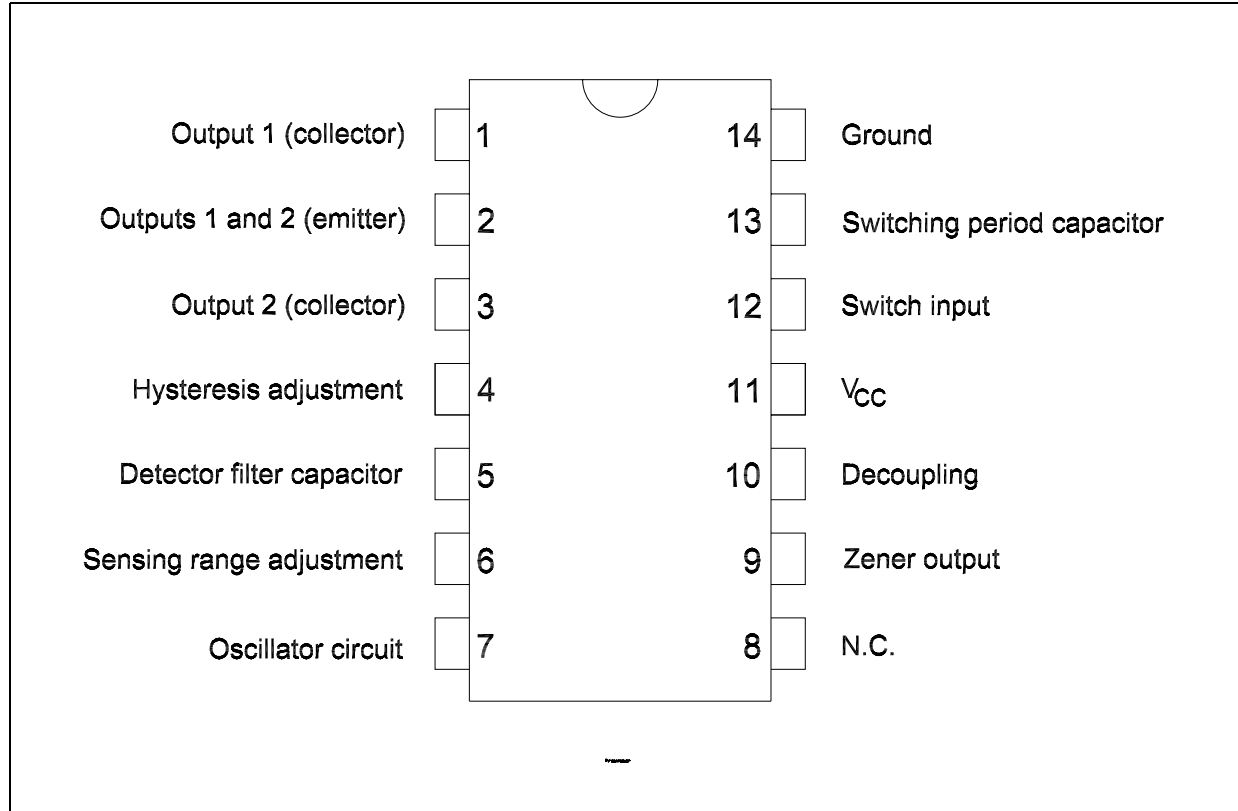
---

## Contents

<b>1</b>	<b>Internal schematic diagram</b> .....	<b>3</b>
<b>2</b>	<b>Electrical ratings</b> .....	<b>4</b>
	2.1 Electrical characteristics .....	4
<b>3</b>	<b>Operating Mode</b> .....	<b>5</b>
<b>4</b>	<b>Typical Applications</b> .....	<b>8</b>
<b>5</b>	<b>Package Mechanical Data</b> .....	<b>12</b>
<b>6</b>	<b>Revision history</b> .....	<b>15</b>

# 1 Internal schematic diagram

Figure 1. Pin connection diagram (top view)



## 2 Electrical ratings

**Table 1. Absolute maximum ratings**

Symbol	Parameter	Value	Unit
$V_{CC}$	Supply Voltage	36	V
$V_O$	Output Voltage <sup>(1)</sup>	36	V
$I_O (I_1 - I_3)$	Output Current ( $I_1 - I_3$ )	40	mA
$I_Z$	Zener Current	40	mA
$T_J$	Junction Temperature	+150	°C
$T_{oper}$	Ambient Temperature Range	-25 to 85	°C
$T_{stg}$	Storage Temperature Range	-65 to 150	°C

1. Internal peak limiting to protect against transient voltage surges.

### 2.1 Electrical characteristics

$T_{amb} = +25^{\circ}\text{C}$ , unless otherwise specified.

**Table 2. Electrical Characteristics**

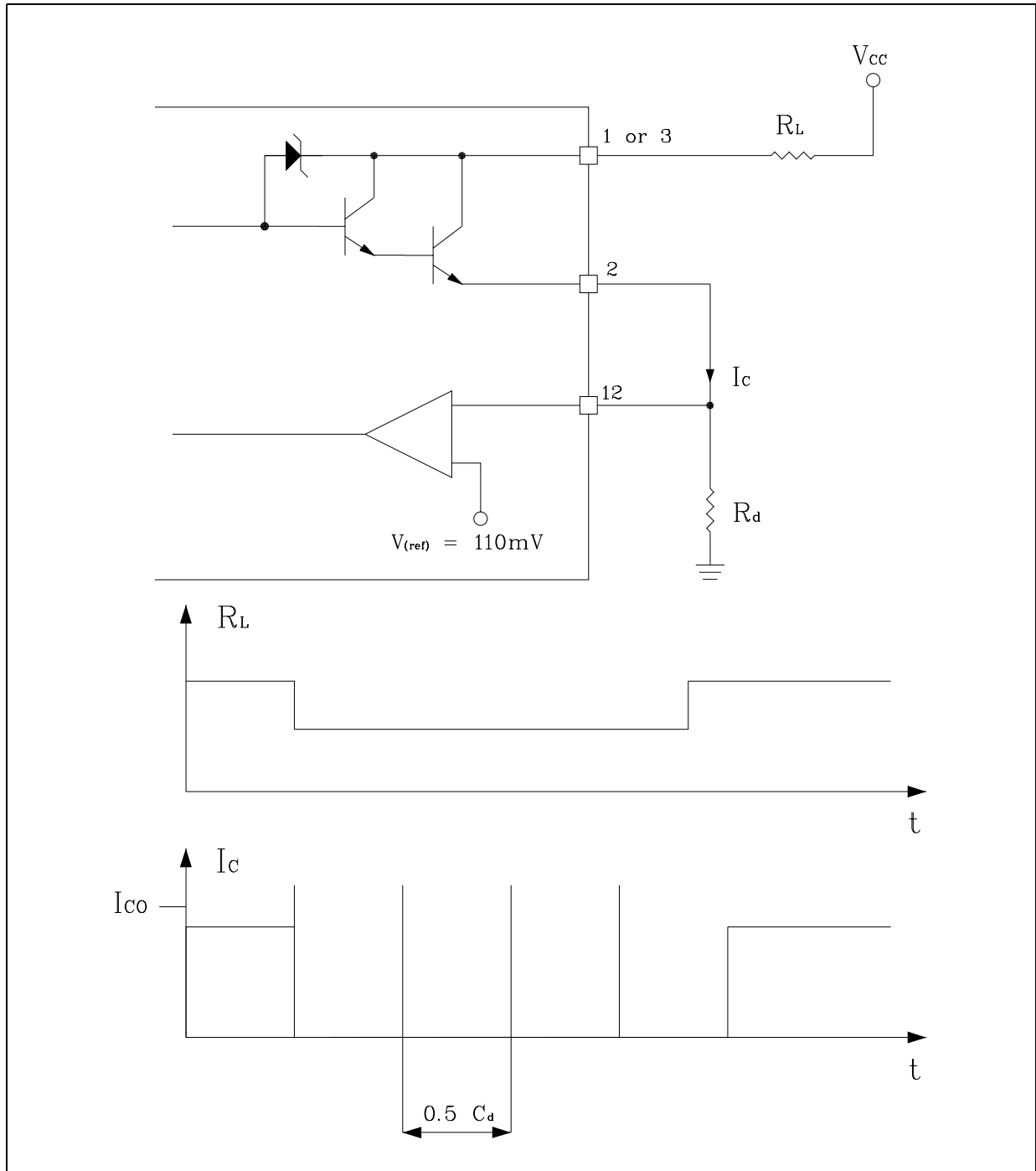
Symbol	Parameter	Test conditions	Pin	Min.	Typ.	Max.	Unit
$V_{CC}$	Supply Voltage		11	4		36	V
$V_Z$	Zener Voltage	$I_Z = 20\text{mA}$	9 - 11	3		4	V
$I_{CC}$	Supply Current		11			1.2	mA
$V_{LIM}$	Limiting	$I = 0.1\text{mA}$	1 or 3		42		V
$V_{SAT}$	Output Transistor Saturation Voltage	$I_1$ or $I_3 = +20\text{mA}$	1 or 3		0.9	1.1	V
$I_{LEAK}$	Output Transistor Leakage Current	$V = +30\text{V}$	1 or 3			2	$\mu\text{A}$
$V_{TH}$	Switching Threshold		12	90	110	130	mV
$R_n$	Negative Resistance <sup>(2)</sup>	$5\text{k}\Omega < R_H < 50\text{k}\Omega$ , $f = 100\text{kHz}$ , $R_S = 0$			$R_n = R_H$		
HYST	Inherent Hysteresis	$R_2 = 0$			1	2	%
$P_{HYST}$	Programmed Hysteresis	$H < 15\%$			$\frac{R_s}{R_s + R_H}$		%
$f_{OSC}$	Oscillation Frequency					1	MHz
$F_{SW}$	Switching Frequency	(with matched oscillator circuit)		750			Hz
$T_D$	Switching Time-delay			$0.5C_d$ ( $\mu\text{F}$ )			s
$T_{RE}$	Switching Response Time	$C_d = 10\text{nF}$ , $V_{CC} = +20\text{V}$			10		$\mu\text{s}$

Note: 2. See Characteristics Curves

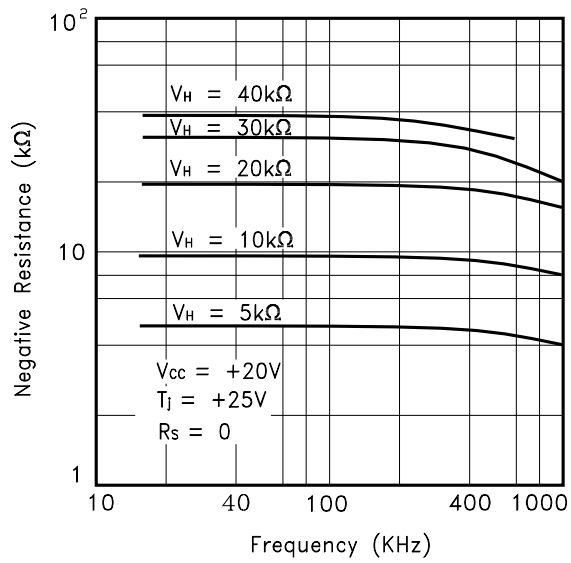
### 3 Operating Mode

If  $I_C$  exceeds  $I_{CO} = V_{(ref)} / R_d$  the switch cuts off the output transistor and tests the value of current  $I_C$ , with time constant  $0.5C_d$ . On power up the internal start system cuts off the output transistors until  $V_{CC}$  reaches a value permitting normal operation of the circuit.

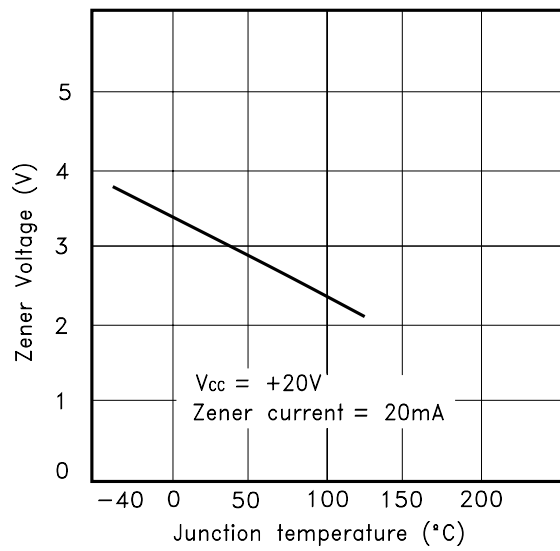
Figure 2. Switching Operation



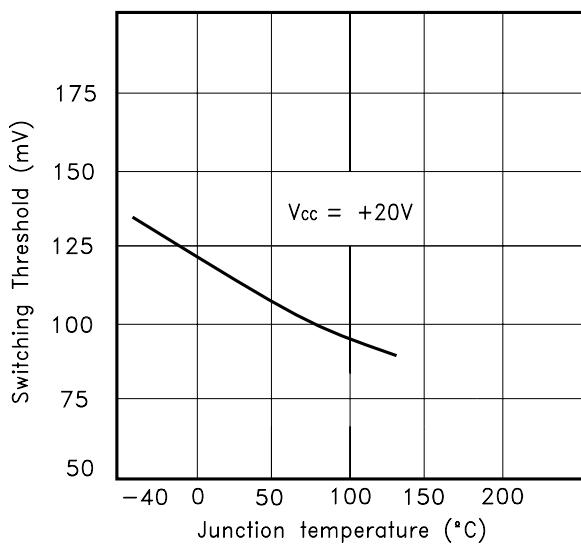
**Figure 3. Negative resistance vs Frequency**



**Figure 4. Zener voltage vs Junction Temp.**



**Figure 5. Switching threshold vs Junction temperature**



**Figure 6. Negative resistance vs Junction temperature**

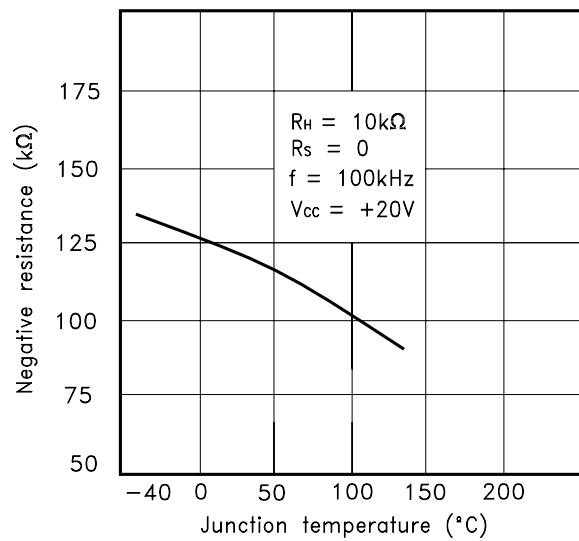


Figure 7. Loss resistance vs Detection Range

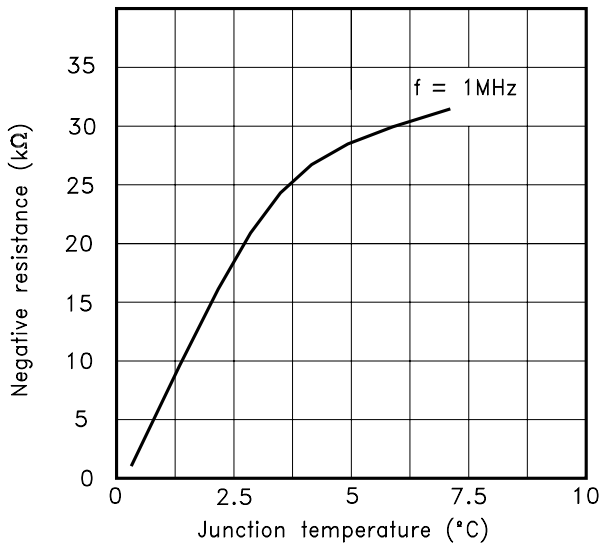
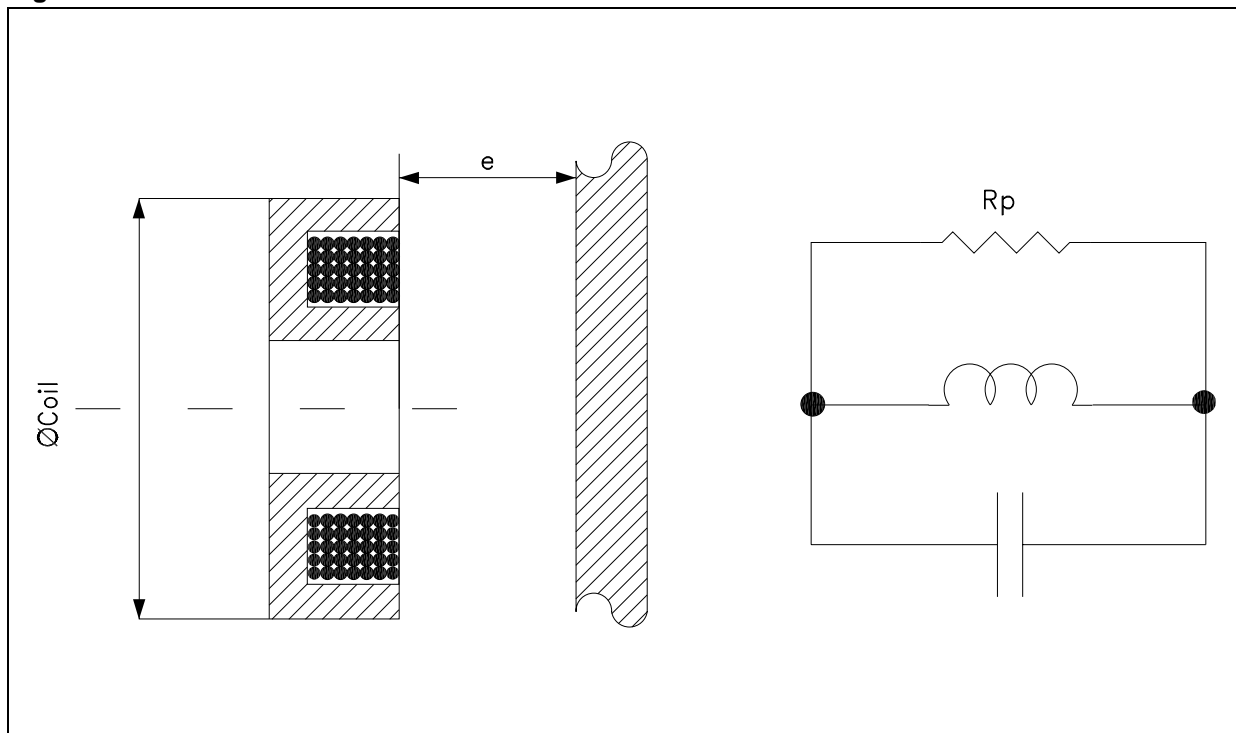


Figure 8. MILD Steel



## 4 Typical Applications

**Table 3. Component Values (see figures 9, 10, 11)**

Symbol	Value	Unit
$C_A$	10	nF
$C_f$	1	nF
$C_d$	10	nF
$C_O$	390	pF
$L_O$	65 $\mu$ H to 1MHz	
$R_d$	10	k $\Omega$
$R_H$	15	k $\Omega$
$R_S$	3	k $\Omega$
$R_L$	2.5	k $\Omega$
$V_{CC}$	20	V
$f_O$	~1	MHz
$e_{mean}$	2.5	mm
$\Phi$ coil	14	mm
Core COFELEC	432FP	
Straded wire	15 x 5/100	

Figure 9. Application Scheme (A)

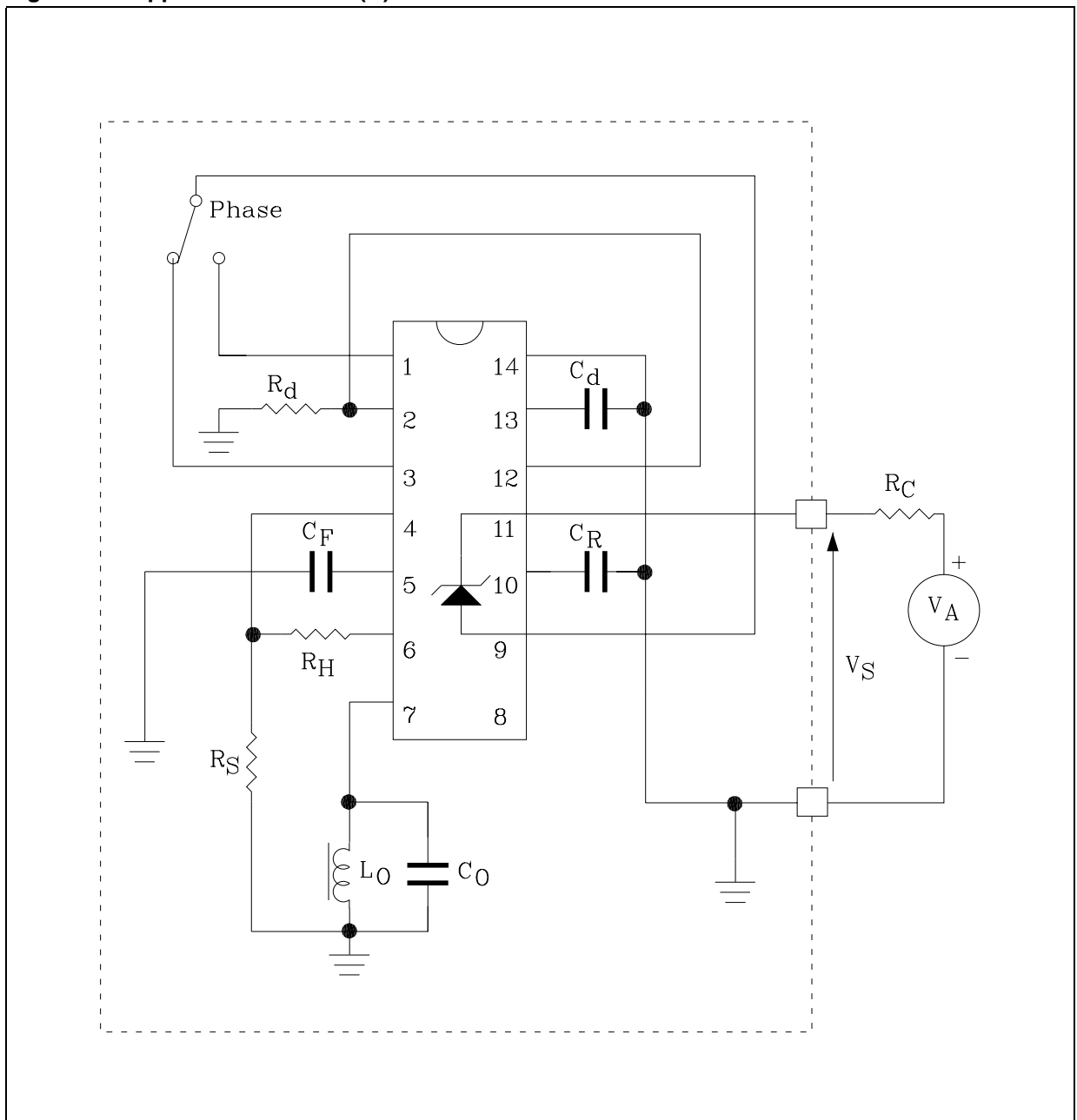


Figure 10. Application Scheme (B)

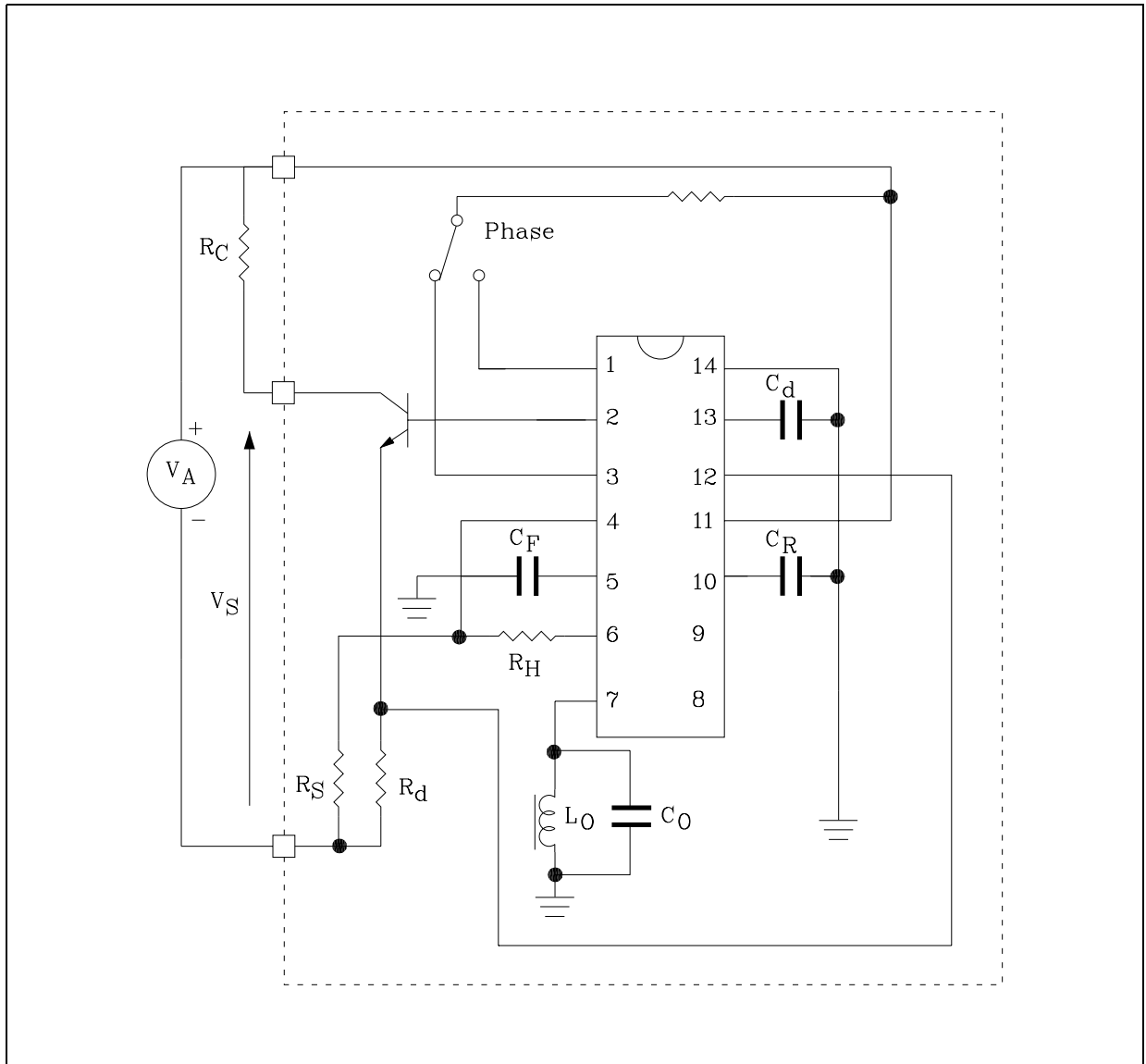
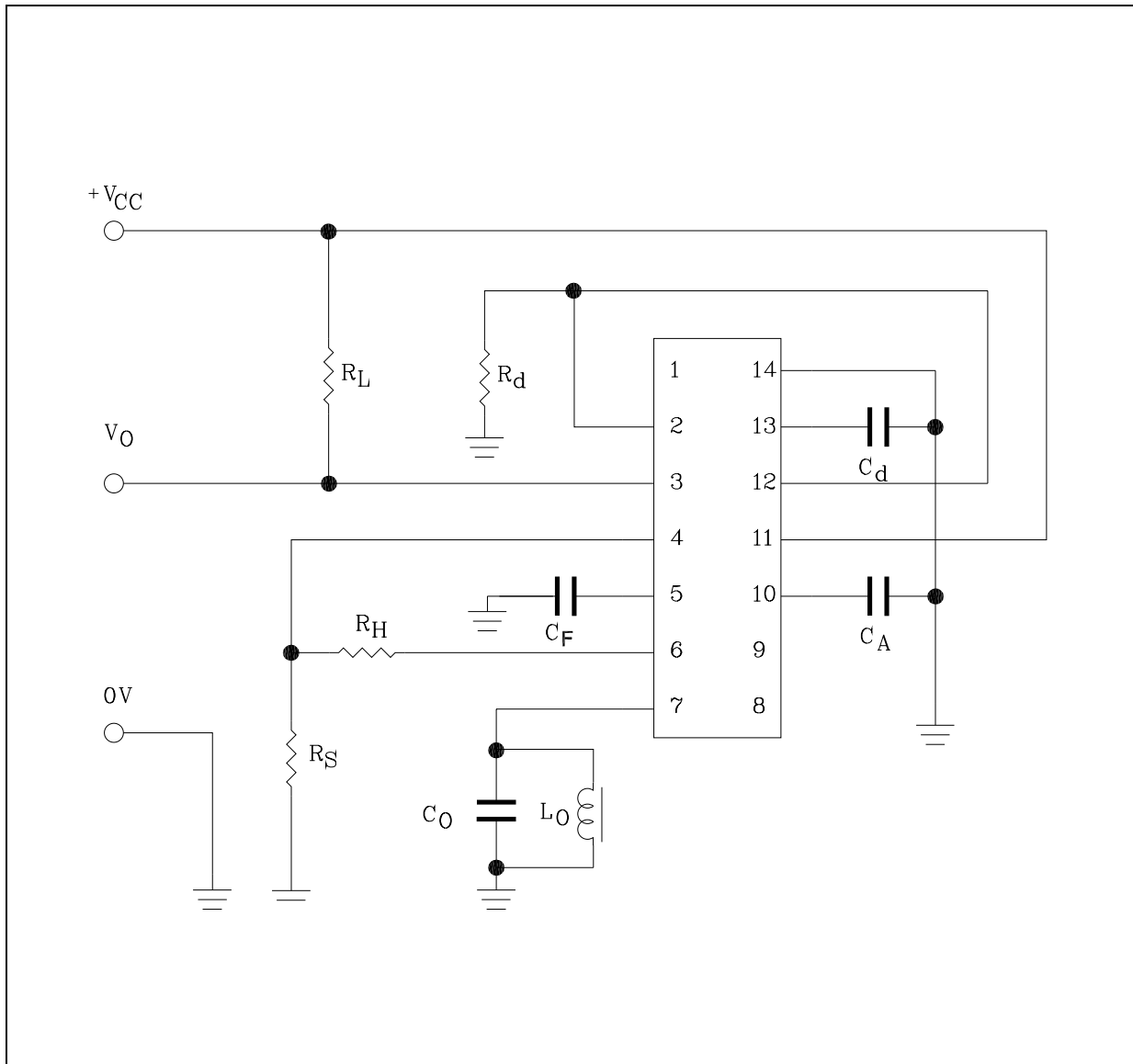


Figure 11. Application Scheme (C)

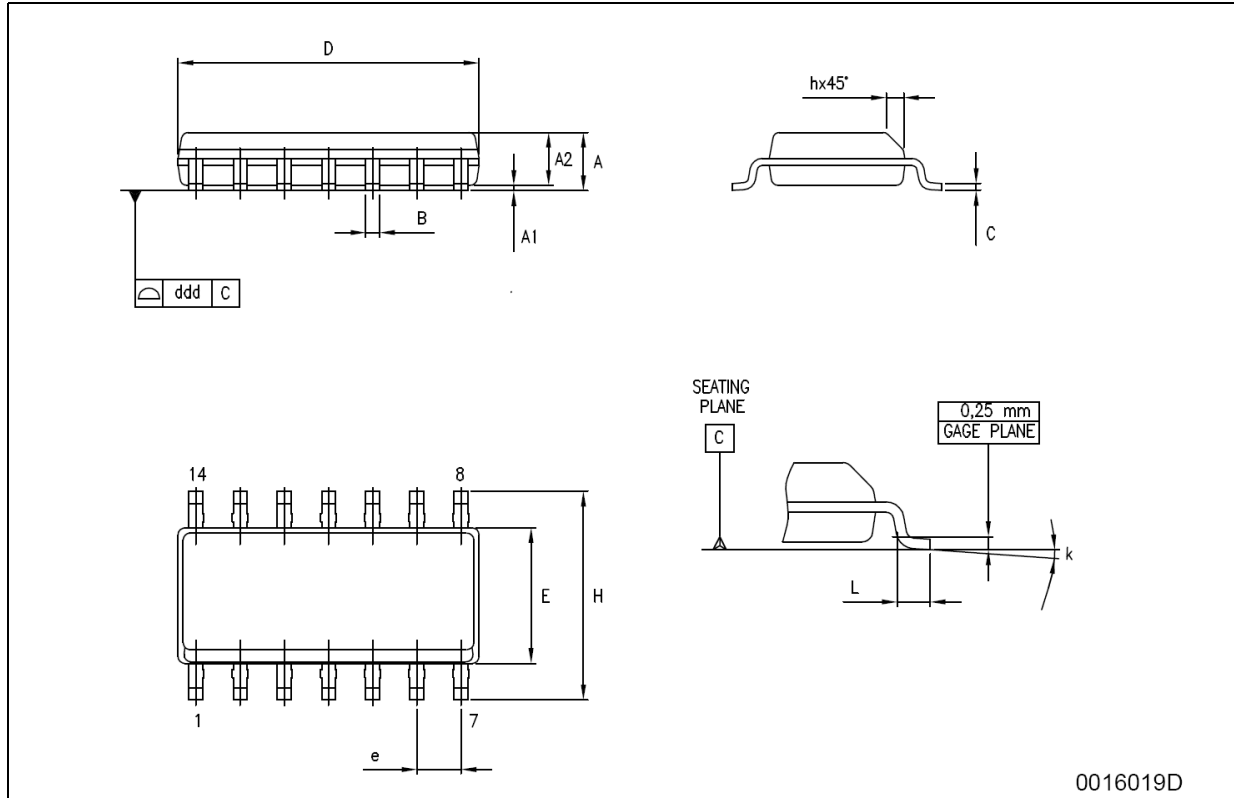


# 5 Package Mechanical Data

Table 4. SO14 Mechanical Data

Dim.	mm.			inch		
	MIN.	TYP	MAX.	MIN.	TYP.	MAX.
A	1.35		1.75	0.053		0.069
A1	0.1		0.25	0.004		0.010
A2	1.10		1.65	0.043		0.065
B	0.33		0.51	0.013		0.020
C	0.19		0.25	0.007		0.010
D	8.55		8.75	0.337		0.344
E	3.8		4.0	0.150		0.157
e		1.27			0.050	
H	5.8		6.2	0.228		0.244
h	0.25		0.50	0.010		0.020
L	0.4		1.27	0.016		0.050
k	0°		8°	0°		8°
ddd			0.100			0.004

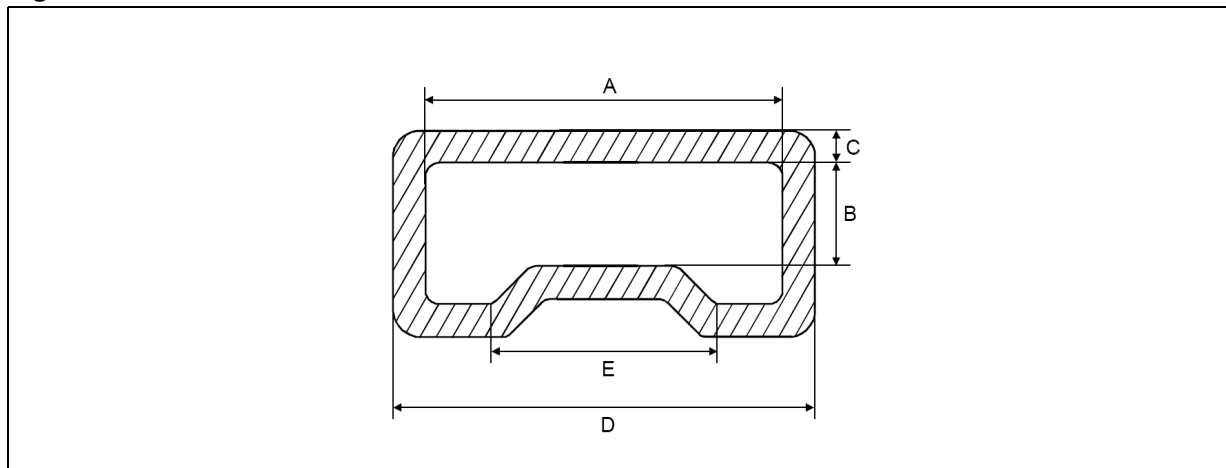
Figure 12. Package Dimension



**Table 5. Tube Shipment Information**

<b>Tube Mechanical Data</b>		
	<b>mm.</b>	<b>inch.</b>
A	6.60 ±0.10	0.260 ±0.004
B	1.90 ±0.10	0.075 ±0.004
C	0.60 ±0.10	0.024 ±0.004
D	7.80 ±0.10	0.307 ±0.004
E	4.30 ±0.10	0.169 ±0.004
BASE QUANTITY	100 pcs.	
BULK QUANTITY	2000 pcs.	

**Figure 13. Tube Dimension**



**Table 6. Tape & Reel Shipment Information**

TAPE MECHANICAL DATA		
	mm.	inch
D	1.50 +0.1/0	0.059 +0.004/0
E	1.75 ±0.1	0.069 ±0.004
Po	4.00 ±0.1	0.157 ±0.004
T max.	0.40	0.016
D1 min.	1.50	0.059
F	7.5 ±0.05	0.295 ±0.002
K max.	6.50	0.256
P2	2.00 ±0.05	0.079 ±0.002
R	40	1.575
W	16.00 ±0.30	0.630 ±0.012
P1	12.00	0.472
Ao, Bo, Ko	0.05 min to 0.90 max.	0.002 min to 0.035 max.

**Figure 14. Tape Specification**

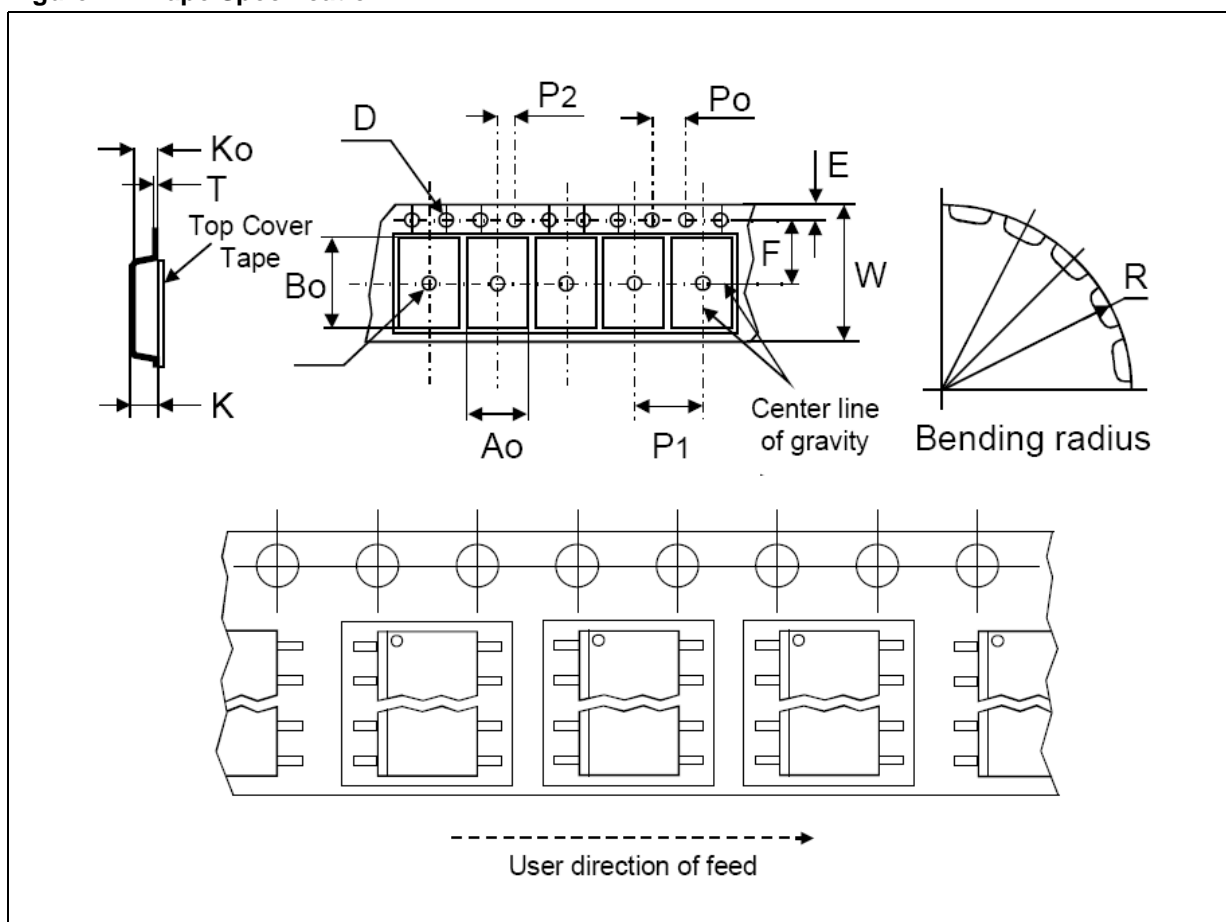
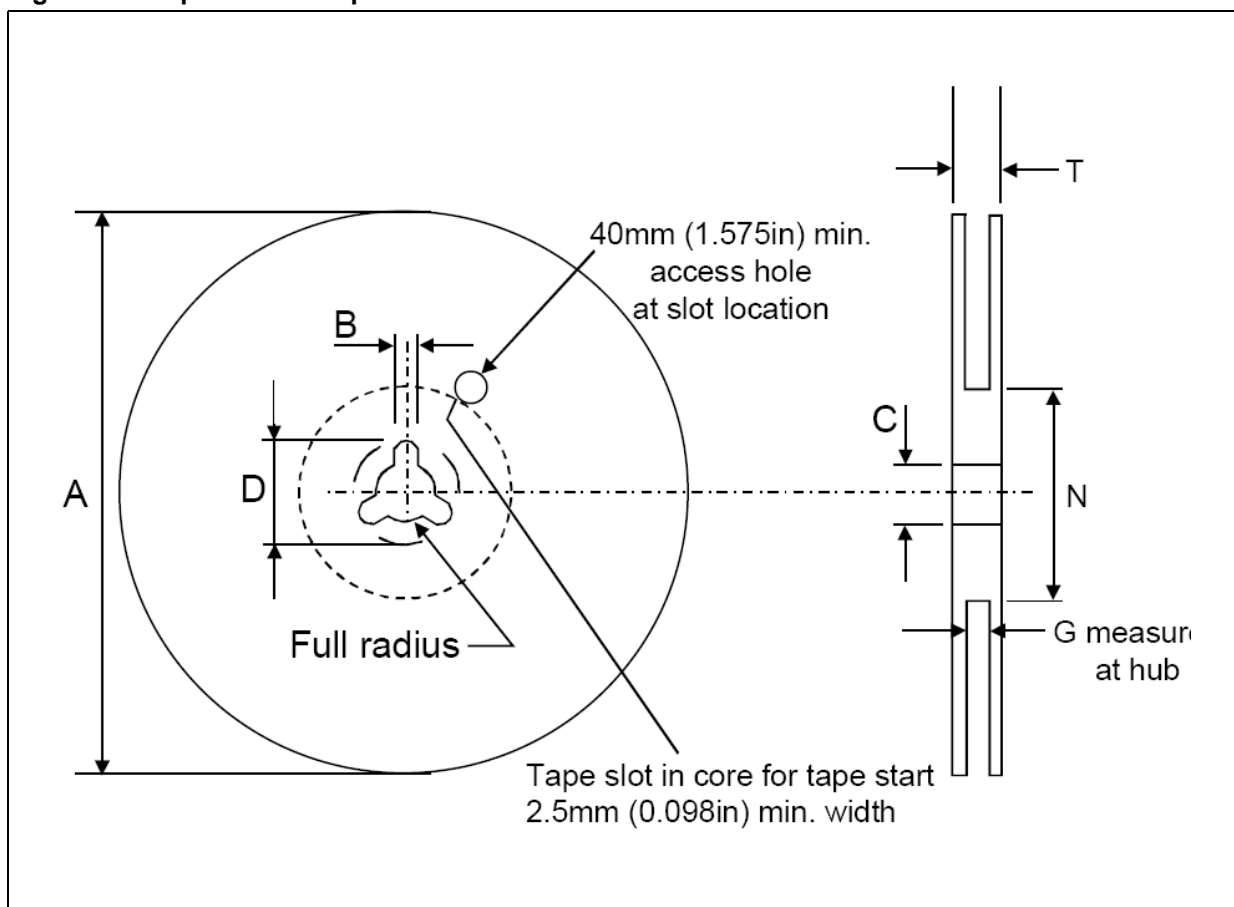


Table 7. Reel Mechanical Data

	mm.	inch
Tape size	16.0 ±0.30	0.630 ±0.012
A max.	330.0	12.992
B min.	1.5	0.059
C	13.0 ±0.20	0.512 ±0.008
D min.	20.2	0.795
N min.	60	2.362
G	16.4 +2/-0	0.646 +0.079/-0
T max.	22.4	0.882

Figure 15. Tape & Reel Shipment Information



## 6 Order codes

Part number	Temp range	Package	Packing
TDE0160FP	150°C	SO14	Tube
TDE0160FPT	150°C	SO14	Tape and Reel

## 7 Revision history

Date	Revision	Changes
18-Nov-2005	2	Final release.

Information furnished is believed to be accurate and reliable. However, STMicroelectronics assumes no responsibility for the consequences of use of such information nor for any infringement of patents or other rights of third parties which may result from its use. No license is granted by implication or otherwise under any patent or patent rights of STMicroelectronics. Specifications mentioned in this publication are subject to change without notice. This publication supersedes and replaces all information previously supplied. STMicroelectronics products are not authorized for use as critical components in life support devices or systems without express written approval of STMicroelectronics.

The ST logo is a registered trademark of STMicroelectronics.  
All other names are the property of their respective owners

© 2005 STMicroelectronics - All rights reserved

STMicroelectronics group of companies

Australia - Belgium - Brazil - Canada - China - Czech Republic - Finland - France - Germany - Hong Kong - India - Israel - Italy - Japan -  
Malaysia - Malta - Morocco - Singapore - Spain - Sweden - Switzerland - United Kingdom - United States of America

[www.st.com](http://www.st.com)