

FEATURES AND SPECIFICATIONS

Features and Benefits

- One panel cut-out to accept a wide variety of adapters
- Simplex and duplex styles available
- Shutter provides eye protection from laser radiation, as well as dust protection
- Easy removal for cleaning or replacement of adapters
- Adapters are mounted at an easy-to-access 60° angle

Applications

- Datacommunication networks
- Telecommunication networks
- Chassis-to-chassis connections

Reference Information

Housing: UL 94 V-0
Shutter: Yes



Bezel Adapter System



Molex's Bezel Adapter System provides multiple advantages when deploying various fiber optic adapters in equipment front and/or back panels. Available in simplex and duplex versions, these versatile bezels are designed to house a wide variety of adapters utilizing the same panel cutout. A hinged shutter is integrated on the bezel's front face to protect against laser radiation and dust contamination. Spring-

loaded shutters are also available with an optional push-tab on simplex versions. The push tab provides ease-of-use when opening the shutter in tight spaces. The complete bezel can be removed for cleaning the adapter or to change the style of adapter used in the panel.

Most bezel systems are provided preloaded with a specific adapter to ensure easy one piece installation into a panel.

*Simplex bezels can be ordered with metallized plastic housings and are available with metal hybrid ST¹/SC, SC/FC adapters, diecast LC duplex adapters, metallized plastic SC adapters or MTP[‡] adapters for high density fiber count applications. The duplex bezel accommodates the SC duplex style adapter. All adapters (except MTP) are available with ceramic or metal alignment sleeves.

¹The MTP adapters are not pre-loaded from the factory. Customers must assemble from the components provided in order to insert into a panel.

[‡]ST is a registered trademark of Lucent Technologies

[‡]MTP is a registered trademark of US Conec Ltd.

ORDERING INFORMATION

Bezel Adapter Systems

Part No.	Bezel Body	Bezel Style	Bezel Type	Mounting Style	Alignment Sleeve	Flange Style	Push Tab	Logo	Shutter	
86004-3078	Black	Simplex	LC Duplex Blue	Snap	Ceramic	Small	No	Yes	Single Side	
86004-3081			SC-ST Metal			Standard				
86004-3083			SC-FC Metal			Standard				
86004-3085			SC Black			Small				Yes
86004-3087			SC Red							
86004-3181			SC Duplex Black							
86004-3183		SC Duplex Blue	Metal			No				
86004-3278		LC Duplex Blue					Standard			
86004-3291		SC-ST Metal						Small		
86004-3293		SC-FC Metal								Yes
86004-3295		SC Black					Standard			
86004-3297		SC Red						Small		
86004-3276		LC Duplex Blue	No							
86004-3281		SC-ST Metal			Standard					
86004-3283		SC-FC Metal				Small				
86004-3285		SC Black					Yes			
86004-3287		SC Red			Standard					
86004-3079		LC Duplex Beige				Small				
86004-3080		SC-ST Metal	No							
86004-3082		SC-FC Metal			Standard					
86004-3084		SC Black				Small				
86004-3086		SC Red					Yes			
86004-3180		SC Duplex Black			Standard					
86004-3182		SC Duplex Blue				Small				
86004-3277		LC Duplex Beige	Yes							
86004-3279		LC Duplex Beige			Standard					
86004-3280		SC-ST Metal				Small				
86004-3282		SC-FC Metal					No			
86004-3284		SC Black			Standard					
86004-3286		SC Red				Small				
86004-3290		SC-ST Metal	Yes							
86004-3292		FC-SC Metal			Standard					
86004-3294	SC Black	Small								
86004-3296	SC Red			No						
86004-3088	MTP Black				Standard					
86004-3089	MTP Black	Small								
86004-3288	MTP Black		Yes							
86004-3289	MTP Black				Standard					
86004-3298	MTP Black	Small								
86004-3299	MTP Black			Yes						

Metallized Bezel Adapter Systems

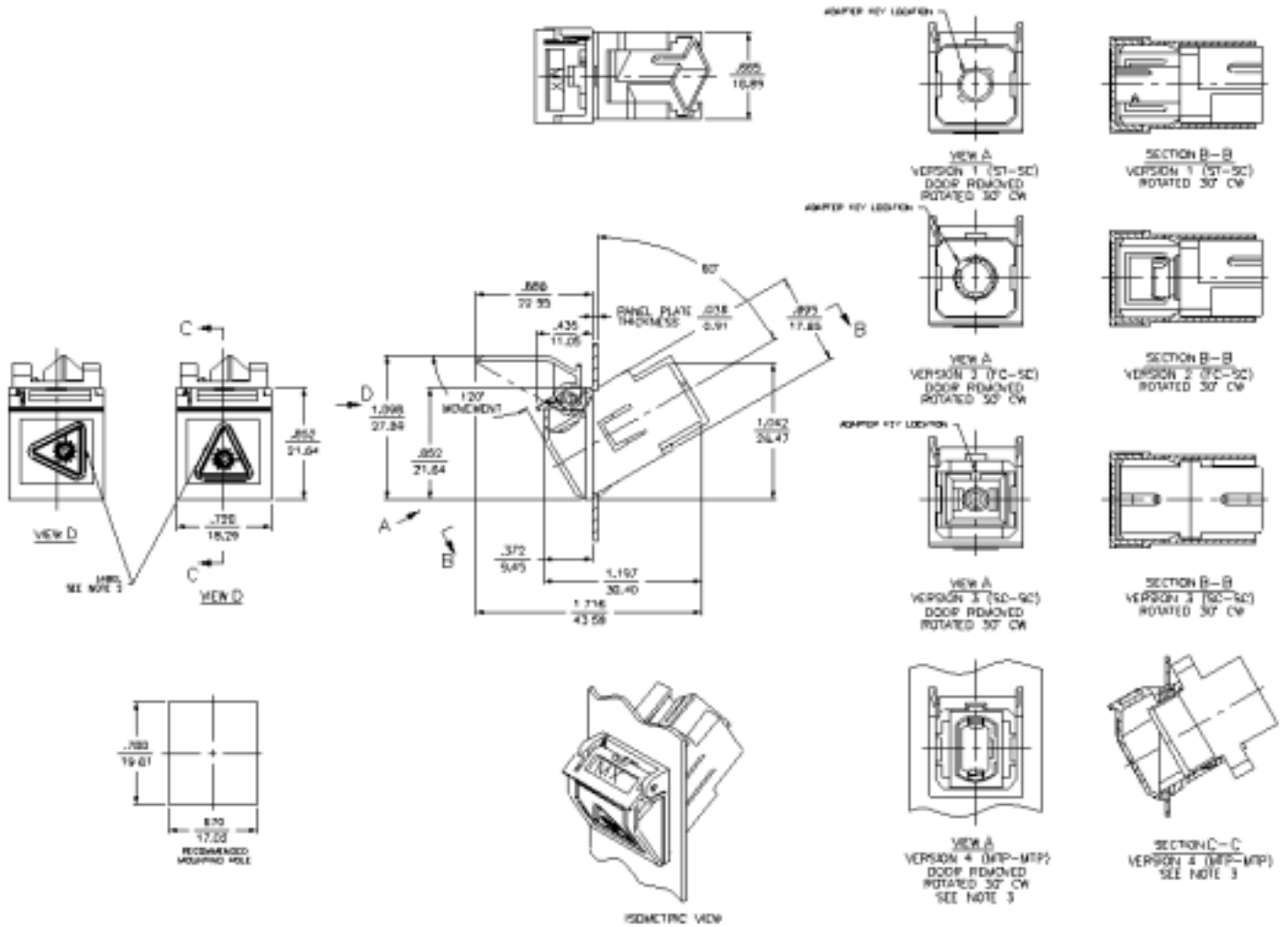
Part No.	Bezel Body	Bezel Style	Bezel Type	Mounting Style	Alignment Sleeve	Flange Style	Push Tab	Logo	Shutter				
86004-3185	Metallized	Duplex	SC Duplex Metal	Snap	Ceramic	Small	Yes	No	Single Side				
86004-3378		Simplex	LC Duplex Metal			Small							
86004-3381			SC-ST Metal			Standard							
86004-3383			SC-FC Metal			Standard							
86004-3385			SC Metal			Small							
86004-3576			LC Duplex Metal										
86004-3578			LC Duplex Metal										
86004-3581			SC-ST Metal			Standard							
86004-3583			SC-FC Metal			Standard							
86004-3585			SC Metal			Small							
86004-3591			SC-ST Metal			Standard							
86004-3593			SC-FC Metal			Standard							
86004-3595			SC Metal			Standard							
86004-3184			Duplex			SC Duplex Metal		Metal		Metal	Small	No	No
86004-3379			Simplex			LC Duplex Metal					Standard		
86004-3380						SC-ST Metal					Standard		
86004-3382		SC-FC Metal				Small							
86004-3384		SC Metal											
86004-3577		LC Duplex Metal											
86004-3579		LC Duplex Metal		Standard									
86004-3580		SC-ST Metal		Standard									
86004-3582		SC-FC Metal		Standard									
86004-3584		SC Metal		Small									
86004-3590		SC-ST Metal		Standard									
86004-3592		SC-FC Metal		Standard									
86004-3594		SC Metal		Small									
86004-3388		MTP Black		Standard	Standard	No	Yes						
86004-3389		MTP Black		Small	Standard	No							
86004-3588		MTP Black		Standard	Small	Yes							
86004-3589		MTP Black	Small										
86004-3599		MTP Black	Small	Small	No								

SPECIFICATIONS

Simplex and Duplex Bezels	
Polymer Black or Metallized Almond	Celanex ⁴
Pull Force	7 lbs. (Simplex)
Temperature Range	-40° to +80°C

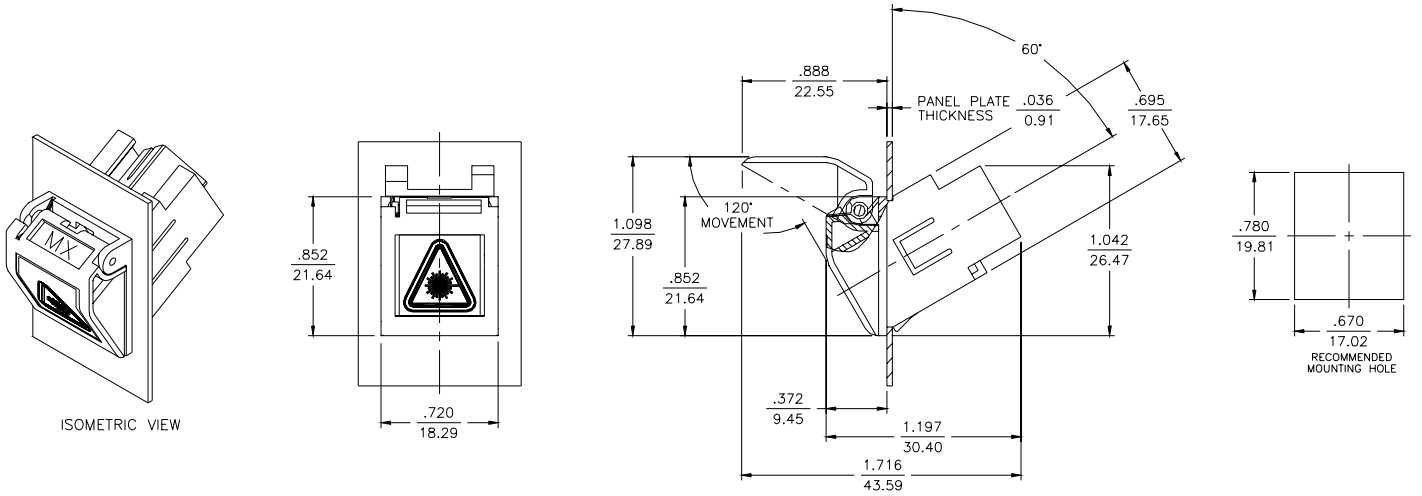
⁴Note: Additional colors are available. Please contact Inside Sales for more information.

SIMPLEX BEZEL ADAPTER WITH PUSH TABS



All Dimensions in **INCHES**
mm

SIMPLEX BEZEL ADAPTER



DUPLEX BEZEL ADAPTER

