

# PPC

## PPC-7615/7617/7619

### High Performance Panel PC

#### Features and Benefits:

- Support Intel® Core™ Duo / Core™ solo / Core™ 2 Duo / Celeron® M processor
- Supports Intel® 945GME + ICH7R chipset
- On-board IDE interface, Type II Compact flash slot
- Optional slim SATA CD-ROM or Combo or DVD R/W drive
- Stainless steel front bezel
- Optional 2 x PCI slot riser card



#### Protech Systems Co., Ltd.

No. 24, Lane 365, Yang Goang Street, Nei Hu District Taipei 114, Taiwan  
 TEL: +886-2-8751-1111 FAX: +886-2-8751-1199  
 E-mail: sales@protech.com.tw  
<http://www.protech.com.tw>

#### Protech Technologies Inc.

950 Fee Ana St, Suite B Placentia, CA 92870  
 TEL: +1-714-996-7200 FAX: +1-714-996-7300  
 Sales: sales@protech-usa.net  
<http://www.protech-usa.net>

#### Protech Japan Co., Ltd.

OSK Bldg, 6F, 6-25-14, Minami-ohi Shinagawa-ku, Tokyo, 140-0013  
 TEL: +81-3-5753-8411 FAX: +81-3-3763-9282  
 E-mail: sam@protech-j.com  
<http://www.protech-j.com>

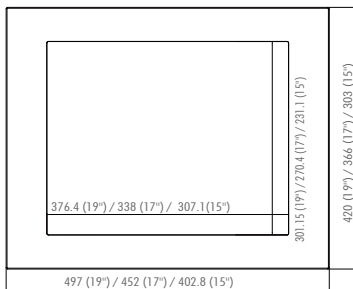


ISO CERTIFIED  
 9001 14001

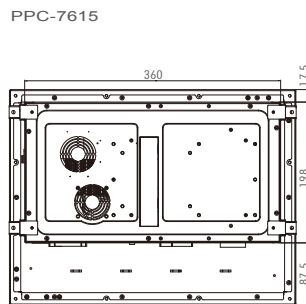
# PPC-7615 / PPC-7617 / PPC-7619

## High Performance Panel PC

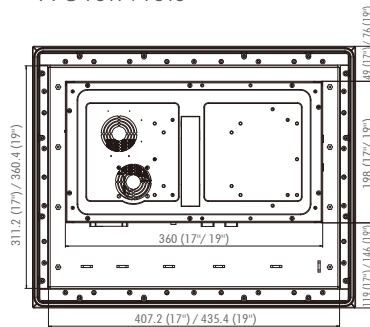
### Front View



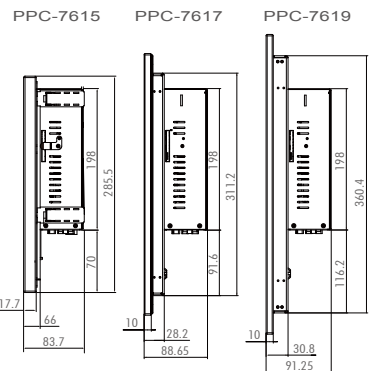
### Rear View



PPC-7617 / 7619



### Side View



Unit: mm

### Specification

#### Systems

<b>CPU Type</b>	Intel® Core™ Duo / Core™ solo / Core™ 2 Duo / Celeron® M
<b>Chipset</b>	Intel® 945GME + ICH7R + FWH (FSB: 533/667MHz)
<b>Memory Support</b>	2 x 200pin DDR II SO-DIMM, up to 4GB
<b>Front Bezel</b>	Stainless steel
<b>IP65</b>	Yes (for front panel only)
<b>Power Supply</b>	ATX 180W power supply
<b>O.S. Support</b>	Windows 7 / XP / XPE
<b>Dimension</b>	PPC-7015: 403 x 303 x 84 mm (15.87" x 11.93" x 3.31") PPC-7017: 452 x 366 x 89 mm (17.8" x 14.4" x 3.5")
<b>System Weight</b>	PPC-7015: 7.3 kg (16.09lb) PPC-7017: 9.5 kg (20.94lb)
<b>VESA Mounting Support</b>	75 mm / 100 mm VESA bracket (optional)
<b>Certificate</b>	FCC / CE / UL

#### I/O Ports

<b>USB</b>	4 x USB 2.0
<b>Keyboard / Mouse</b>	2 x PS/2 port
<b>Audio</b>	Line-in / Line-out / Mic in
<b>Serial Port</b>	4 x COM port (COM 1/3/4 for RS232, COM 2 for RS232 / 422 / 485, COM 3/4 support +5V, +12V selectable)
<b>LAN</b>	1 x LAN (10/100/1000 Mbps) (Intel® PC82573V)
<b>VGA</b>	1 x VGA

#### Drive Bay

2 x 2.5" SATA HDD, 1 x IDE CF slot on board, 1 x slim CD-ROM (optional)

#### Expansion Slots

2 x PCI slot (optional), 1 x mini PCI slot

#### Display

##### LCD

PPC-7015: AUO 15" XGA TFT LCD  
PPC-7017: AUO 17" SXGA TFT LCD

##### Touch Screen

(ELO) 5W Analog resistive (USB interface)

#### Environment

##### Operation Temp.

0° ~ 40°C (32° ~ 104°F)

##### Storage Temp.

- 20° ~ 60 °C (- 4° ~ 140°F)

##### Humidity

20% ~ 90%

#### Ordering Information

##### SP-7615RA-A0B

15" Intel® Core™ Duo / Core™ solo / Core™ 2 Duo / Celeron® M CPU + 945GM + ICH7R panel PC, w/AUO 15" 1024 x 768 LCD / 5-Wire ELO touch / 180W AC power supply

##### SP-7615RA-A0B

17" Intel® Core™ Duo / Core™ solo / Core™ 2 Duo / Celeron® M CPU + 945GM + ICH7R panel PC, w/AUO 17" 1280 x 1024 LCD / 5-Wire ELO touch / 180W AC power supply

##### SP-7915RZ-WL1

Wireless LAN module

##### SP-7615RZ-CR1

Slim SATA CD-ROM drive (with drive bay)

##### SP-7615RZ-DR2

Slim SATA DVD R/W drive (with drive bay)

##### SP-7615RZ-CR0

Slim SATA CD-ROM drive bay only

##### SP-7615RZ-RC1

Riser card for 2 PCI slots

All of trademarks and brand names are the property of their owners. Trademark "Protech" is the property of Protech Systems Co., Ltd. All information contained in this document is subject to change without any prior notice. This catalog is copyrighted in Dec. 2012.