

FEATURES

- HIGH RELIABILITY FOR LOW COST
- CHEAPEST AVAILABLE 5x3.2 MM CRYSTAL
- CERAMIC BODY WITH GLASS SEALED CERAMIC COVER
- EXCELLENT CLOCK SIGNAL GENERATUR FOR CPU'S



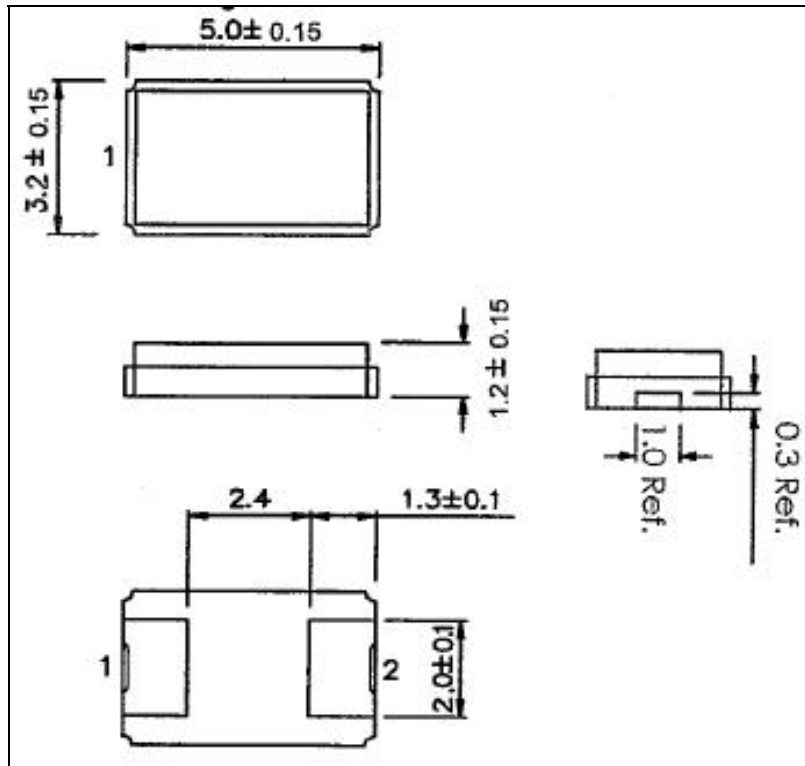
MINI-SMD-CRYSTAL SERIES SMD0503/2CC	5 x 3.2 x 1.2 mm with 2 solder pads
STANDARD FREQUENCIES	12.000 MHz; 14.31818 MHz; 20.000 MHz; 24.576 MHz; 25.000 MHz; 27.000 MHz; 30.000 MHz
FREQUENCY RANGE	OTHER FREQUENCIES AVAILABLE ON REQUEST
MODE OF VIBRATION	AT-FUNDAMENTAL
RESONANCE RESISTANCE	50 ~ 30 Ω max.
FREQUENCY TOLERANCE AT 25°C	≥+20 ppm
WORKING TEMPERATURE RANGE	0/+50°C ~ -20/+70°C
TEMPERATURE STABILITY	+30 ppm
STANDARD LOAD CAPACITANCE (OTHER CL ON REQUEST AVAILABLE)	12.000 MHz = 12pF; 16pF; 20pF
	14.31818 MHz = 12pF; 16pF; 20pF
	20.000 MHz = 12pF
	24.000 MHz = 12pF
	24.576 MHz = 16pF; 20pF
	25.000 MHz = 12pF; 20pF
	27.000 MHz = 20pF
SHUNT CAPACITANCE	7 pF max.
DRIVE LEVEL	100 μW standard (other drive levels are available on request)
AGING	+5 ppm per year
INSULATION RESISTANCE	>500 MΩ DC/100V +10%
STORAGE TEMPERATURE	-40/+85°C
RoHS	In accordance with the RoHS guideline 2002/95/EC, glass seal contain low share of Pb. Crystal is RoHS compliant.
DELIVERY FORM	Tape and Reel (1.000 pcs per reel)
<u>OTHER PARAMETERS ARE AVAILABLE ON REQUEST / CREATE HERE YOUR SPECIFICATION</u>	

PART NUMBERING SYSTEM

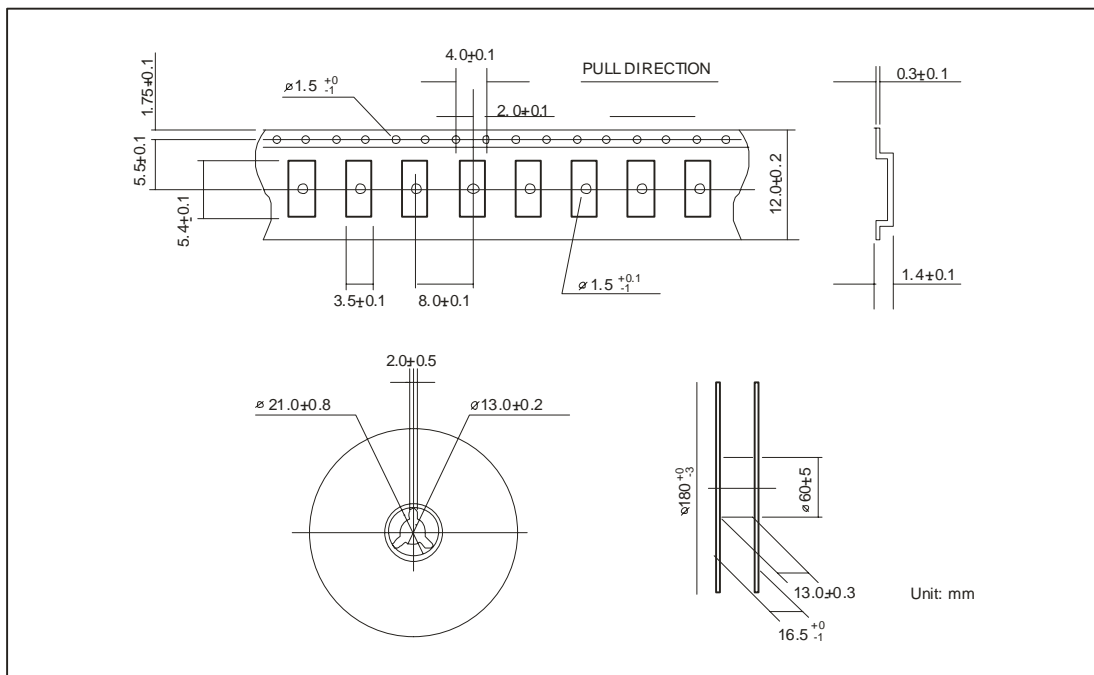
EXAMPLE	SMD0503/2CC 27.000 MHz 30/50/-20+70/20pF
----------------	--

TYPE	SMD0503/2CC
FREQUENCY	IN MHZ
FREQUENCY TOLERANCE AT 25°C	REQUIRED VALUE
TEMPERATURE STABILITY	REQUIRED VALUE
TEMPERATURE RANGE	REQUIRED VALUE
LOAD CAPACITANCE	REQUIRED VALUE

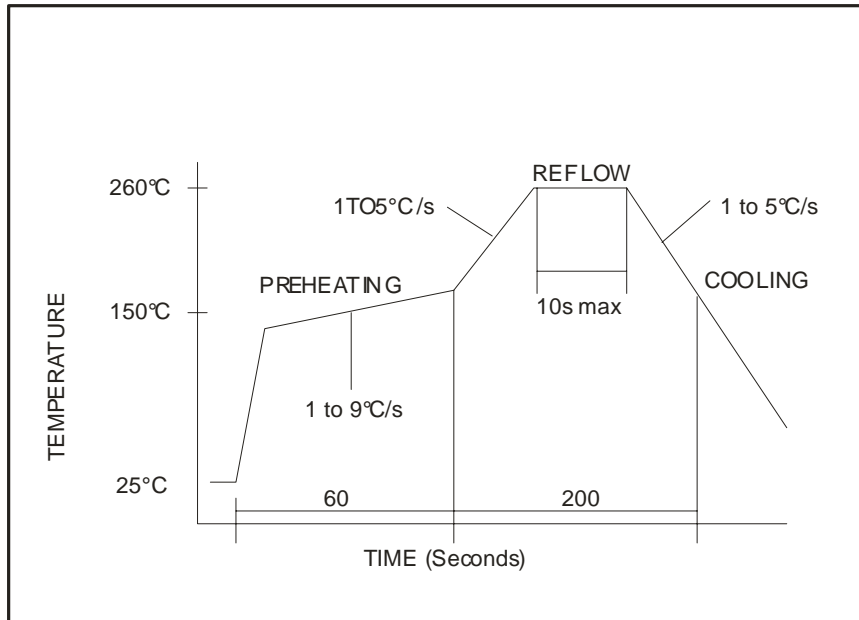
OUTLINE DRAWING



REEL SPECIFICATION



REFLOW SOLDER PROFILE



Crystals can be soldered according to the norm JEDEC J-STD-020C.