

**PLEASE CHECK WWW.MOLEX.COM FOR LATEST PART INFORMATION**

**Part Number:** [0050650040](#)  
**Status:** **Active**  
**Overview:** [cgrid\\_sl\\_products](#)  
**Description:** 2.54mm (.100") Pitch, SL™ Dual Row Wire-to-Wire Panel Mount, 40 Circuits

**Documents:**

[3D Model](#) [Drawing \(PDF\)](#)  
[Packaging Specification \(PDF\)](#) [RoHS Certificate of Compliance \(PDF\)](#)

**Agency Certification**

CSA LR19980  
 UL E29179

**General**

Product Family Accessories  
 Series [70022](#)  
 Component Type Branch  
 Overview [cgrid\\_sl\\_products](#)  
 Product Name SL™

**Physical**

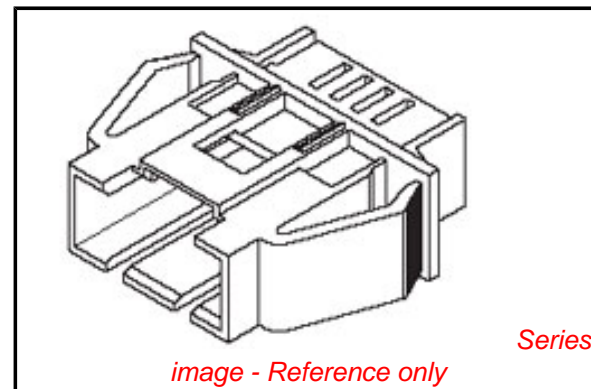
Circuits (Loaded) 40  
 Color - Resin Black  
 Flammability 94V-0  
 Lock to Mating Part Yes  
 Material - Resin Polyester  
 Packaging Type Bag

**Material Info**

Old Part Number 70022-0005

**Reference - Drawing Numbers**

Packaging Specification PK-70022-100  
 Sales Drawing SD-70022-\*\*\*\*



**EU RoHS**

**ELV and RoHS  
 Compliant**  
**REACH SVHC**  
 Not Reviewed  
**Halogen-Free  
 Status**  
**Not Reviewed**

**China RoHS**



**Need more information on product  
 environmental compliance?**

Email [productcompliance@molex.com](mailto:productcompliance@molex.com)  
 For a multiple part number RoHS Certificate of  
 Compliance, [click here](#)

Please visit the [Contact Us](#) section for any  
 non-product compliance questions.

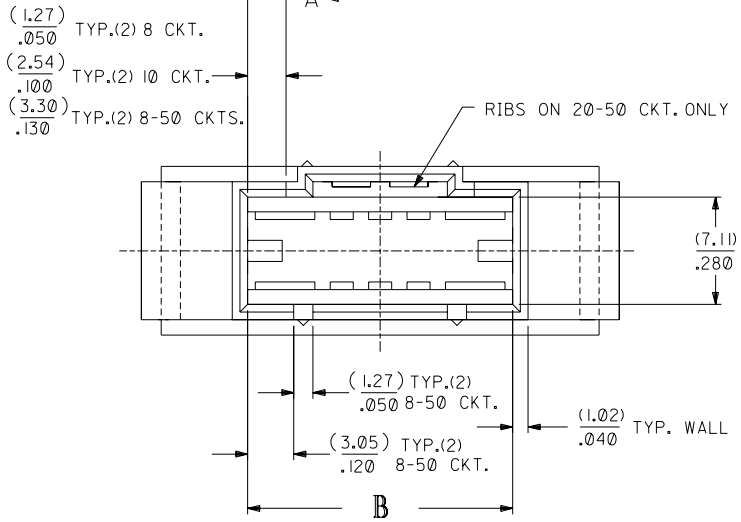
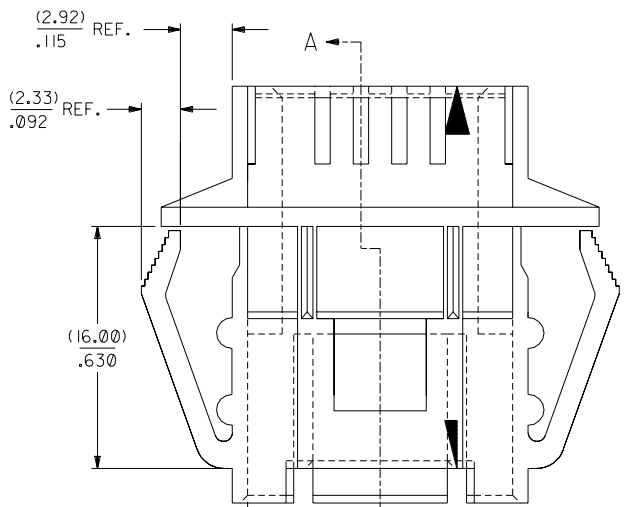
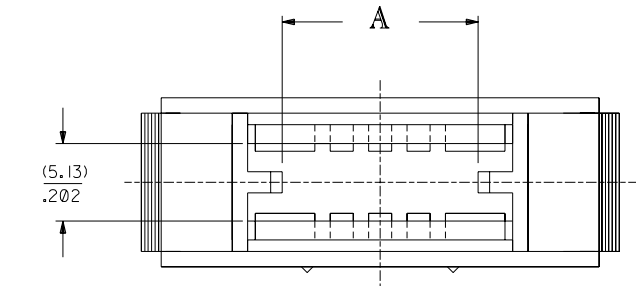
**Search Parts in this Series**

[70022Series](#)

**Use With**

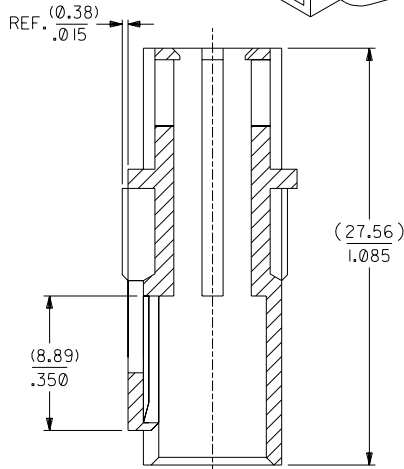
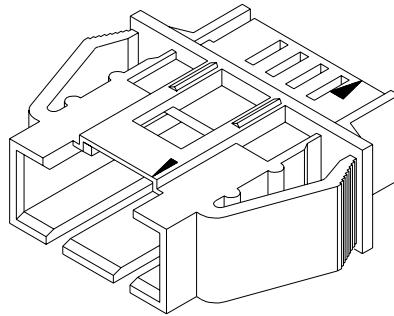
[70066](#) SL™ Crimp Housing. [70475](#) SL™  
 IDT Connector Assembly. [70431](#) SL™ FFC/  
 FPC Connector

OPTION "A"

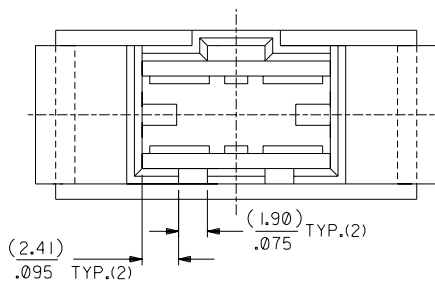


NOTES:

- 1) MATERIAL: POLYESTER 94V-0, GLASS FILLED, COLOR: BLACK
- 2) SEE CHART FOR CIRCUIT SIZES.
- 3) HOUSING TO BE USED WITH 70475 SERIES HOUSINGS (OPTION D) AND DUAL ROW INTERIM CLIP 70013-N\*. SEE PAGE 2 FOR ADDITIONAL 50 CIRCUIT, OPTION "A" MATING INTERIM CLIPS.
- 4) PANEL THICKNESS (0.81)/.032 - (2.36)/.093.
- 5) PACKAGE PER PK-70022-100.



SECTION A-A



6 CIRCUIT

OPTION "A"

CKT. SIZE	EDP. NO.	ENG. NO.	DIM. "A"	DIM. "B"
4	NOT TOOLED	X-70022-0009	(5.21) .205	(9.91) .390
6	50-65-0006	70022-0001	(7.75) .305	(12.45) .490
8	50-65-0008	70022-0007	(10.29) .405	(14.99) .590
10	50-65-0010	70022-0002	(12.83) .505	(17.53) .690
12	50-65-0012	70022-0012	(15.37) .605	(20.07) .790
14	50-65-0014	70022-0014	(17.91) .705	(22.61) .890
16	50-65-0016	70022-0016	(20.45) .805	(25.15) .990
18	50-65-0018	70022-0018	(22.99) .905	(27.69) 1.090
20	50-65-0020	70022-0003	(25.53) 1.005	(30.23) 1.190
22	50-65-0022	70022-0022	(28.07) 1.105	(32.77) 1.290
24	50-65-0024	70022-0024	(30.61) 1.205	(35.31) 1.390
26	50-65-0026	70022-0026	(33.15) 1.305	(37.85) 1.490
28	50-65-0028	70022-0028	(35.69) 1.405	(40.39) 1.590
30	50-65-0030	70022-0004	(38.23) 1.505	(42.93) 1.690
32	50-65-0032	70022-0032	(40.77) 1.605	(45.47) 1.790
34	50-65-0034	70022-0034	(43.31) 1.705	(48.01) 1.890
36	50-65-0036	70022-0036	(45.85) 1.805	(50.55) 1.990
38	50-65-0038	70022-0038	(48.39) 1.905	(53.09) 2.090
40	50-65-0040	70022-0005	(50.93) 2.005	(55.63) 2.190
42	50-65-0042	70022-0042	(53.47) 2.105	(58.17) 2.290
44	50-65-0051	70022-0044	(56.01) 2.205	(60.71) 2.390
46	50-65-0046	70022-0046	(58.55) 2.305	(63.25) 2.490
48	50-65-0048	70022-0048	(61.09) 2.405	(65.79) 2.590
50	50-65-0050	70022-0006	(63.63) 2.505	(68.33) 2.690

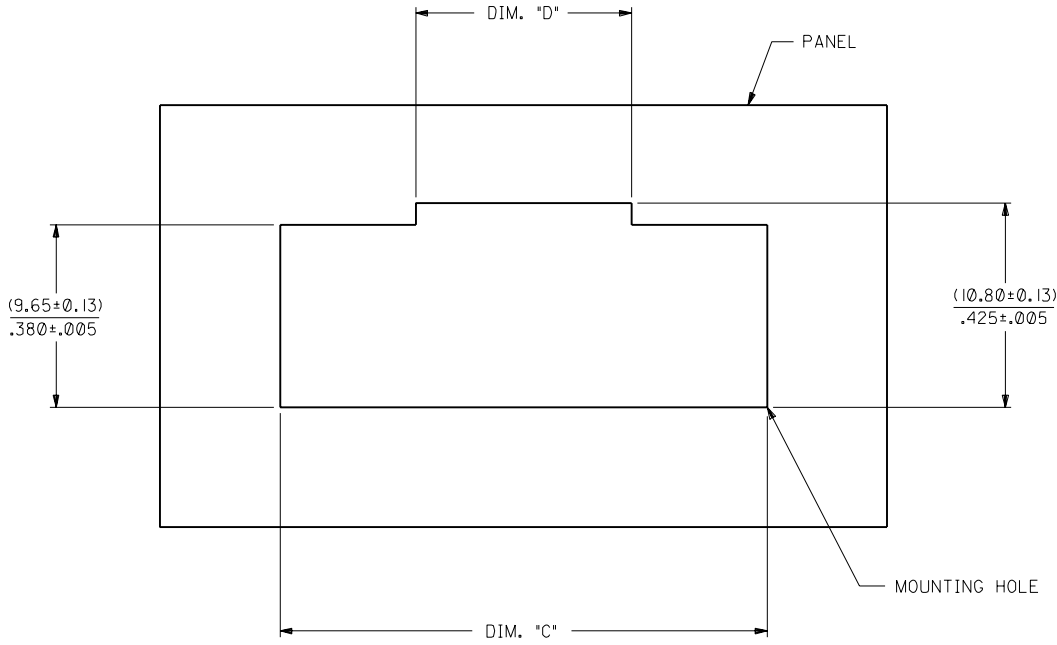
3	P
2	P
1	O
	REV.

Q	ADD EJECTOR BUMPS UCP2004-1610 RWHITE 04/02/23	NI	ADDED SHEET 4 50 CKT KEYING OPT ENC = U80986 11/17/97 - HPA
P	VOID OPTION B ECN UDT2001-0578 SCHAFFER 00/12/5	N	REVISED PER ECN# U10463 1-11-91 MGB
O	ADD PKG NOTE PER UDT2000-0468 SCHAFFER 99/12/1	M	RELACES SD-70022 -0001-0048 PER ECR = U00500 06-28-90 MJM/DJK
LTR.	REVISIONS	LTR.	REVISIONS

DIMENSIONS SHOWN (METRIC) INCH	
UNLESS OTHERWISE SPECIFIED TOLERANCES: ANGULAR ± 1/2°	
3 PLACE ± .010	---
2 PLACE ± .014	± 0.25
1 PLACE ---	± 0.35
DRAFT WHERE APPLICABLE MUST REMAIN WITHIN DIMENSIONS	
DRWG. BY: DJK	CHK'D. BY: MJM
APP'D. BY: MJM	SCALE: 4:1

= 0     = 0    REVISE ONLY ON CAD SYSTEM  
 TITLE: HOUSING, PANEL MOUNT (DUAL ROW) (OPT. D HSG. TO DUAL ROW CLIP)  
 MOLEX INCORPORATED    SHEET NO. 1 of 3    DATE 06/28/90  
 LITTLE, ILL. 60532 U.S.A.  
 SEE CHART    SD-70022-\*\*\*\*  
 FILE NAME: S70022X3.DWG    DIV. DA    SIZE C

CKT. SIZE	DIM. "C" ±(0.13)/.005	DIM. "D" ±(0.13)/.005
4	(18.16) .715	(8.64) .340
6	(20.70) .815	(8.64) .340
8	(23.24) .915	(8.89) .350
10	(25.78) 1.015	(11.43) .450
12	(28.32) 1.115	(13.97) .550
14	(30.86) 1.215	(16.51) .650
16	(33.40) 1.315	(19.05) .750
18	(35.94) 1.415	(21.59) .850
20	(38.48) 1.515	(24.13) .950
22	(41.02) 1.615	(26.67) 1.050
24	(43.56) 1.715	(29.21) 1.150
26	(46.10) 1.815	(31.75) 1.250
28	(48.64) 1.915	(34.29) 1.350
30	(51.18) 2.015	(36.83) 1.450
32	(53.72) 2.115	(39.37) 1.550
34	(56.26) 2.215	(41.91) 1.650
36	(58.80) 2.315	(44.45) 1.750
38	(61.34) 2.415	(46.99) 1.850
40	(63.88) 2.515	(49.53) 1.950
42	(66.42) 2.615	(52.07) 2.050
44	(68.96) 2.715	(54.61) 2.150
46	(71.50) 2.815	(57.15) 2.250
48	(74.04) 2.915	(59.69) 2.350
50	(76.58) 3.015	(62.23) 2.450



OPTION "A"  
RECOMMENDED MOUNTING  
HOLE LAYOUT

P	SEE SHEET I
M	SEE SHEET I

DIMENSIONS SHOWN (METRIC) INCH		▽ = 0		▽ = 0		REVISE ONLY ON CAD SYSTEM	
UNLESS OTHERWISE SPECIFIED TOLERANCES ANGULAR ± 1/2°		TITLE		HOUSING, PANEL MOUNT (DUAL ROW) (OPT. D HSG. TO DUAL ROW CLIP)		SHEET NO. 3	
3 PLACE ± --- ---		INCH		METRIC		DATE 06/28/90	
2 PLACE ± --- ± ---		1 PLACE --- ± ---		DRAFT WHERE APPLICABLE MUST REMAIN WITHIN DIMENSIONS		MOLX INCORPORATED U.S.A.	
DRAWN BY DJK		CHK'D BY MJM		PART NO. S70022X5		DRWG. NO. SD-70022-0000	
APP'D BY MJM		SCALE --- : ---		SEE CHART		THIS DRAWING CONTAINS INFORMATION THAT IS PROPRIETARY TO MOLEX INC. AND SHOULD NOT BE USED WITHOUT WRITTEN PERMISSION	
DIV. 865		DIV. 865		DIV. DA		SIZE C	

70022