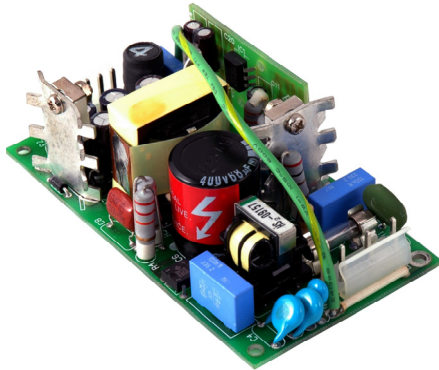


TOTAL POWER INT'L

UNIVERSAL INPUT AC-DC PCB OPEN FRAME SINGLE & DUAL OUTPUT 10 WATTS INTERNAL SWITCHING POWER SUPPLIES TPVI10 SERIES



FEATURES:

- ACCOMMODATE UNIVERSAL AC SOURCES
- COMPACT PCB OPEN FRAME FORMAT
- MEET UNIVERSAL SAFETY STANDARDS
- EMI MEET CISPR PUB. 22 & FCC CLASS B
- CE MARKING COMPLIANCE

SPECIFICATION

INPUT SPECIFICATION

Input Voltage: Range Typ. 90-264Vac.
Rating 100 to 240Vac.

Input Connector: Molex # 5273.

Input Frequency: 47-63Hz.

Inrush Current: Typ. 20A @230Vac.

Input Current: Typ. 0.3A @115Vac, 0.15A @ 230Vac.

Dielectric Withstand: Meet IEC 60950-1.

EMI: Meet CISPR PUB.22 & FCC Class B.

Hold-up Time: Typ. 20mS @115Vac, 80mS @230Vac.

Earth leakage: Typ. 0.3mA @230Vac.

OUTPUT SPECIFICATION

Output Voltage: See Ratings Chart.

Output Current: See Ratings Chart.

Output Wattage: Typ. 10 watts.

Output Connector: Molex # 5273.

Line Regulation: Typ. 0.1%.

Load Regulation: Main VO1 typ. $\pm 1-1.5\%$.
Aux. VO2 typ. $\pm 1-2\%$. (P.R.)

Noise & Ripple: Typ. 1.0% peak to peak.

OVP: Built-in at main output VO1.

Adjustability: Available at main output VO1.

Overload Protection (OLP):
Fully protected against output overload and short circuit.
OLP set at about 125-150% rating output wattage.
Consult the factory for OLP setting.

GENERAL SPECIFICATION

Efficiency: Typ. 65%.

Switching Frequency: Typ. 55K Hz at 115Vac.

Circuit Topology: Free-running flyback circuit.

Transient Response: Output voltage returns in less than 3mS following a 25% load change.

Safety Standard: IEC 60950-1/UL 60950-1 Class I.

Operating Temperature: 0 to +50°C.

Storage Temperature: -20 to +85°C.

Temperature Coefficient: Typ. 0.04%/°C.

Cooling: Free air convection.

Construction: PCB open frame format.

Power Density: 0.89Watts / Cubic Inch.

Note: Due to requests in market and advances in technology, specifications subject to change without notification.



OUTPUT VOLTAGE / CURRENT RATINGS CHART

SINGLE OUTPUT

MODEL NO.	MAIN VO1 @★		
	Typ.	Volt.	Max.
TPVI10-10	2.0A	5.0V	3.00A
TPVI10-11	1.0A	12.0V	1.50A
TPVI10-12	0.7A	15.0V	1.20A
TPVI10-13	0.5A	24.0V	0.75A

DUAL OUTPUT

MODEL NO.	MAIN VO1 @★◇			AUX. VO2 ●◇		
	Typ.	Volt.	Max.	Typ.	Volt.	Max.
TPVI10-20	1.7A	5.0V	2.5A	0.3A	5.0V	0.5A
TPVI10-21	1.0A	5.0V	2.0A	0.5A	12.0V	0.5A
TPVI10-22	1.0A	5.0V	2.0A	0.4A	15.0V	0.5A
TPVI10-23	1.0A	5.0V	2.0A	0.2A	24.0V	0.3A

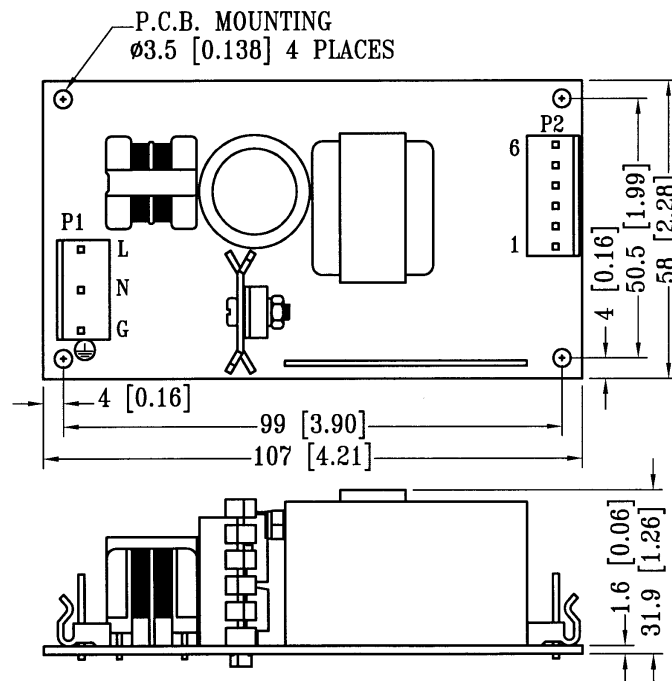
Symbol: "★" OVP built-in. "@" Adjustable. "◇" Floating (or isolated) output.

"●" Installed with Post Regulator. (P.R.)

Remark: (1) At least 20% of typical main output current is required to maintain stated regulation.
 (2) Peak output, less than 60 Sec. with 10% duty cycles.
 (3) Max. current can't be drawn from all output at the same time.

MECHANICAL DIMENSIONS: MM [INCHES]

WEIGHT: 158.0 g (5.57 Oz.)



INPUT & OUTPUT CONNECTORS PIN ASSIGNMENT

ASSIGNMENT CONNECTOR & PIN #	AC INPUT			SINGLE/DUAL OUTPUT			
	AC-LINE	AC-NEUTRAL	AC-GROUND	-VO1	+VO1	-VO2	+VO2
	P1-L	P1-N	P1-G	P2-1,2	P2-3,4	P2-5	P2-6

Mating connector: Molex 5195 or 5239 series.