

Operation: DIP/直立式 (5PIN) MINI-USB 连接器



LTEM NO.: CZ-522 (Series)

(L7.5×W3.7×H9.2 DC-CONNECTORS)

表面插装 DIP

正向操作

精密部品

STABILIZE

適合環保 RoHS



Technical parameter

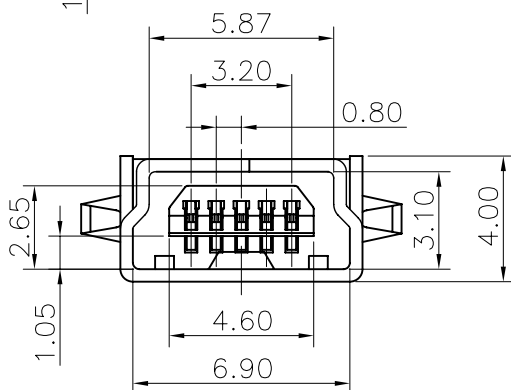
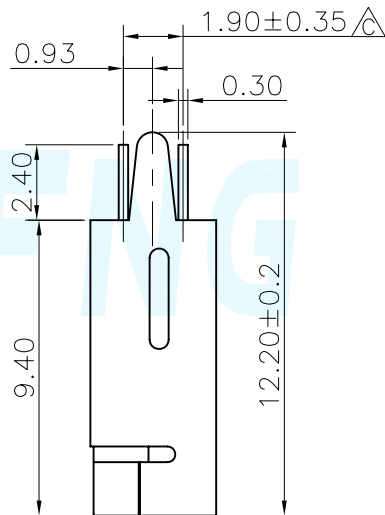
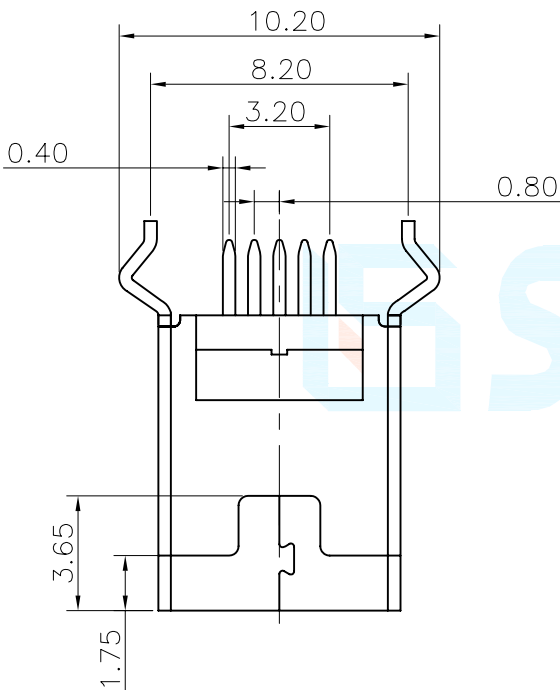
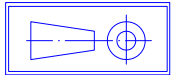
PROJECT	LEVEL	A[better product]	B[average product]
Electrical Properties	Contact Rating	25mA, 24V DC	
	Initial Contact Resistance	50mΩ max.	
Durable Performance	Insulation Resistance	100MΩ min.500V DC	Skey/PD: 100MΩ min.300V DC
	Withstand Voltage	500V AC for 1 minute	350 V AC for 1 minut
	There No Load	6,000 Cycles	5,000 Cycles
	Rated Load	5,000 Cycles	4,000 Cycles
Storage temp.		-35℃~+75℃(Operating Temp:)	
Operating Force		IF:35N MAX. (EF:10.0N MIN.)	
Heat Rrsistance		IR Reflow:255℃, 5sec. Manual:350℃, 3sec.	

Material declaration		
No.	NAME	Description
① A	基座	LCP (Gray) 耐高温塑胶 UL94V-0
② B	外壳	黄铜 C2680/SPCC [镀锡 50u" min]
③ C	动态端子	磷铜 C5191 [锡基镀金/S1]
④ D	腹膜层	KTC 聚酰亚胺 Polyimide

CIRCUIT DIAGRAM

1	V BUS	+5V
2	-DATA 0	Neagative Data Channel 0
3	+DATA 0	Positive Data Channel 0
4	ID	OTG
5	GND	Ground

Unit:mm



P.C.B LAYOUT

