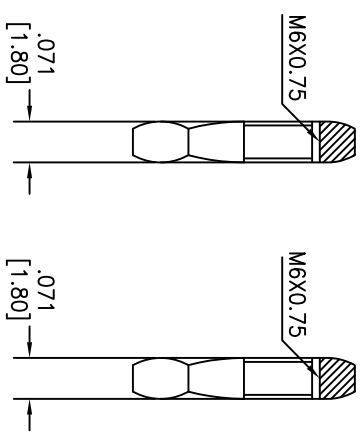
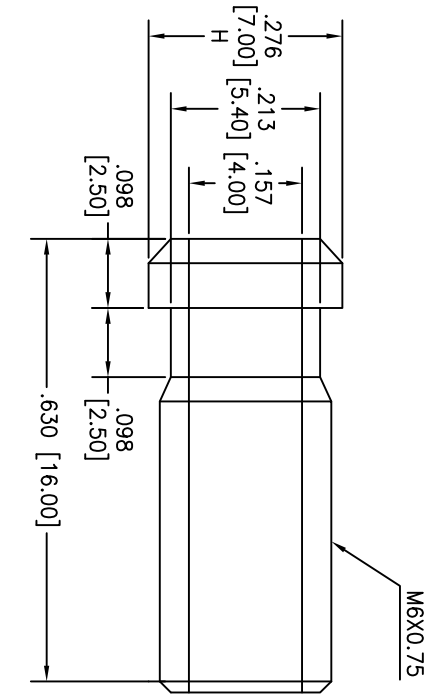


Rev	AWO #	Description	Date	Appr
-		RELEASED	3/11/11	

6 5 4 3 2 1

APPROVED: _____
 DATE: _____ TITLE: _____



D C B A

SPECIFICATIONS:

Material:
 Body: Brass, Nickel plated
 Nut: Brass, Nickel plated
 Environmental:
 Lead free, RoHS compliant.



UNLESS OTHERWISE SPECIFIED ALL DIMENSIONS ARE INCHES [MM]	
TOLERANCES: EXCEPT AS NOTED	
INCHES	HOLES
.X ± .10	ØXX ± .10
.XX ± .020	ØXXX ± .015
.XXX ± .015	ØXXXX ± .010
APPROVALS	DATE
DRAWN	DY
CHECKED	3/11/11
APPROVED	

ADAM TECH
 909 Rahway Avenue, Union, NJ 07083
 Phone: 908-687-5000 Fax: 908-687-5710

TITLE SCREW	
SIZE	PART NO.
X	HDW-086
REF: S0004GT	SCALE: NTS
SHEET 1 OF 1	REV: -

6 5 4 3 2 1